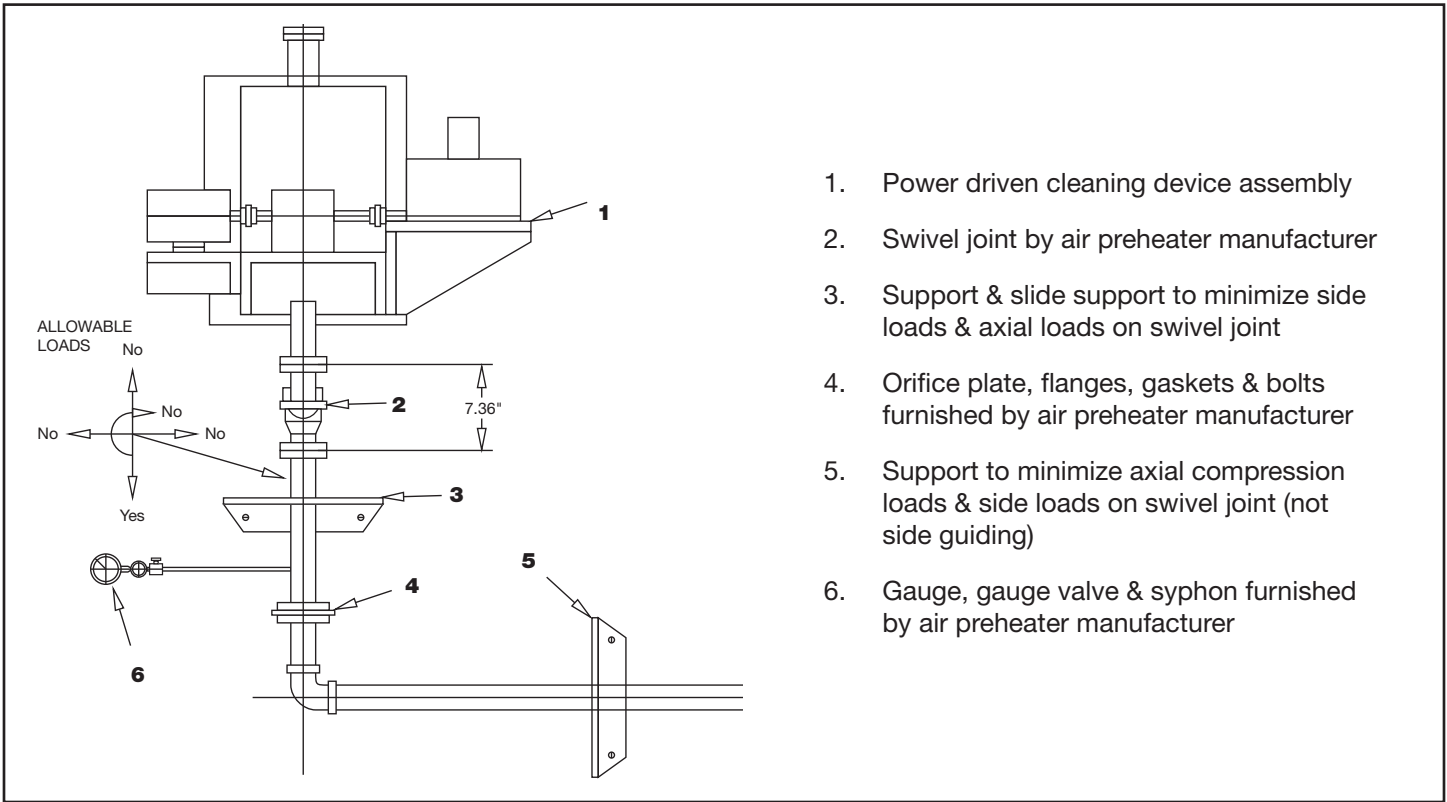


DEUBLIN® Swivel Joint Installation & Soot Blower Pipe Supports



1. Power driven cleaning device assembly
2. Swivel joint by air preheater manufacturer
3. Support & slide support to minimize side loads & axial loads on swivel joint
4. Orifice plate, flanges, gaskets & bolts furnished by air preheater manufacturer
5. Support to minimize axial compression loads & side loads on swivel joint (not side guiding)
6. Gauge, gauge valve & syphon furnished by air preheater manufacturer

Pipe anchors, expansion joints, and alignment guides must be located so that only axial movement, away from the swivel joint is permitted. Movement other than away from the swivel joint will strain the joint and cause leakage.

Loads = Dead Weight Load and/or Thermal Expansion of Pipe.

Supporting brackets, pipe valves, and fittings furnished by others.

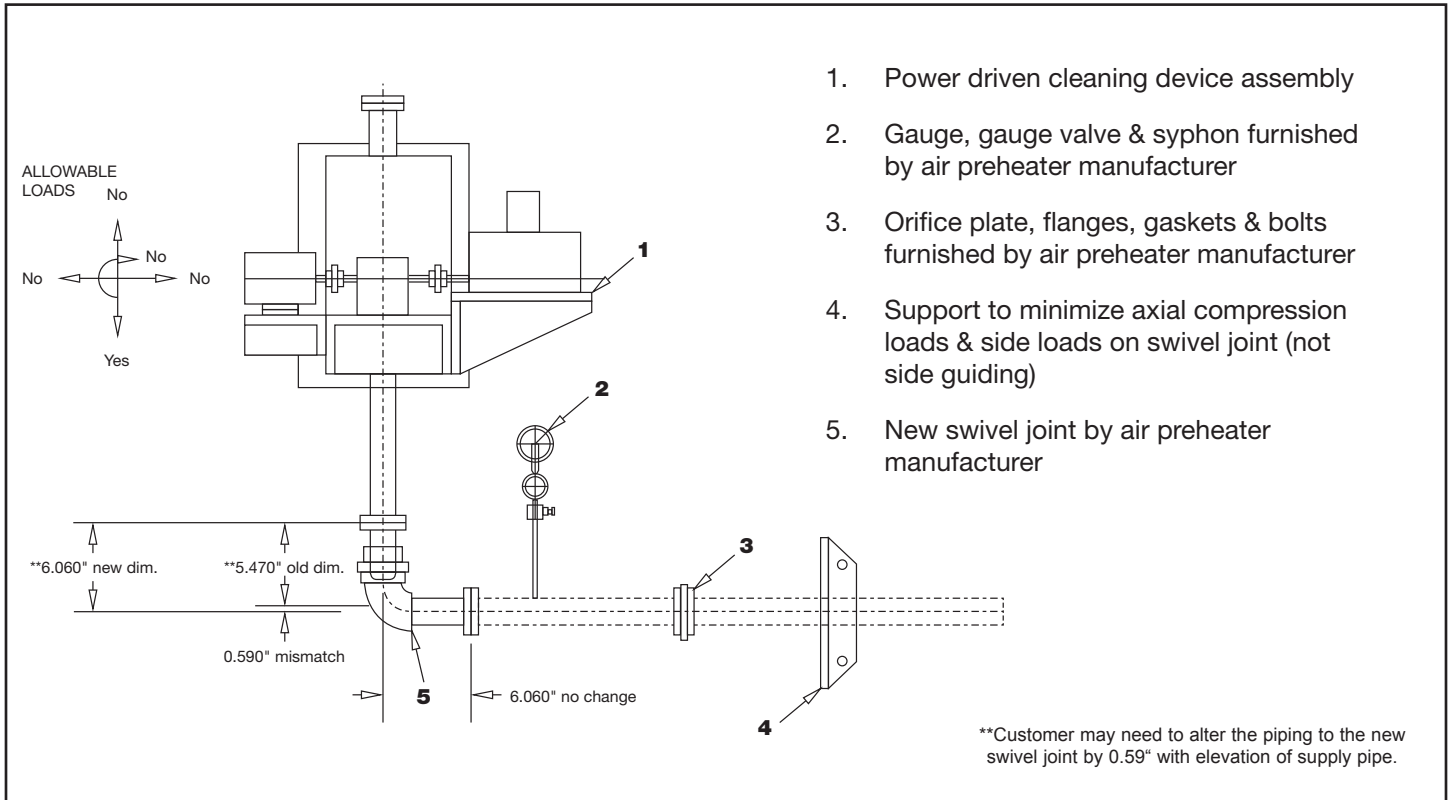
RECHARGE PROCEDURE:

- A. Important: Shut off steam or air and relieve system pressure
- B. Remove one (1) socket head set screw from port located in the casing O.D. Drop (1) graphite pellet into the port. Repeat with the remaining three ports.
- C. Tighten socket head set screws to approximately 10 ft. lbs. torque. If torque value is not reached, repeat Step B. Socket head set screws should be flush to 1/8 inch above casing.
- D. Reapply steam or air pressure. If leakage reoccurs, repeat steps A, B, and C. If leakage persists, joint may need to be replaced.

GRAPHITE PELLETS – RECHARGE KITS

Part No.	Oz.	Lbs.	Approx. No. of Pellets
10-64335-00	2	.13	96

DEUBLIN® 90° Swivel Joint Installation & Soot Blower Pipe Supports



Pipe anchors, expansion joints, and alignment guides must be located so that only axial movement, away from the swivel joint is permitted. Movement other than away from the swivel joint will strain the joint and cause leakage.

Loads = Dead Weight Load and/or Thermal Expansion of Pipe.

Supporting brackets, pipe valves, and fittings furnished by others.



2050 Norman Drive, Waukegan, IL 60085-6747 USA
Phone: +1 847 689-8600 | Fax: +1 847 689-8690
e-mail: customerservice@deublin.com | www.deublin.com