



Rotating Unions



Series

7100



Content

1	For your Safety	3
1.1	Intended Use	3
1.1.1	Example of Application	4
1.2	Misuse	4
1.3	Safety Instructions	5
1.3.1	Hazards due to hot surfaces	5
1.3.2	Hazards by improper hoses	5
1.3.3	Hazards due to the media	5
1.3.4	Hazards by faulty installation	5
1.4	Structure of Pictograms	6
2	Information as to this Manual	6
3	Information on the Name Plate	6
4	Information on the Design	7
4.1	Filtering of the Medium	7
4.2	Connecting Options of the Rotating Union at the Machine Shaft	7
4.3	Fit, Shape and Positional Tolerances	7
4.4	Prepare Installation of the Rotating Union	7
4.5	Options of Hose Installation	8
4.5.1	Connection of hose to the rotating union	8
4.5.2	Connection of a drain line	9
5	Installation	9
6	Information on the Operation	9
7	Storage	10
8	Maintenance	10
8.1	Maintenance Intervals	10
8.2	Daily Inspection	10
9	Trouble Shooting	11
9.1	Potential Causes for Errors and their Elimination	11
9.2	Pack Rotating Union for Transport	12
10	Disposal	12
10.1	Dispose of Packaging	12
10.2	Dispose of Rotating Union	12
11	Spare Parts	13

1 For your Safety

This chapter provides information on the safe handling of *DEUBLIN* rotating unions.

- For your own safety and the safety of other people read this operating manual carefully and completely prior to working on or with *DEUBLIN* rotating unions.
- This operating manual exclusively describes the rotating unions of the manufacturer *DEUBLIN*. In the further description/explanation the name “*DEUBLIN*” is left out for a better readability.
- Always use the latest version of the operating manual, available under www.deublin.eu.
- This operating manual is a material part of the specified rotating unions. The operator is responsible for the personnel to take note of this manual.
- The operator of the rotating unions shall not make any modifications or attachments to and retrofitting of the rotating union without the manufacturer’s consent.
- Please follow the additional instruction “Installation” for a secure and correct installation of the rotating union. The installation instruction is included with the delivered union.

1.1 Intended Use

The rotating unions of series 7100 supply the feeding of hydraulic oil. The respective medium has to comply with the following specification: Mineral oils according to DIN 51524-2 (HL; HLP) | ISO 6743-4 HM, viscosity classes 10, 22, 32, 46, 68 and 100 cSt.

The admissible performance of the rotating unions depends upon the diameter of the pipe through which the consuming equipment is provided with hydraulic oil.

Max. pressure	Min. pressure	Max. speed	Temperature range
300 bar (2,900 PSI)	3 bar (40 PSI)	8,000 min ⁻¹	statically: -40 up to 90 °C dynamically: -10 up to 70 °C

Details on the operating range of the rotating unions are provided in the catalogue and/or the model-specific installation drawing.

The rotating unions referred to are designed for non-potentially explosive environments and non-combustible media.

The rotating unions of the serie 7100 can be used as one-way or multi-passage version depending on the type of connection.

1.1.1 Example of Application

In this example, the principle of the rotating union is described on the basis of a two-way version with flanged rotor. Other models of series 7100 operate in the same way.

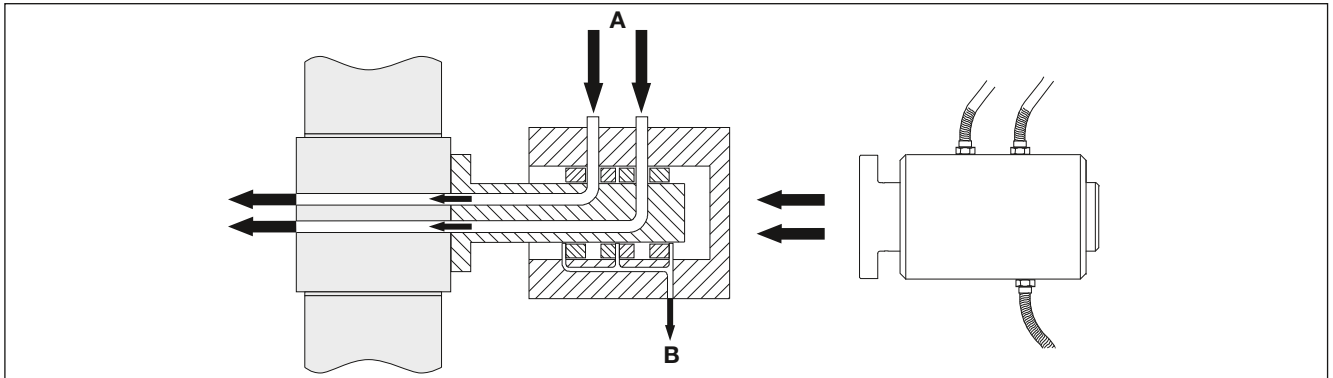


Fig. 1: Schematic diagram two-way version

A rotating union is installed at one end of the shaft, e.g. a two-way version as in this example. The latter is fitted with two pipes **(A)** through which the consuming equipment is supplied with hydraulic oil. The medium leaking from the rotating union is carried off through a leakage line **(B)** in a controlled way.

1.2 Misuse

This chapter provides information on known misuse of rotating unions of the 7100 series. The rotating unions are not suitable for the areas and applications described herein. Use in such areas or for such applications constitutes a misuse endangering people and machines and is therefore prohibited.

Prohibition for the following areas:

- Potentially explosive areas**
The rotating unions of the 7100 series shall not be used in potentially explosive areas, as they are not approved for the requirements in potentially explosive areas. Operation in such areas may cause explosions.
- Food**
Food, cleaning and disinfectant residues cannot be removed from the rotating unions. People may suffer poisoning.

Prohibition for the following applications:

- Conveying of combustible media or hydrocarbons**
Combustible media or hydrocarbons may ignite or cause explosions.
- Connection to a piping system with excessive pressure**
If excessive pressure is applied to the rotating unions, supply pipes can come off and cause personal injury or property damage.
- Operation without lubrication**
Dry operation (without medium) of the rotating union causes damage to the axial face seals.
- Connection to fixed pipes**
If connection is via fixed pipes, the rotating unions may leak and the ball bearings may get damaged.
- Conveying of media which are too hot**
If the media exceed the maximum admissible temperature for the rotating union, the static seals (elastomeric seals) can be damaged which may result in leaky rotating unions and personal injury or property damage.

This list is not comprehensive and will be updated with results from product observation.

1.3 Safety Instructions

This chapter provides information on the hazards through rotating unions.

1.3.1 Hazards due to hot surfaces

The rotating unions are heated by the temperature of the medium. Skin contact with heated rotating unions can cause injuries.

- Use safety gloves and PPE (Personal Protective Equipment) protecting against heat when handling the rotating union.
- Attach a clearly visible danger sign visibly on/next to the rotating union in order to warn of danger.

1.3.2 Hazards by improper hoses

For the connection of the rotating union to the machine, you have to choose appropriate hoses for the respective medium, which meet, the specifications for the application.

If you use incorrect hoses, they may become porous or burst. This can cause personal injury and/or property damage to components of the machine.

- In case of the medium hydraulic oil, use hoses which are suitable for the maximum system pressure of the machine and the maximum temperature of the media.

Hoses for leakage lines

If the cross-section of the hose used is smaller than that of the connection of the rotating union, an excessive pressure may develop in the hoses. Hoses may burst and cause serious injuries.

- Use hoses which fit the cross-section of the connections.

1.3.3 Hazards due to the media

When working on the rotating union, injuries can be caused by skin or eye contact with the media.

- Observe the safety instructions for the flow media. Observe the COSHH Safety Data Sheet for the flow media.

1.3.4 Hazards by faulty installation

If the rotating unions are installed incorrectly, hoses and connections may become leaky. The medium can escape. Depending on the medium, personal injury or property damage to the components of the machine may occur.

- Before installing the rotating union ensure that no feed pressure and no residual pressure is applied to the pipeline system of the machine.
- Install the rotating union on the machine using hoses only, in order to avoid stress on the rotating union.
- Install the hoses free from stress.
- Install the hoses to the rotating union prior to mounting it at the machine shaft.



1.4 Structure of Pictograms

This chapter provides information on the meaning of the pictograms used in the manual.



Warning

Warning

Potentially dangerous situation, which may result in death or serious injury.



Note

Note

Potentially harmful situation in which the product or surrounding objects can be damaged.



Info

Application notes

and other useful information.

2 Information as to this Manual

The copyright as to this manual remains with *DEUBLIN*. Subject to changes!

- You can download the latest version of this manual under www.deublin.eu.
- Always use the latest version of the operating manual.

3 Information on the Name Plate

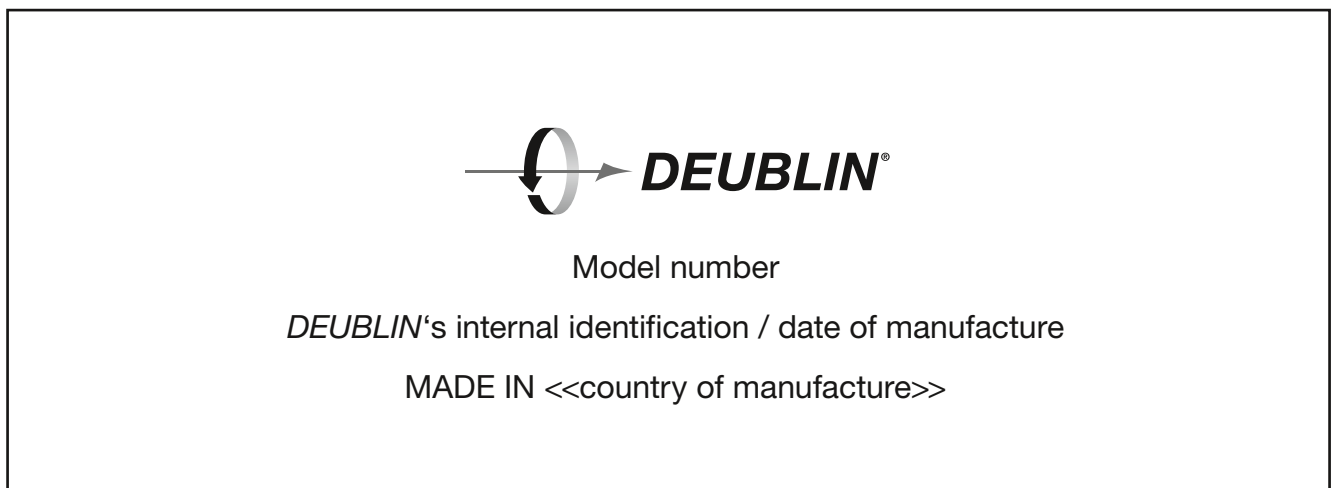
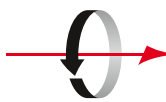


Fig. 2: Name plate

The coding of the model number is described in the catalogue. The model number corresponds to the order number.



4 Information on the Design

This chapter provides information as to which items have to be observed in the design in order to have a positive effect on the service life of the rotating union.



You can obtain the drawings of the rotating unions from *DEUBLIN* in order to integrate the rotating union in your drawing.

4.1 Filtering of the Medium

Unfiltered media with a particle size of more than 60 µm result in increased wear of the rotating union.



The larger the particles in the media, the higher the wear of the rotating union is.

- Install a filter upstream of the rotating union which filters the medium according to purity class 17/15/12 ISO 4406:2017.

4.2 Connecting Options of the Rotating Union at the Machine Shaft

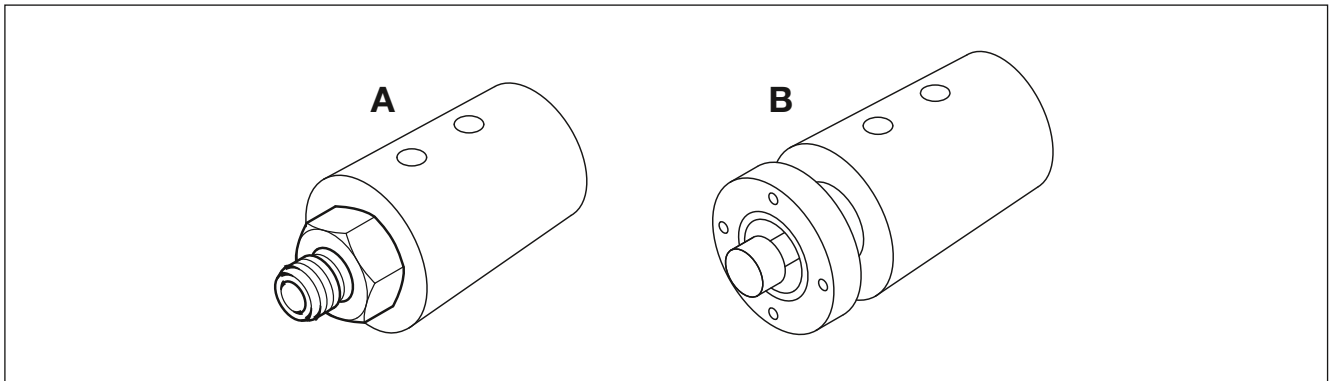


Fig. 3: Options for the installation on the machine shaft

The rotating unions can be fastened on the machine shaft by a threaded rotor **(A)** or by means of a flanged rotor **(B)** depending on the rotating union.

4.3 Fit, Shape and Positional Tolerances

Functioning of the rotating unions is only ensured if you observe the specifications of *DEUBLIN* regarding design of fits, shape and positional tolerances. If you do not meet them, O-rings can be damaged, the medium can escape, for instance. Corresponding information can be found in the technical drawing of your rotating union.

- Make sure that all specifications by *DEUBLIN* on the installation of the rotating union in your machine are observed.

4.4 Prepare Installation of the Rotating Union

Sharp edges at the bore hole of the roller can damage the O-rings of the rotating union.

- Provide the bore hole of the roller with a chamfer of 30° in order to prevent the O-rings from being damaged when pressing them in.
- Round sharp edges off by polishing the junctions between shafts and rotating unions.

4.5 Options of Hose Installation

The following examples show how to install the hoses at the rotating unions. These connecting options ensure that the hoses do not transfer stress to the rotating unions when the machine shaft moves.

- Please pay attention to the chapter “1.3 Security Advices” regarding the design.

4.5.1 Connection of hose to the rotating union

The hoses must be installed without stress and bends so that they do not apply any forces to the rotating union. The following figures show examples of installation.



Fig. 4: Connect hoses with 90° elbows



Fig. 5: Connect hoses with straight connections



4.5.2 Connection of a drain line



Note

Damage of component due to overpressurised drain line

If the rotating union is connected to pressurised drain lines, the leaking medium cannot be carried off. If the media cannot escape through the drain line, the union will be damaged.

- Connect the hoses to drain lines which are not pressurised.

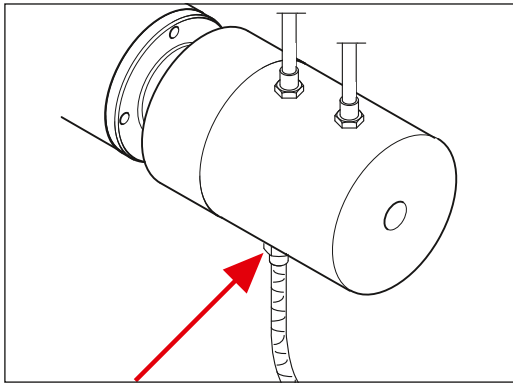


Fig. 6: Connection of drain line

During operation hydraulic oil leaks from the rotating union. In order to carry this off in a controlled way, the rotating union is to be fitted with one or several drain connections depending on the model.

- The leaking medium has to be conveyed pressureless back to the tank. The pressure in the drain line must not exceed 0.5 bar.

5 Installation

The union installation is described in an additional leaflet which is supplied with each rotating union. Please follow the additional instruction "Installation" for a secure and correct installation of the rotating union. The instruction "Installation" is available online via www.deublin.eu.

- Ensure that the person installing the rotating union receives the following information:
 - Position and location of the rotating union in the machine
 - Plan for connection of hoses
 - Position of leakage line
 - Information on the media

6 Information on the Operation



Note

Damage to components due to no lubrication (Dry run)

The hydrostatic seal of the rotating unions is lubricated by the medium. If the rotating unions are operated without medium present they are not lubricated and will thus be damaged.

- Ensure that the rotating unions are operated with a medium.
- Switch off the plant/machine, if the rotating unions are operated without medium.



Note

Damage of component due to insufficient pressure

If insufficient pressure is applied to the rotating union, the rotor and the housing are subject to excessive wear.

- Make sure that the rotating unions are provided with the specified minimum pressure.



7 Storage



Note

Damage of component due to incorrect storage

If you store the rotating unions incorrectly, they become leaky or get damaged.

- Store the rotating unions in a dry area between 3 °C and 40 °C.
- Store rotating unions for two years at the most.

8 Maintenance

This chapter provides information on how to extend the service life of the rotating unions by means of maintenance.

8.1 Maintenance Intervals

You can avoid early wear of the rotating unions, if you adhere to the maintenance intervals described herein.



Warning

Risk of injury due to hot or cold surfaces

The rotating unions are heated or cooled by the temperature of the medium.

Skin contact with these heated or cooled rotating unions can cause severe injuries.

- Before starting to work on the rotating union, allow the machine to cool down.
- Use safety gloves and PPE (Personal Protective Equipment) protecting against heat or cold depending on the application of the rotating unions.

8.2 Daily Inspection

Check the rotating unions for tightness.



Warning

Risk of injuries due to applied line pressure

If you have to work on the rotating union and feed pressure of the medium is applied or there is residual pressure in the piping system of the machine, the medium can escape under pressure when releasing the connections. You and other people may suffer severe injuries.

- Ensure that no feed pressure is applied.
- Ensure that there is no residual pressure in the piping system.

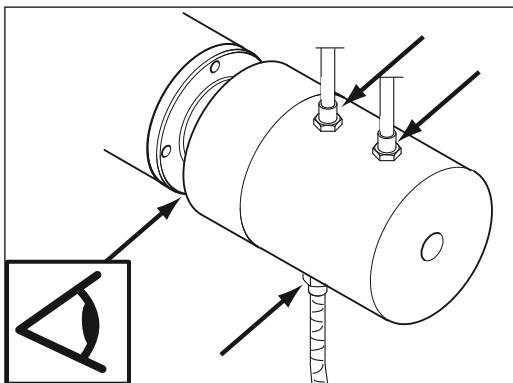


Fig. 7: Inspect visually

During operation of the machine, leakages may occur at the connections and hoses depending on the requirements to the rotating unions.

- Carry out daily visual inspections in order to check whether leakages occurred at the connections (see arrows).

If you detect leakage:

1. Stop the machine.
2. Replace the defective hoses with new ones.
3. Seal leaking connections.
4. If the rotating union is worn and leaks, replace it with a new one. Repair kits for various models can be obtained from *DEUBLIN*.

9 Trouble Shooting

This chapter provides the following information:

1. Which problem may occur?
2. What can be the cause of the problem?
3. How can you eliminate this problem?

9.1 Potential Causes for Errors and their Elimination



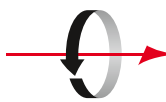
Warning

Risk of injuries due to applied line pressure

If you have to work on the rotating union and feed pressure of the medium is applied or there is residual pressure in the piping system of the machine, the medium can escape under pressure when releasing the connections. You and other people may suffer serious injuries.

- Ensure that no feed pressure is applied.
- Ensure that there is no residual pressure in the piping system.

Error	Potential causes	Elimination
Rotating union is leaky after installation	Incorrect installation	<ol style="list-style-type: none"> 1. Stop the machine. 2. Ensure that the connections are sealed according to the manual "Installation". 3. Ensure that all hoses are installed without stress. 4. Ensure that all seal faces are clean.
	Seal faces of the rotating union are damaged	<ol style="list-style-type: none"> 1. Pack rotating union. 2. Send rotating union to <i>DEUBLIN</i> for overhaul/service.
	Rotating union is defective	
Rotating union leaks before the end of the expected service life	Medium is contaminated	<ol style="list-style-type: none"> 1. Stop the machine. 2. Drain medium. 3. Send rotating union to <i>DEUBLIN</i> for overhaul/service, if required. 4. Mount new filter. 5. Flush the piping system of the machine. 6. Refill with new medium.
	Rotating union is not designed for the respective application	<ol style="list-style-type: none"> 1. Ensure that the correct <i>DEUBLIN</i> Rotating Union is used. 2. Contact <i>DEUBLIN</i> if required.
Rotating union runs untrue or wobbles	Thread and/or concentricity outside the admissible tolerance.	<ol style="list-style-type: none"> 1. Stop the machine. 2. Remove rotating union. 3. Manufacture new thread or flange. 4. Install rotating union.
	Rotating union is mounted incorrectly.	



9.2 Pack Rotating Union for Transport

The rotating union has to be protected against mechanical impact and humidity during transport to ensure that the rotating union will arrive at *DEUBLIN* without being damaged.



Warning

Risk of injury by high weight

The rotating unions are heavy (depending on the model > 25 kg). If you lift the rotating unions on your own or without a lifting device, you and other people may suffer injuries.

- Always mount the rotating union with appropriate assistance.
- Use a crane or lifting device for transport and installation of the rotating union.

1. Dismount the rotating union in reverse order of the installation (see Installation).
2. Ensure that the rotating union is free from the respective media.
3. Use a cardboard box which is suitable for the weight of the rotating union.
4. Cushion the base of the cardboard box with a soft material, e.g. air bubble film.
5. Wrap the rotating union with a soft material, e.g. air bubble film.
6. Ensure that no packing material or dirt can penetrate the opening of the rotating union.
7. Position the rotating union in the middle of the cardboard box.
8. Fill the free space around the rotating union with newspaper or another suitable material.
9. Close the cardboard box by means of tape.

10 Disposal



Warning

Risk of injury by high weight

The rotating unions are heavy (depending on the model > 25 kg). If you lift the rotating unions on your own or without a lifting device, you and other people may suffer injuries.

- Always mount the rotating union with appropriate assistance.
- Use a crane or lifting device for transport and installation of the rotating union.

10.1 Dispose of Packaging

- Dispose of the packaging (cardboard box and plastics) according to the national standards, regulations and directives.

10.2 Dispose of Rotating Union

Mainly, the rotating unions consist of metals, which can be reused within the reclamation of scrap. Decontaminate unions / parts and dispose of in an “Environmentally Friendly” way.

- Dismount the rotating union in reverse order to the installation (see Installation).
- Flush the rotating union.
- Collect the dirty flushing media.
- Dispose of the collected flushing media according to the national standards, regulations and directives.
- Comply with the specification of the hydraulic oil manufacturer.
- Dispose of the rotating union according to the national standards, regulations and directives.

In case of repair, *DEUBLIN* disposes of all used parts.



11 Spare Parts

The rotating unions have a limited service life and include wearing parts. Wearing parts are excluded from the warranty. All static and dynamic sealing elements of a component are considered wearing parts, as well as ball bearings.

Repair kits are available for some models of the rotating unions and can be obtained from *DEUBLIN*. Please ask your *DEUBLIN* Service.

You need special tools and repair instructions for repair of the rotating unions which can be obtained from *DEUBLIN* as well.



Info

Note

If you do not want to repair your rotating union on your own, *DEUBLIN* will be pleased to help you. If requested, *DEUBLIN* will exchange all wearing parts and clean all components of the rotating union. Before repaired rotating unions leave the premises, they will be subjected to an operational check. The repaired rotating union is returned with a standard “*DEUBLIN* Warranty” valid for 12 months.

Reliability

Many years' experience, ongoing liaison with customers, innovations sourced inhouse and from suppliers place *DEUBLIN* in a position providing reliable Rotating Unions at the highest level.

When it comes to concrete applications, maximum service life is guaranteed by matching the sealing to the respective medium.

The service life is also equally maximized by maintaining cleanliness when storing and handling the Rotating Union and by adhering to the guidelines issued by *DEUBLIN* in respect of the conditions on the customer's premises.

EUROPE

DEUBLIN Germany

Florenz-Allee 1
55129 Mainz, Germany
Phone: +49 6131-49980
Fax: +49 6131-4998109
e-mail: info@deublin.de

DEUBLIN Italy

Via Guido Rossa 9 - Loc. Monteveglio
40053 Comune di Valsamoggia (BO), Italy
Phone: +39 051-835611
Fax: +39 051-832091
e-mail: info@deublin.it

DEUBLIN Austria

Lainzer Straße 35
1130 Wien, Austria
Phone: +43 1-8768450
Fax: +43 1-876845030
e-mail: info@deublin.at

DEUBLIN France

61 Bis, Avenue de l'Europe
Z.A.C de la Malnoue, Emerainville
77436 Marne-la-Vallée Cedex 2, France
Phone: +33 1-64616161
Fax: +33 1-64616364
e-mail: service.client@deublin.fr

DEUBLIN Poland

ul. Bierutowska 57-59
51-317 Wrocław, Poland
Phone: +48 71-3528152
Fax: +48 71-3207306
e-mail: info@deublin.pl

DEUBLIN Russia

ul. Kosygina, 13, 5th entrance, 1st floor
Moscow, 119334, Russia
Phone: +7 495-647 1434
Fax: +7 495-938 8949
e-mail: info@deublinrussia.ru

DEUBLIN Spain

C/ Lola Anglada, 20 local 1
08228 Terrassa, Spain
Phone: +34 93-221 1223
Fax: +34 93-221 2093
e-mail: deublin@deublin.es

DEUBLIN United Kingdom

6 Sopwith Park, Royce Close, West Portway
Andover SP10 3TS, UK
Phone: +44 1264-33 3355
Fax: +44 1264-33 3304
e-mail: info@deublin.co.uk

AMERICA

DEUBLIN USA

2050 Norman Drive
Waukegan, IL 60085-6747 U.S.A
Phone: +1 847-689 8600
Fax: +1 847-689 8690
e-mail: customerservice@deublin.com

DEUBLIN Brazil

Rua Fagundes de Oliveira, 538 - Galpão A11
Piraporinha
09950-300 - Diadema - SP - Brasil
Phone: +55 11-2455 3245
Fax: +55 11-2455 2358
e-mail: deublinbrasil@deublinbrasil.com.br

DEUBLIN Mexico

Norte 79-A No. 77, Col. Claveria
02080 Mexico, D.F.
Phone: +52 55-5342 0362
Fax: +52 55-5342 0157
e-mail: deublinmexicocs@deublin.com

ASIA

DEUBLIN China

No. 2, 6th DD Street,
DD Port Dalian, 116620, China
Phone: +86 411-8754 9678
Fax: +86 411-8754 9679
e-mail: info@deublin.cn

Shanghai Branch Office

Room 15A07, Wangjiao Plaza
No. 175 East Yan'an Road, Huangpu District
Shanghai 200002
Phone: +86 21-5298 0791
Fax: +86 21-5298 0790
e-mail: info@deublin.cn

DEUBLIN Asia Pacific

51 Goldhill Plaza
#17-02 Singapore 308900
Phone: +65 6259-92 25
Fax: +65 6259-97 23
email: deublin@singnet.com.sg

DEUBLIN Japan

2-13-1, Minamihanayashiki, Kawanishi City
Hyogo 666-0026, Japan
Phone: +81 72-757 0099
Fax: +81 72-757 0120
e-mail: customerservice@deublin-japan.co.jp

2-4-10-3F, Ryogoku, Sumida-ku

Tokyo 130-0026, Japan
Phone: +81 35-625 0777
Fax: +81 35-625 0888
e-mail: customerservice@deublin-japan.co.jp

1-9-2-4F, Mikawaanjo-cho, Anjo City

Aichi 446-0056, Japan
Phone: +81 566-71 4360
Fax: +81 566-71 4361
e-mail: customerservice@deublin-japan.co.jp

DEUBLIN Korea

Star Tower #1003, Sangdaewon-dong 223-25,
Jungwon-gu, Seongnam-si, Gyeonggi-do,
South Korea
Phone: +82 31-8018 5777
Fax: +82 31-8018 5780
e-mail: customerservice@deublin.co.kr