

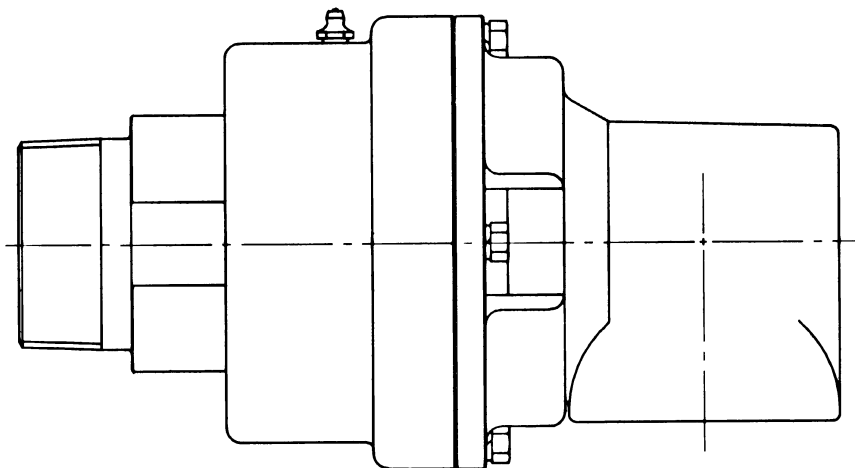
CONFIDENTIAL

THIS DOCUMENT CONTAINS PROPRIETARY INFORMATION AND IS NOT TO BE TRANSMITTED, REPRODUCED, USED OR DISCLOSED TO ANYONE WITHOUT THE WRITTEN PERMISSION OF THE DEUBLIN COMPANY

031-056

DISASSEMBLY/ASSEMBLY INSTRUCTIONS

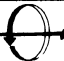
MODEL 857



- REPAIR KIT PARTS LIST:
- FLOATING SEAL
 - SEAL PLATE
 - SEAL GUIDE
 - WAVE SPRING
 - O-RING (2)
 - SLINGER
 - SHOULDER SCREW (2)

IMPORTANT NOTE:

WHEN ASSEMBLING DEUBLIN UNIONS, CLEANLINESS IS AN IMPORTANT FACTOR. ALL PARTS MUST BE FREE OF DIRT AND CHIPS. PARTS MAY BE CLEANED WITH CHLOROTHANE, CARBON TETRACHLORIDE, ALCOHOL OR ANY GOOD CLEANING SOLVENT.

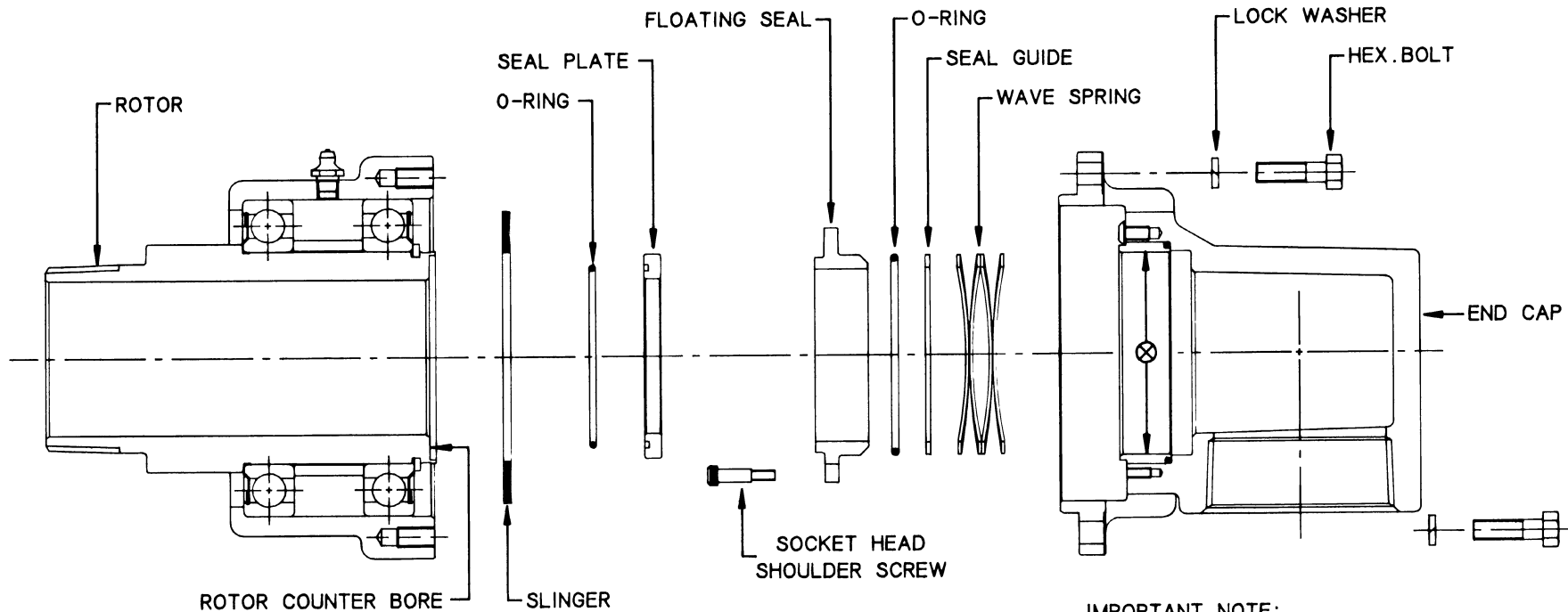
H						EQUIPMENT REF	 DEUBLIN COMPANY NORTHBROOK, ILLINOIS, U S A
G							
F							
E						SCALE NONE	
D						DRAWN GA 6/15/90	
C						ENGR GA 6/15/90	PAGE 1 OF 4
B						APP D GA 6/15/90	
A	WAS DA-56	028324	8/14	RM		UNTOLERANCED DIMENSIONS ± 0.10 DECIMALS AS SPECIFIED DIMENSIONS IN () ARE IN MILLIMETERS	NO
LET	REVISION	ECO	DATE	SIGN			(A) 031-056

CONFIDENTIAL

THIS DOCUMENT CONTAINS PROPRIETARY INFORMATION AND IS NOT TO BE TRANSMITTED, REPRODUCED, USED OR DISCLOSED TO ANYONE WITHOUT THE WRITTEN PERMISSION OF THE DEUBLIN COMPANY

DISASSEMBLY


031-056



- REMOVE (4) HEX.BOLTS AND LOCK WASHERS AND RETAIN FOR RE-ASSEMBLY.
- REMOVE END CAP AND SET ASIDE.
- REMOVE SEAL PLATE AND O-RING FROM FACE OF ROTOR AND DISCARD.
- REMOVE SLINGER AND DISCARD
- CLEAN COUNTER BORE OF ROTOR
- REMOVE (2) SOCKET HEAD SHOULDER SCREWS FROM END CAP AND DISCARD.
- REMOVE FLOATING SEAL, O-RING, SEAL GUIDE, WAVE SPRING AND DISCARD

IMPORTANT NOTE:
CHECK BORE MARKED ⊗ FOR WEAR OR SCRATCHES.
THE BORE MUST BE SMOOTH.(40 R.M.S.MAX.)
IF REWORK IS REQUIRED,USE EMORY PAPER TO CLEAN THIS BORE.

H					EQUIPMENT REF.
G					
F					
E					SCALE NONE
D					DRAWN GA 6/15/90
C					ENGR GA 6/15/90
B					APP D GA 6/15/90
A	WAS DA-56	028324	8/14	RM	UNTOLERANCED DIMENSIONS ± 0.10 DECIMALS AS SPECIFIED DIMENSIONS IN () ARE IN MILLIMETERS
LET	REVISION	ECO	DATE	SIGN	

 **DEUBLIN COMPANY**
NORTHBROOK, ILLINOIS, U S A

PAGE 2 OF 4

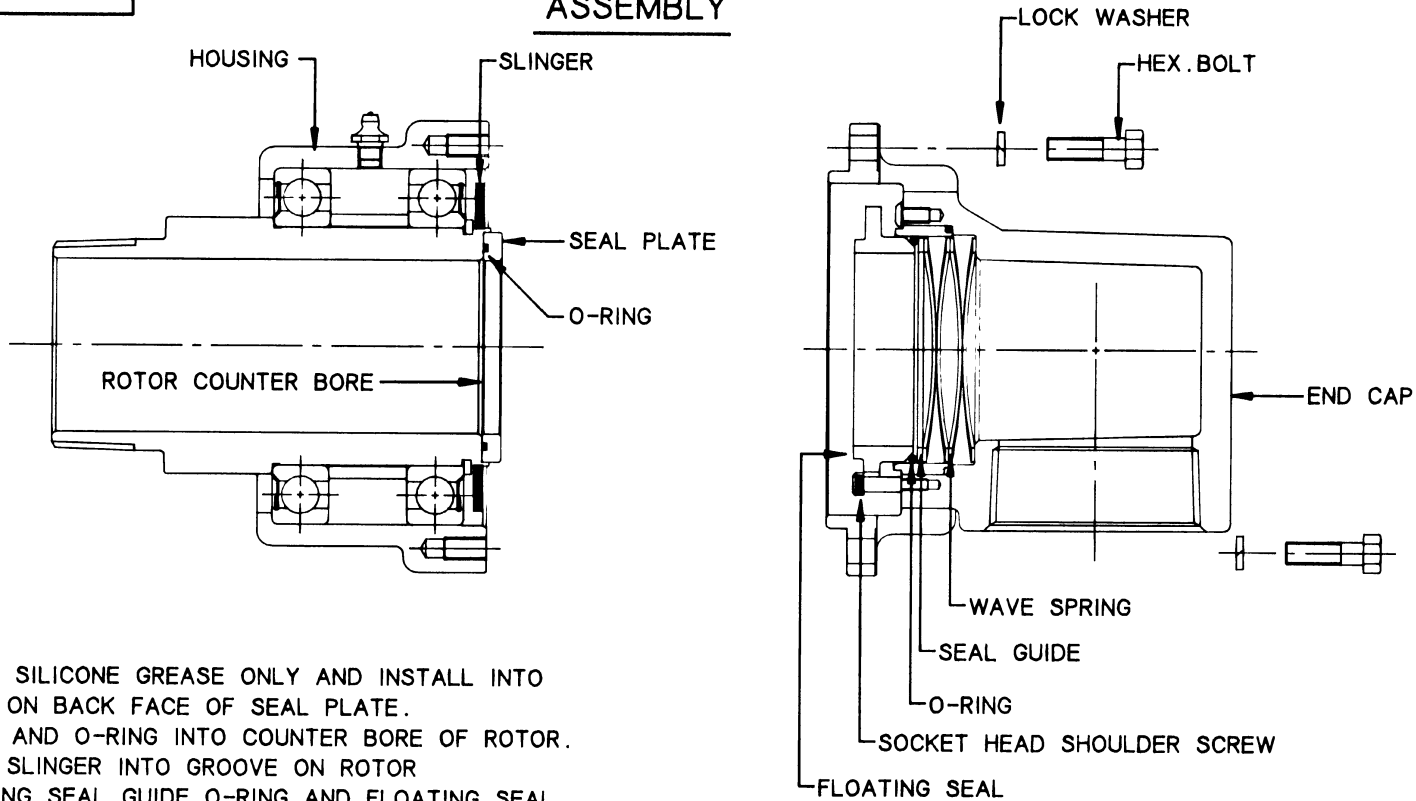
(A) **031-056**

CONFIDENTIAL


THIS DOCUMENT CONTAINS PROPRIETARY INFORMATION AND IS NOT TO BE TRANSMITTED, REPRODUCED, USED OR DISCLOSED TO ANYONE WITHOUT THE WRITTEN PERMISSION OF THE DEUBLIN COMPANY

031-056

ASSEMBLY



LUBE O-RING WITH SILICONE GREASE ONLY AND INSTALL INTO GROOVE ON BACK FACE OF SEAL PLATE.
 INSTALL SEAL PLATE AND O-RING INTO COUNTER BORE OF ROTOR.
 INSTALL SLINGER INTO GROOVE ON ROTOR
 INSTALL WAVE SPRING, SEAL GUIDE, O-RING, AND FLOATING SEAL INTO END CAP (LUBE O-RING WITH SILICONE GREASE ONLY)
 INSTALL (2) SOCKET HEAD SHOULDER SCREWS INTO END CAP THRU SLOTS ON THE FLOATING SEAL AND TIGHTEN EVENLY UNTIL BOTTOMING.
 CLEAN FACES OF BOTH THE SEAL PLATE AND THE FLOATING SEAL AND LUBE BOTH WITH A LIGHT VISCOSITY OIL.
 PLACE END CAP GENTLY ONTO HOUSING AND TIGHTEN DOWN HEX.BOLTS AND LOCK WASHERS EVENLY.
 (NOTE: TORQUE HEX.BOLTS TO 20-30 FT.LBS.)

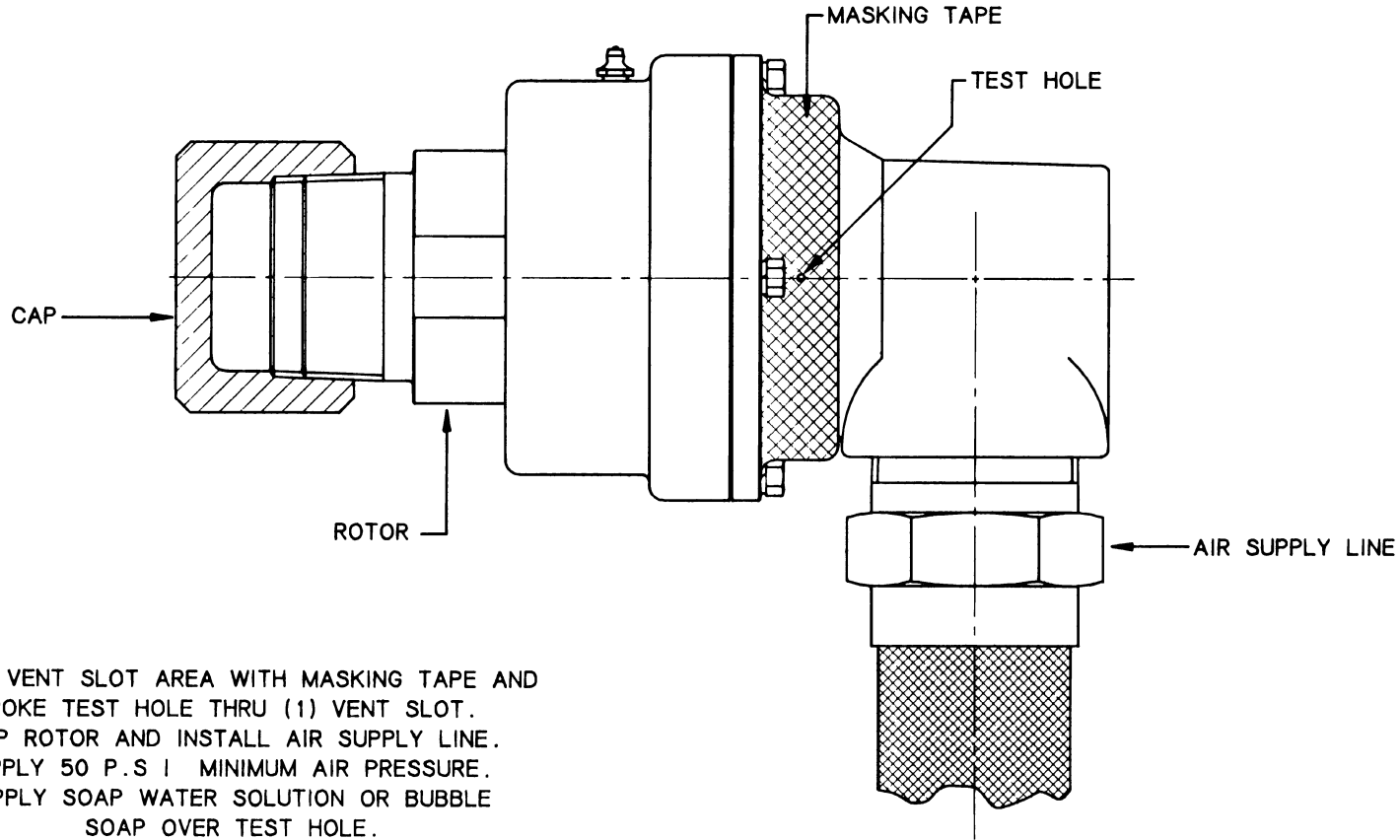
H					EQUIPMENT REF.	 DEUBLIN COMPANY NORTHBROOK, ILLINOIS, U S A
G						
F						
E					SCALE NONE	
D					DRAWN GA 6/15/90	
C					ENGR GA 6/15/90	PAGE 3 OF 4
B					APP D GA 6/15/90	NO (A) 031-056
A	WAS DA-56	028324	8/14	RM	UNTOLERANCED DIMENSIONS ± 0.010 DECIMALS AS SPECIFIED DIMENSIONS IN () ARE IN MILLIMETERS	
LET	REVISION	ECO	DATE	SIGN		

CONFIDENTIAL

THIS DOCUMENT CONTAINS PROPRIETARY INFORMATION AND IS NOT TO BE TRANSMITTED, REPRODUCED, USED OR DISCLOSED TO ANYONE WITHOUT THE WRITTEN PERMISSION OF THE DEUBLIN COMPANY.

031-056

TESTING



MASK VENT SLOT AREA WITH MASKING TAPE AND
 POKE TEST HOLE THRU (1) VENT SLOT.
 CAP ROTOR AND INSTALL AIR SUPPLY LINE.
 APPLY 50 P.S.I. MINIMUM AIR PRESSURE.
 APPLY SOAP WATER SOLUTION OR BUBBLE
 SOAP OVER TEST HOLE.
 ROTATE ROTOR BY HAND. IF NO BUBBLE RISES,
 UNION IS O.K.

H						EQUIPMENT REF.
G						
F						
E						SCALE NONE
D						DRAWN GA 6/15/90
C						ENGR GA 6/15/90
B						APP D GA 6/15/90
A	WAS DA-56	028324	8/14	RM		INTOLERANCED DIMENSIONS ± 0.10 DECIMALS AS SPECIFIED DIMENSIONS IN () ARE IN MILLIMETERS
LET	REVISION	ECO	DATE	SIGN		

 **DEUBLIN COMPANY**
 NORTHBROOK, ILLINOIS, U.S.A.

PAGE 4 OF 4

(A) 031-056