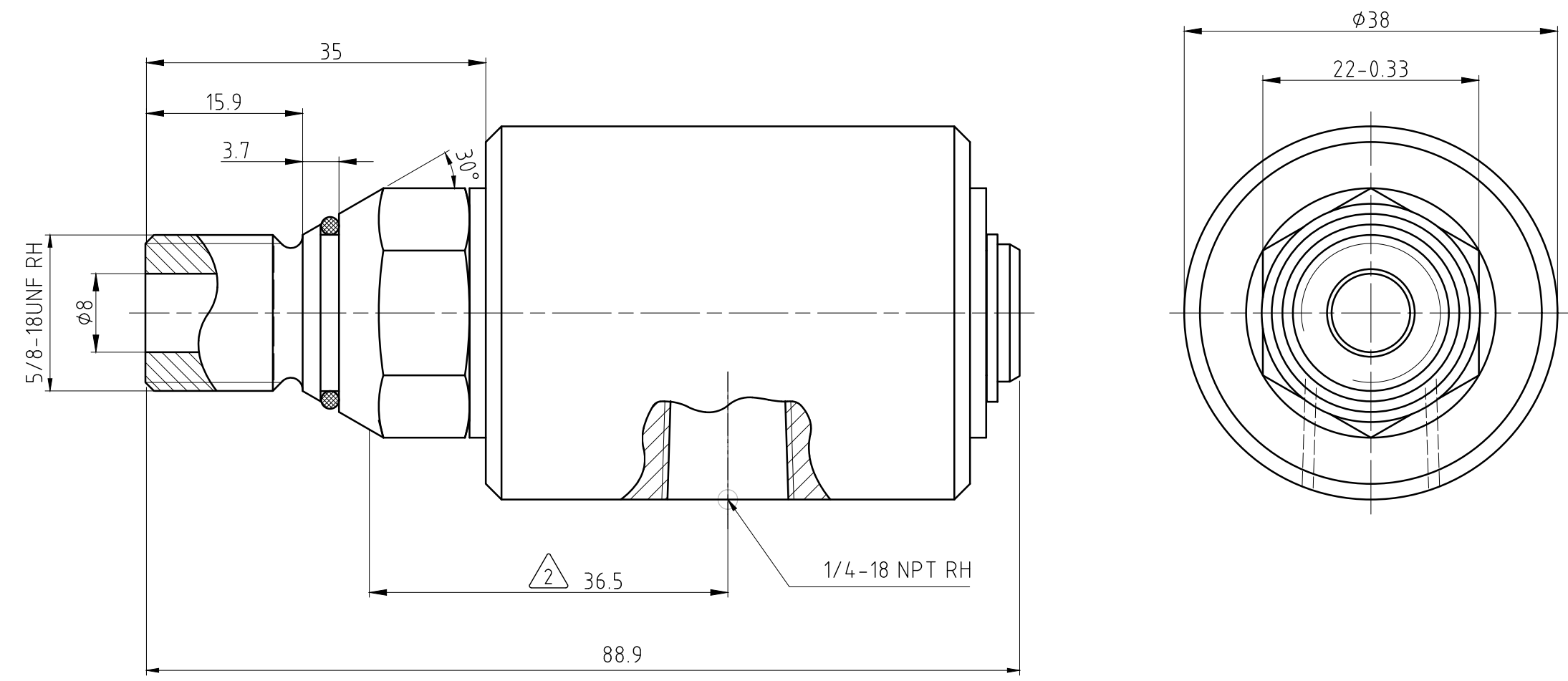


CONFIDENTIAL
 THIS DOCUMENT CONTAINS CONFIDENTIAL AND PROPRIETARY
 INFORMATION OF DEUBLIN COMPANY. COPYING, USE,
 TRANSMISSION, DISTRIBUTION, AND DISCLOSURE ARE SUBJECT
 TO THE TERMS AND CONDITIONS CONTAINED IN YOUR
 AGREEMENT WITH DEUBLIN COMPANY. ALL RIGHTS RESERVED.

NOTES:
 1 - OPERATION AT MAXIMUM PRESSURE COMBINED WITH MAXIMUM
 SPEED SHOULD BE AVOIDED.
 2 - APPROXIMATE DISTANCE TO LOCKUP.



OPERATING DATA 1				
MEDIA		AIR	HYDRAULIC OIL	VACUUM
PRESSURE	MAXIMUM	10 bar	207 bar	6.7 kPa
TEMPERATURE	MAXIMUM	121 °C	121 °C	121 °C
	MINIMUM	5 °C	5 °C	5 °C
MAXIMUM SPEED		250 min ⁻¹	250 min ⁻¹	250 min ⁻¹

 DEUBLIN COMPANY WAUKEGAN, ILLINOIS, U.S.A.		PROJECTION: 	SCALE: 2:1 MATERIAL:
DRN.	05/19/2009	NAME	galindolm
ENGR.		DATE	
APPD.		NAME	
UNLESS SPECIFICALLY TOLERANCED, ALL DIMENSIONS ARE CONSIDERED REFERENCE			TITLE: INTERFACE CONTROL DRAWING 17 UNION, 5/8-18 TAPERED PILOT RTR
ISSUE	MODIFICATION	ECO	DATE
SIGN			
NO.			17-025-023005
SHEET			A3