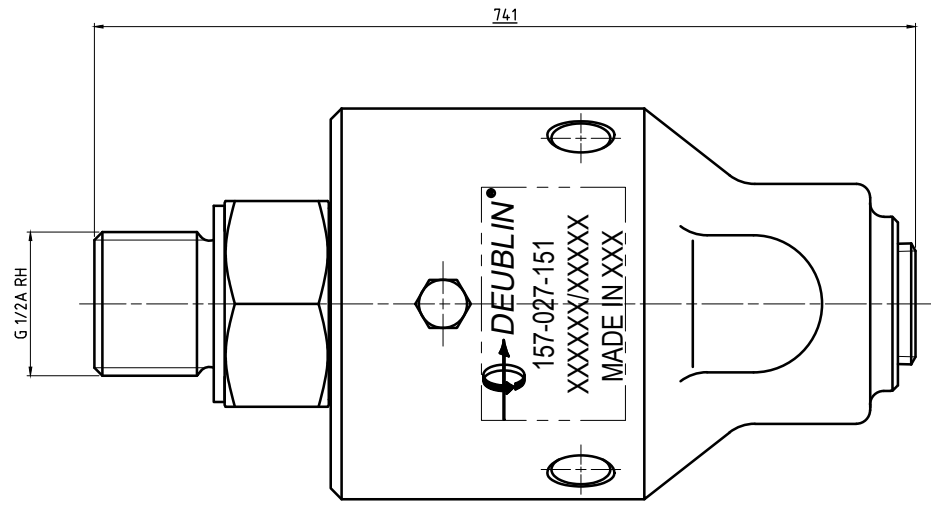
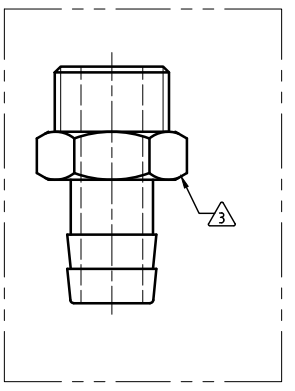
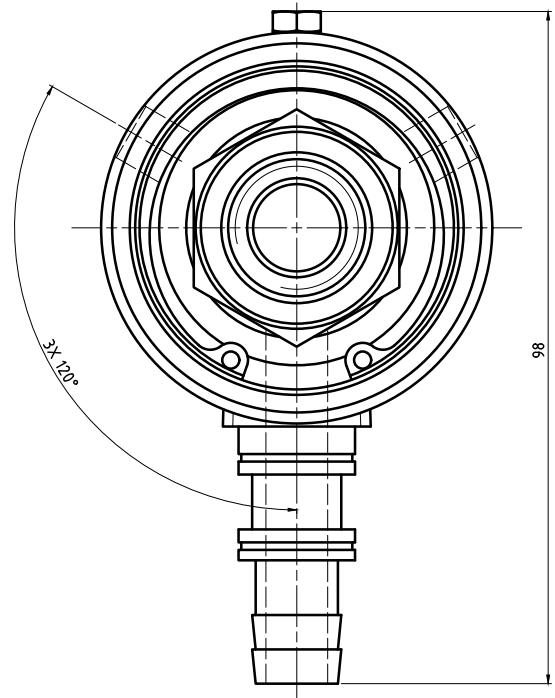
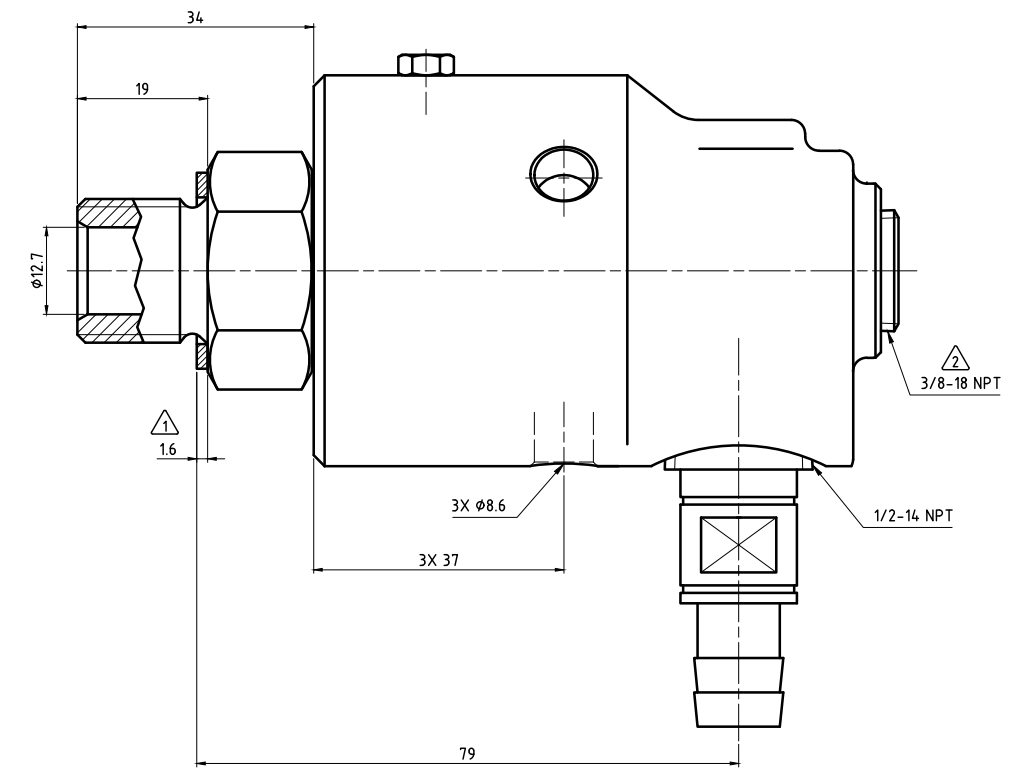
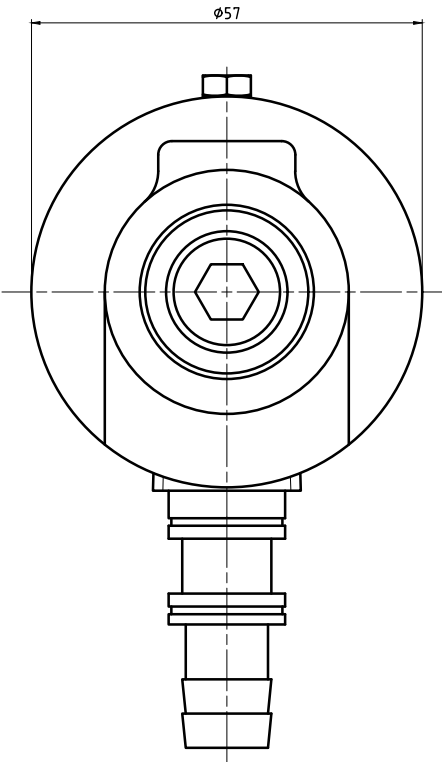


- NOTES:
 △ - GASKET THICKNESS.
 △ - PLUG INSTALLED HAND TIGHT FROM FACTORY. IF PORT IS NOT UTILIZED, TIGHTEN BEFORE USE.
 △ - ITEM TO BE BAGGED AND SHIPPED UNASSEMBLED.



Operating Data / Betriebsdaten		
Media/Medium	Water	Wasser
p max.	150 PSI	10 bar
n max.	3500 RPM	3500 1/min
t max.	200 °F	90 °C
Filtration/Filterung	60 µm	60 µm
Dry run/Trockenlauf	not possible	nicht möglich
Q max.	3.2 GPM	12 l/min
Δp at/bei Q max.	5.5 PSI	0.38 bar

	PROJECTION:	SCALE: 2:1
	MATERIAL:	INTERFACE CONTROL DRAWING
DATE:	NAME:	TITLE:
DRN: 12/29/14	N. Reyna	DEUBLIN UNION
ENGR: 12/29/14	T. Wilson	
APPD:		
NO. 157-027-151		SHEET A1
UNLESS SPECIFICALLY TOLERANCED, ALL DIMENSIONS ARE CONSIDERED REFERENCE		