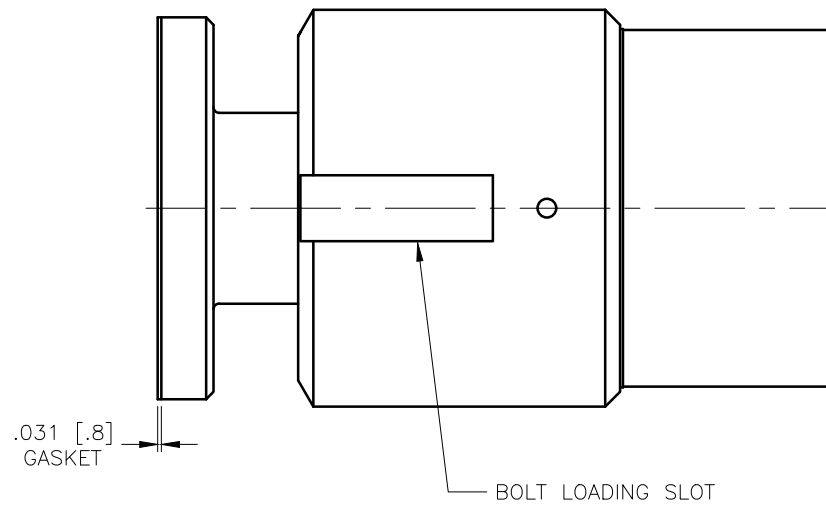
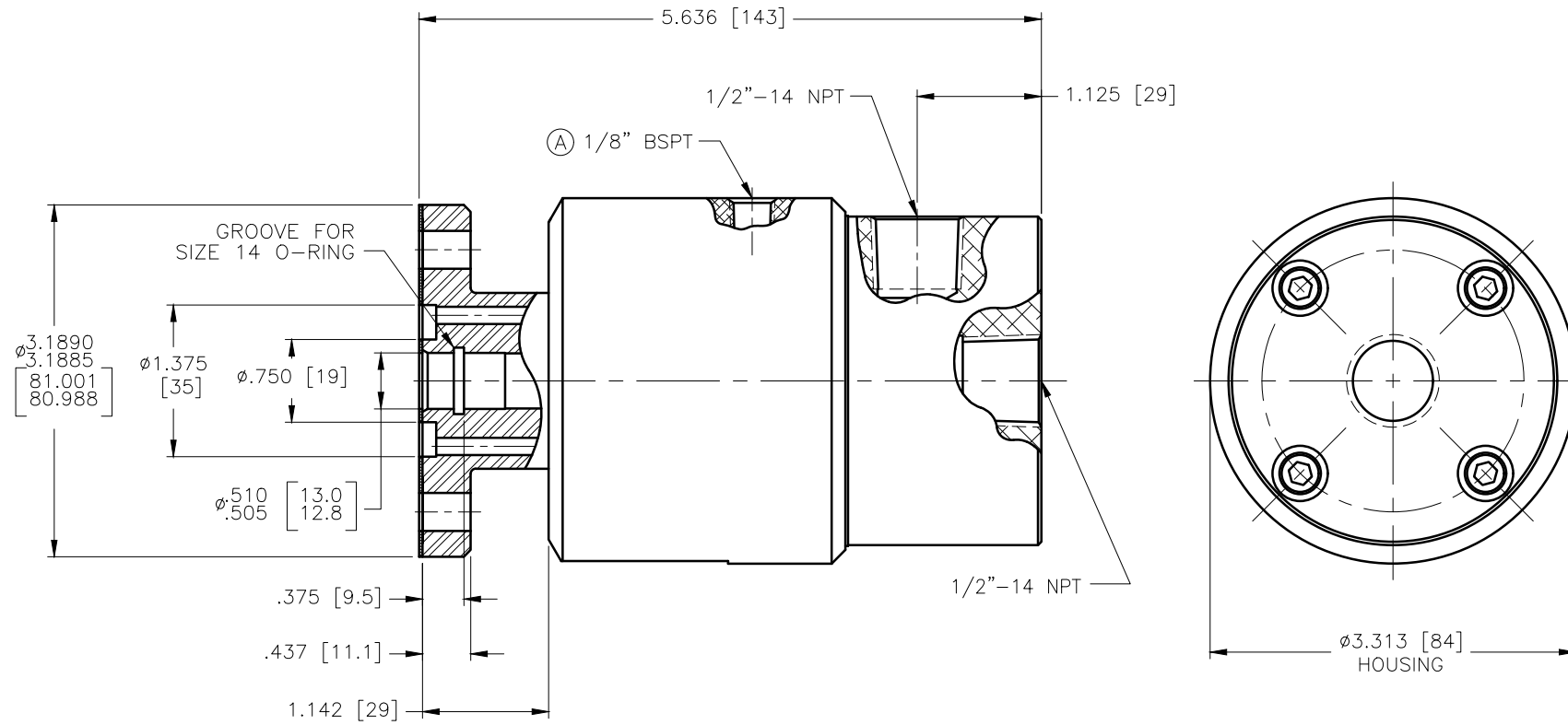
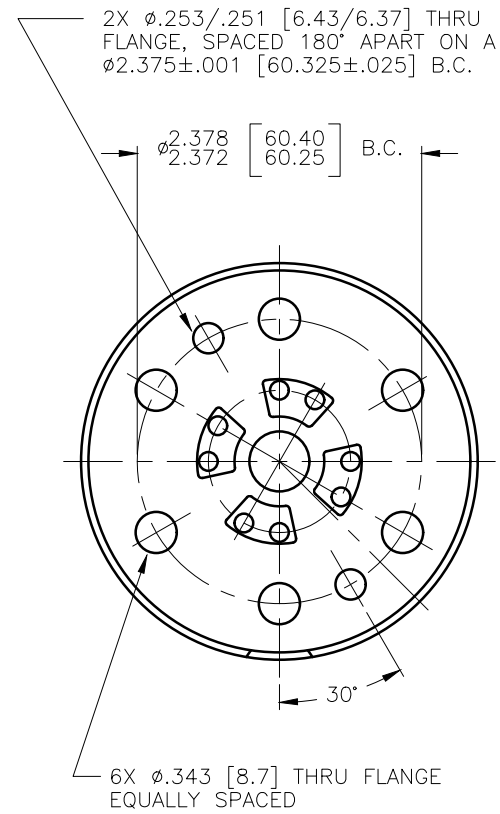


CONFIDENTIAL
 THIS DOCUMENT CONTAINS CONFIDENTIAL AND PROPRIETARY INFORMATION OF DEUBLIN COMPANY. COPYING, USE, TRANSMISSION, DISTRIBUTION, AND DISCLOSURE ARE SUBJECT TO THE TERMS AND CONDITIONS CONTAINED IN YOUR AGREEMENT WITH DEUBLIN COMPANY. ALL RIGHTS RESERVED.

NOTES:

1 - MODEL 1579 UNIONS SHOULD BE RETURNED TO FACTORY FOR SERVICING. SPECIAL TOOLS AND FIXTURES ARE REQUIRED MAKING SERVICING IN THE FIELD IMPRACTICAL.



OPERATING DATA		
MEDIA	HYDRAULIC	
MAX HYD. PRESSURE	1000 PSI	69 bar
MAX SPEED	1500 RPM	1500/min
MAX TEMPERATURE	250°F	121°C

SCALE	1 = 1	DWG SIZE		UNLESS SPECIFICALLY TOLERANCED, ALL DIMENSIONS ARE REFERENCE	 DEUBLIN COMPANY WAUKEGAN, ILLINOIS, U.S.A. TITLE: INTERFACE CONTROL DRAWING OF DEUBLIN UNION 1579-122-IC DWG NO. 1579-122 C.A.D DRAWING
DRN	RM	05/19/05			
ENGR	ARS	05/19/05			
APPD	ARS	05/19/05			
PART NO.	1579-122			DIMENSIONS IN [] ARE IN MILLIMETERS.	
CUSTOMER					
A WAS 1/8" NPT	003848	11/08	NR		
LET.	REVISION	ECO	DATE	SIGN	