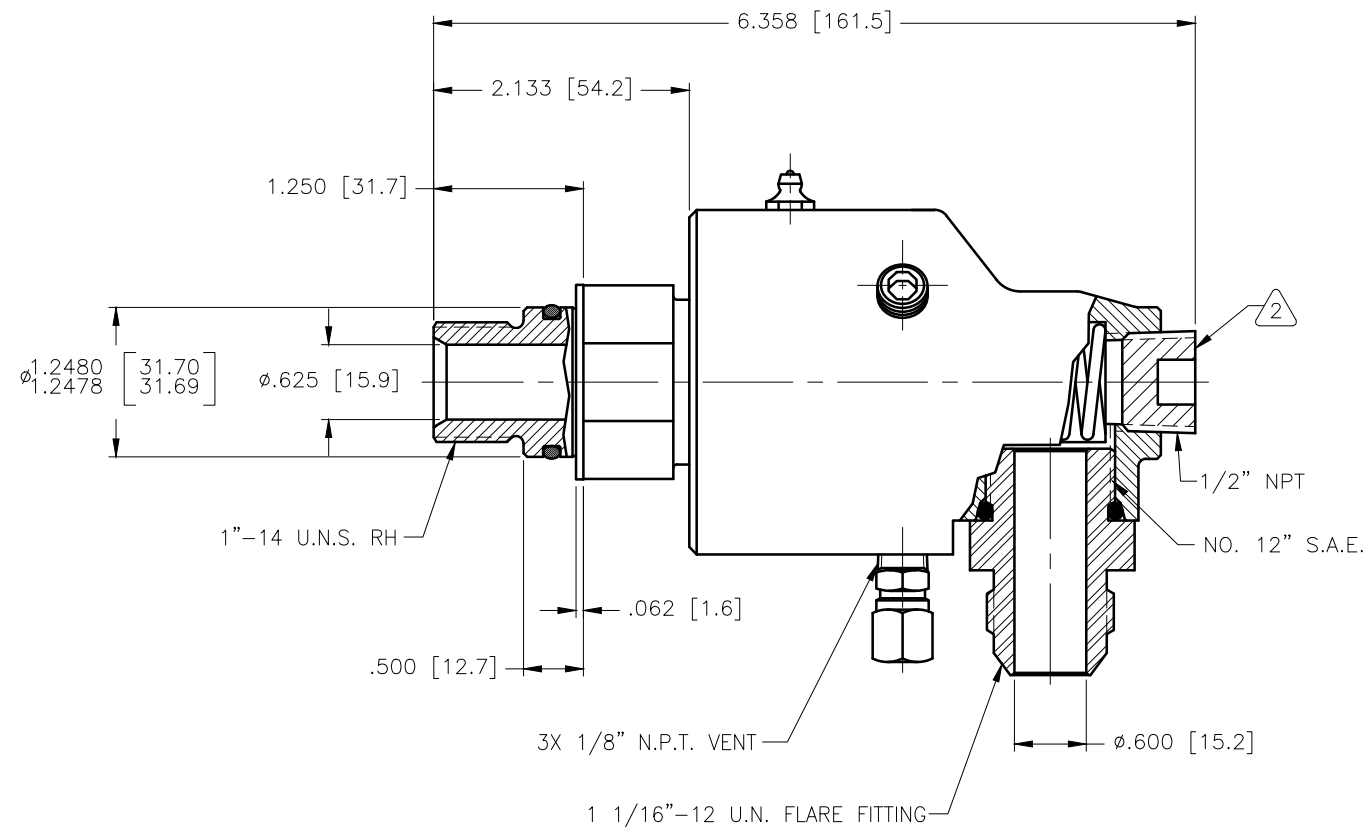
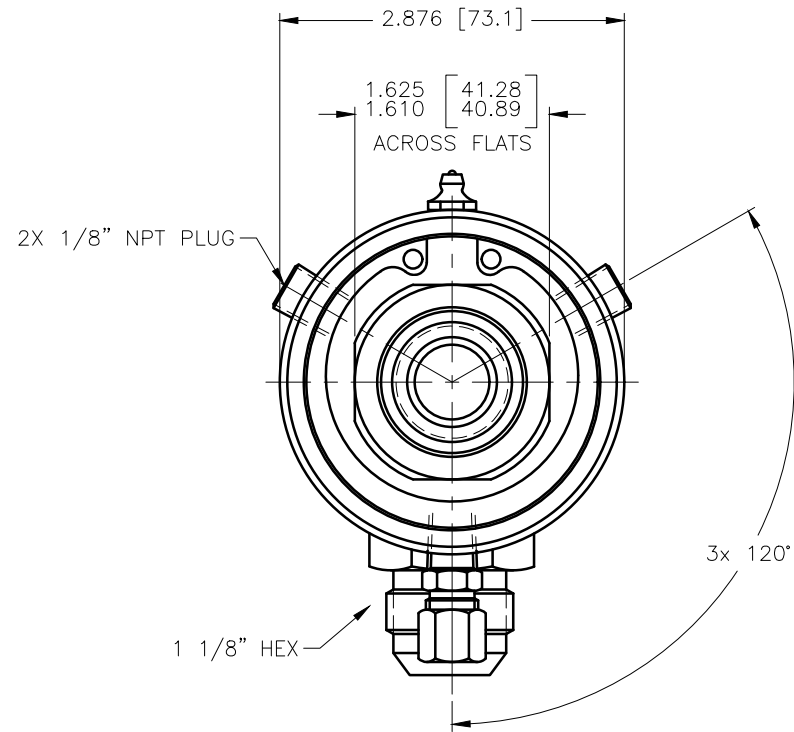


NOTES:

1 - WHEN ORDERING FROM DEUBLIN USE PART NUMBER: 255-381-898.

2 - PLUG INSTALLED HAND TIGHT FROM FACTORY. IF PORT IS NOT UTILIZED, TIGHTEN BEFORE USE.

CONFIDENTIAL
THIS DOCUMENT CONTAINS CONFIDENTIAL AND PROPRIETARY INFORMATION OF DEUBLIN COMPANY. COPYING, USE, TRANSMISSION, DISTRIBUTION, AND DISCLOSURE ARE SUBJECT TO THE TERMS AND CONDITIONS CONTAINED IN YOUR AGREEMENT WITH DEUBLIN COMPANY. ALL RIGHTS RESERVED.



SCALE	1:1	DWG SIZE	B	UNLESS SPECIFICALLY TOLERANCED, ALL DIMENSIONS ARE REFERENCE	DEUBLIN COMPANY WAUKEGAN, ILLINOIS, U.S.A.
DRW	NR	07/19/07			
ENGR	EL	07/19/07			
APPD	EL	07/19/07			
PART NO.	255-381-898			DIMENSIONS IN [] ARE IN MILLIMETERS.	TITLE: INTERFACE CONTROL DRAWING OF DEUBLIN UNION 255-381-898
CUSTOMER					
LET.	REVISION	ECO	DATE	SIGN	DWG NO. 255-381-898-IC C.A.D. DRAWING