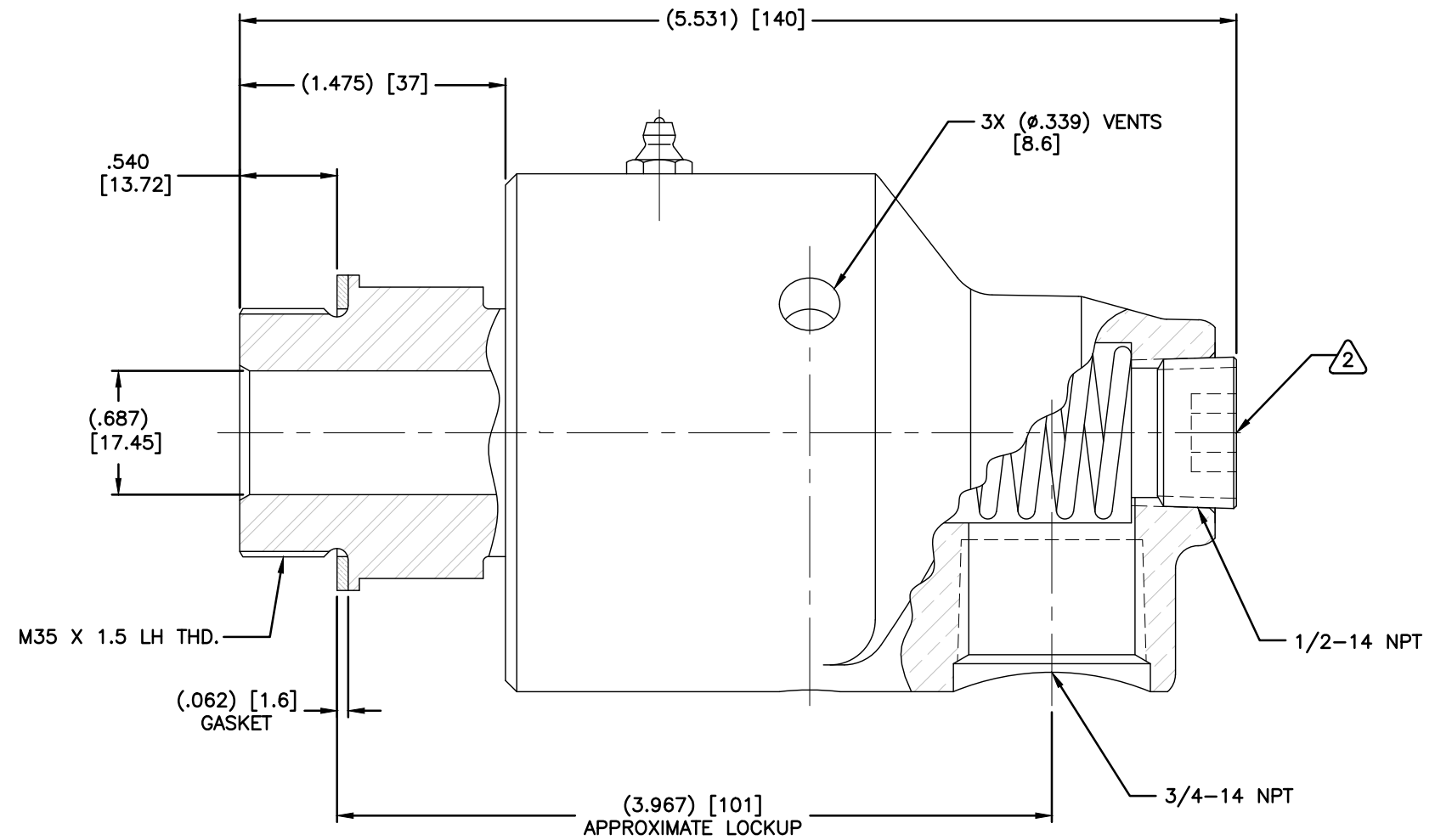
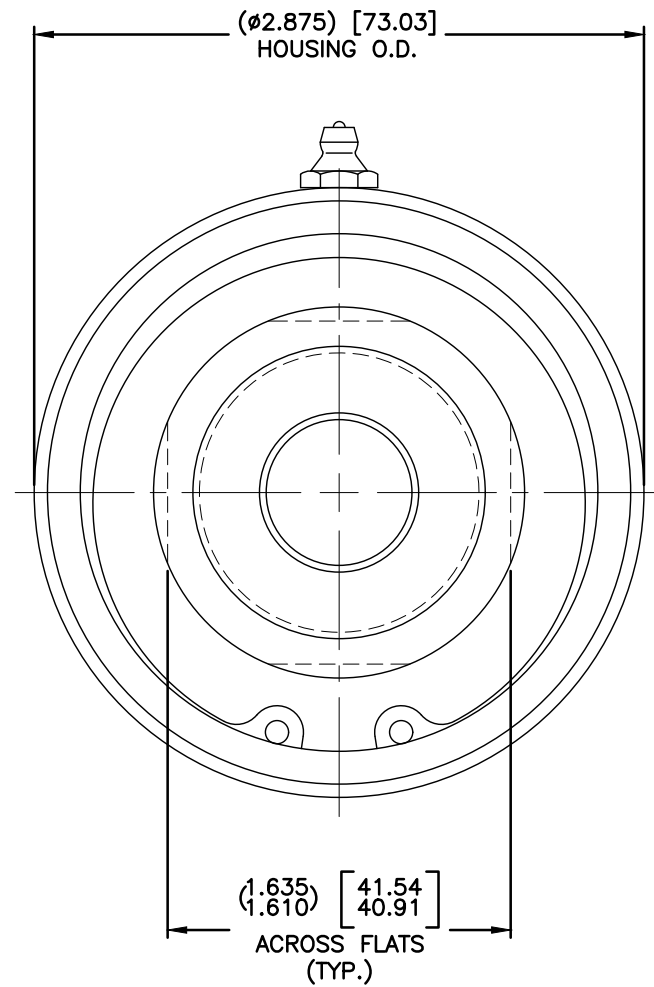


NOTES:

- 1 - WHEN ORDERING FROM DEUBLIN USE PART NUMBER: 255-000-015.
- 2 - PLUG INSTALLED HAND TIGHT FROM FACTORY. IF PORT IS NOT UTILIZED, TIGHTEN BEFORE USE.



CONFIDENTIAL
THIS DOCUMENT CONTAINS CONFIDENTIAL AND PROPRIETARY INFORMATION OF DEUBLIN COMPANY. COPYING, USE, TRANSMISSION, DISTRIBUTION, AND DISCLOSURE ARE SUBJECT TO THE TERMS AND CONDITIONS CONTAINED IN YOUR AGREEMENT WITH DEUBLIN COMPANY. ALL RIGHTS RESERVED.

DEUBLIN COMPANY
WAUKEGAN, ILLINOIS, U.S.A.

TITLE: INTERFACE CONTROL
DRAWING FOR DEUBLIN
UNION 255-000-015

DWG. NO. 255-000-015-IC
C.A.D. DRAWING

SCALE	1.66:1	DWG SIZE	C
DRN	JMC	02/19/04	
ENGR			
APPD			
PART NO.	255-000-015		
CUSTOMER			
A	REVISED DIMENSIONING FORMAT	07/04	LG
LET.	REVISION	ECD	DATE SIGN

UNLESS SPECIFICALLY TOLERANCED, ALL DIMENSIONS ARE REFERENCE
DIMENSIONS IN [] ARE IN MILLIMETERS.