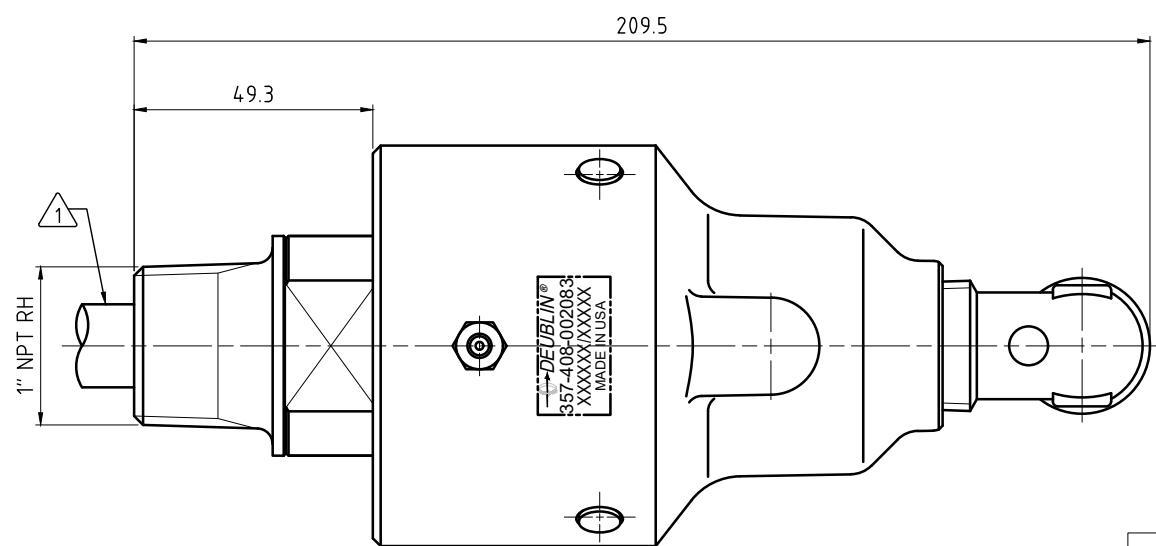
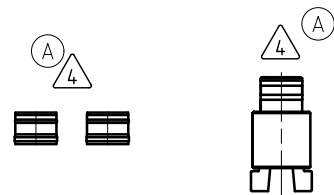
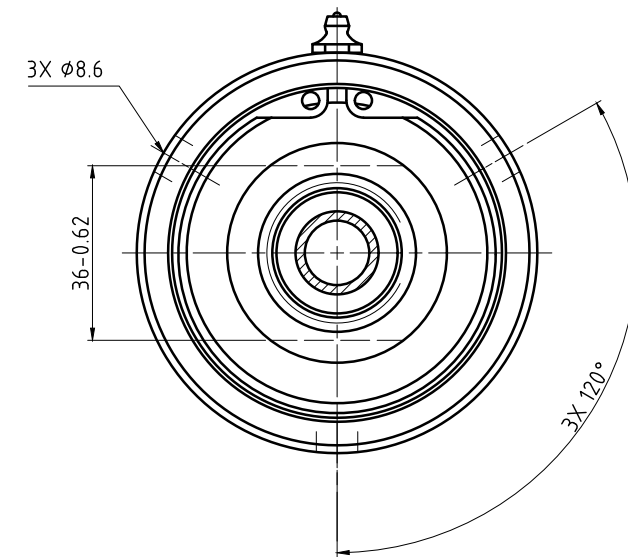
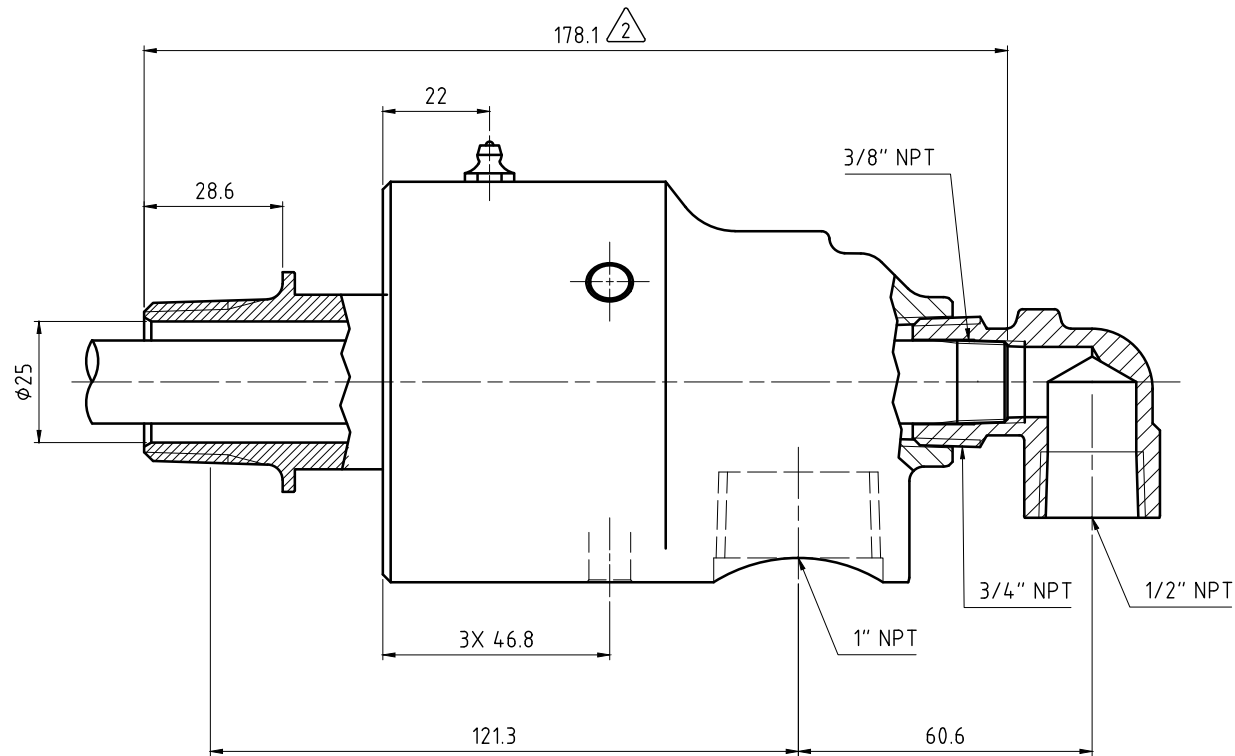
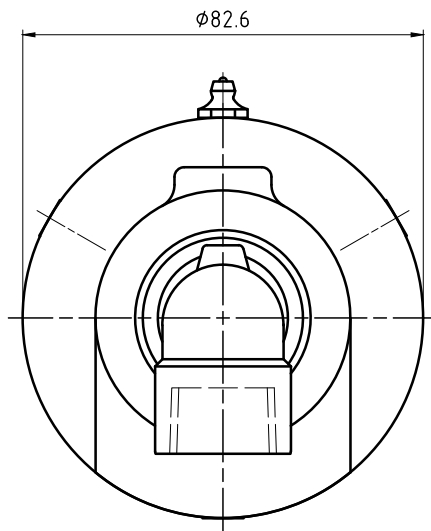


CONFIDENTIAL  
 THIS DOCUMENT CONTAINS CONFIDENTIAL AND PROPRIETARY INFORMATION OF DEUBLIN COMPANY. COPYING, USE, TRANSMISSION, DISTRIBUTION, AND DISCLOSURE ARE SUBJECT TO THE TERMS AND CONDITIONS CONTAINED IN YOUR AGREEMENT WITH DEUBLIN COMPANY. ALL RIGHTS RESERVED.

NOTES:

- ① - PIPE SUPPLIED BY CUSTOMER.
- ② - PIPE LENGTH.
- 3 - BEARINGS LUBED WITH LUBRIPLATE SUPER FGL-1.
- ④ - 2 VENT PLUGS AND TUBE CARTRIDGE SUPPLIED LOOSE FOR CUSTOMER TO INSTALL, WITH CARTRIDGE AT 6 O'CLOCK POSITION.



OPERATING DATA		
MEDIA	WATER	
MAX WATER PRESSURE	150 PSI	10 bar
MAX WATER TEMP.	200°F	93°C
MAX SPEED	1500 RPM	1500/min

<b>DEUBLIN</b> Engineered for Performance		PROJECTION: 	SCALE: 1:1
		MATERIAL: INTERFACE CONTROL DRAWING	
		DATE	NAME
		DRN. 05/21/13	N. Reyna
		ENGR. 05/21/13	L. Freed
		APPD.	
		TITLE: DEUBLIN UNION	
		NO. 357-408-002083	
A ADD NOTE 4 023496 05/13 RA		UNLESS SPECIFICALLY TOLERANCED, ALL DIMENSIONS ARE CONSIDERED REFERENCE	
ISSUE	MODIFICATION	ECO	DATE
			SIGN
			SHEET A3