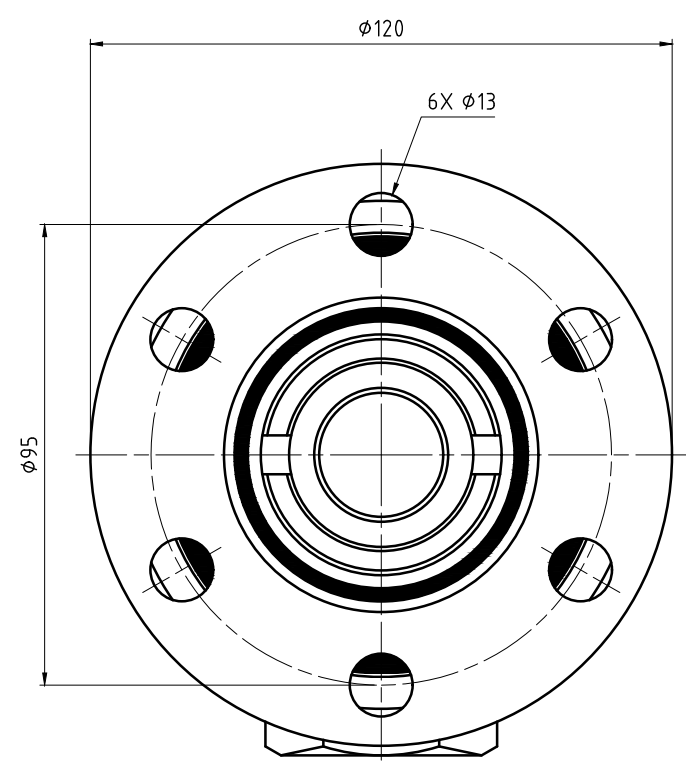
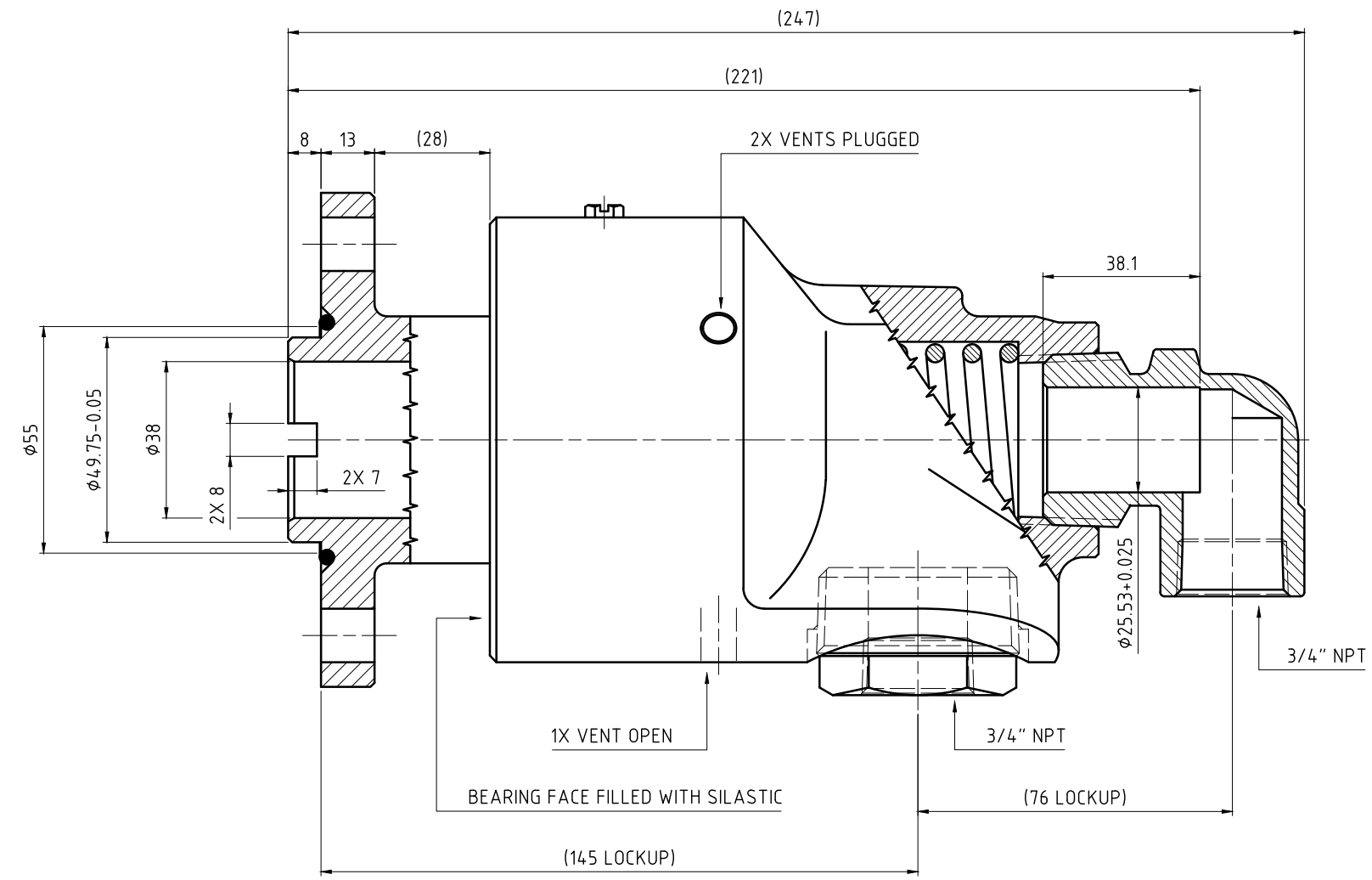


CONFIDENTIAL  
 THIS DOCUMENT CONTAINS CONFIDENTIAL AND PROPRIETARY  
 INFORMATION OF DEUBLIN COMPANY. COPYING, USE,  
 TRANSMISSION, DISTRIBUTION, AND DISCLOSURE ARE SUBJECT  
 TO THE TERMS AND CONDITIONS CONTAINED IN YOUR  
 AGREEMENT WITH DEUBLIN COMPANY. ALL RIGHTS RESERVED.



**OPERATING DATA:**  
 WATER SERVICE  
 10 bar MAX. PRESSURE  
 1000 RPM MAX. SPEED  
 93°C MAX. MEDIA TEMPERATURE

DEUBLIN COMPANY WAUKEGAN, ILLINOIS, U.S.A.		PROJECTION: 	SCALE: 1:1 MATERIAL:
DRN. 08/02/12 GA ENGR. 08/02/12 GA APPD.		DATE NAME 08/02/12 GA 08/02/12 GA	TITLE: <b>INSTALLATION DRAWING</b> <b>UNION 557-134-495144</b>
ISSUE MODIFICATION ECO DATE SIGN		NO. <b>557-134-495144</b>	SHEET A2

UNLESS SPECIFICALLY TOLERANCED, ALL DIMENSIONS ARE CONSIDERED REFERENCE