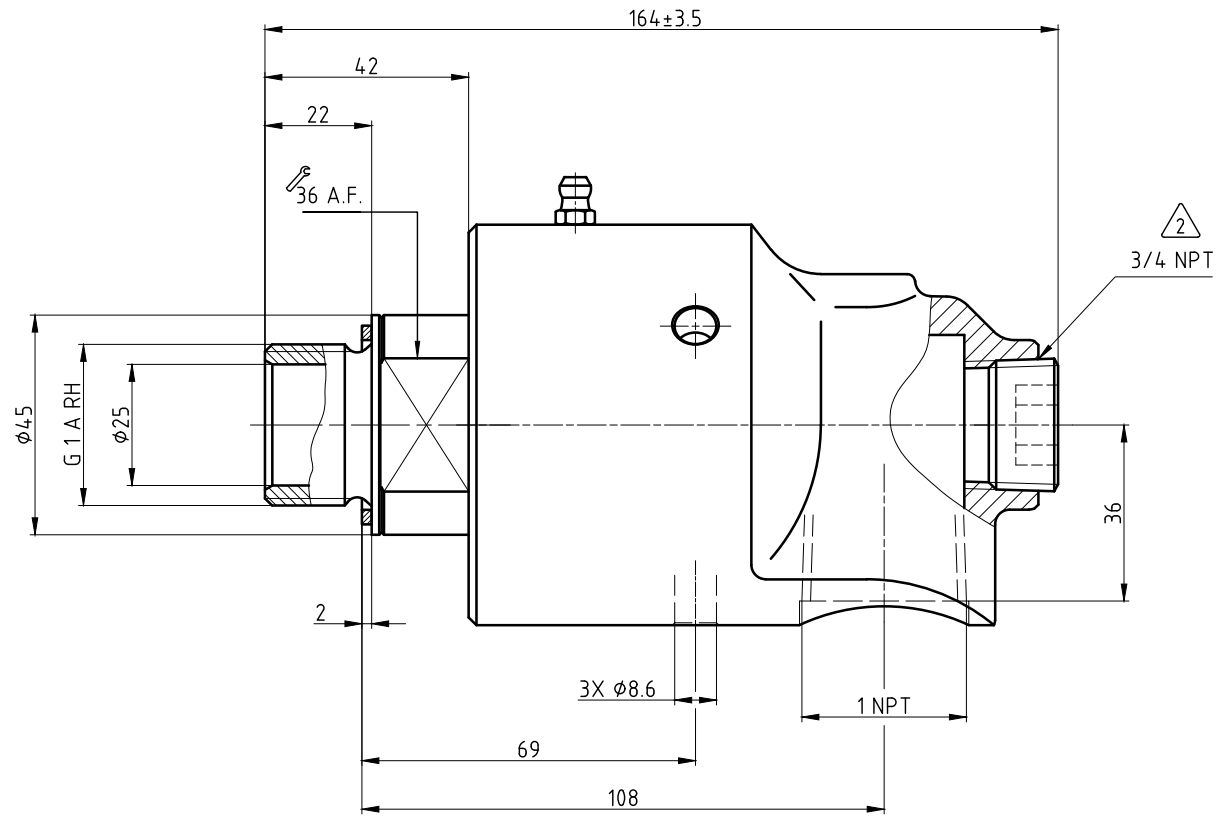
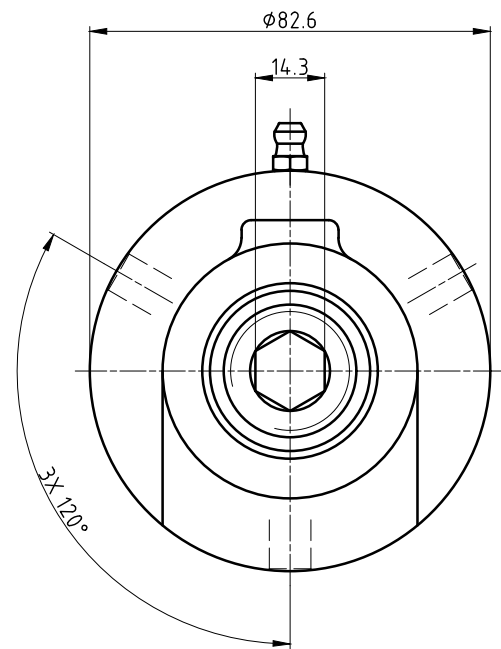


CONFIDENTIAL
 THIS DOCUMENT CONTAINS CONFIDENTIAL AND PROPRIETARY
 INFORMATION OF DEUBLIN COMPANY. COPYING, USE,
 TRANSMISSION, DISTRIBUTION, AND DISCLOSURE ARE SUBJECT
 TO THE TERMS AND CONDITIONS CONTAINED IN YOUR
 AGREEMENT WITH DEUBLIN COMPANY. ALL RIGHTS RESERVED.

NOTES:

1 - CONTACT DEUBLIN OR VISIT WWW.DEUBLIN.COM
 FOR INSTRUCTION MANUAL: 040-550

2 - PLUG INSTALLED HAND TIGHT FROM FACTORY. IF PORT IS NOT UTILIZED,
 TIGHTEN BEFORE USE.



OPERATING DATA			
MEDIA	WATER	SATURATED STEAM (INTERMITTENT)	HOT OIL
PRESSURE MAX.	50 bar	1 bar	6.6 bar
SPEED MAX.	3000 min ⁻¹		
TEMPERATURE MAX.	120 °C		
DRY RUN (WITHOUT ANY MEDIA)	NO		



PROJECTION:  SCALE: 1:1
 MATERIAL: INTERFACE CONTROL DRAWING

DATE	NAME	TITLE
DRN. 23.04.2014	CW	DEUBLIN ROTATING UNION DEUBLIN Drehdurchführung
ENGR. 23.04.2014	FD	
APPD.		

NO. 355-000-222

ISSUE MODIFICATION ECO DATE SIGN

UNLESS SPECIFICALLY TOLERANCED, ALL
 DIMENSIONS ARE CONSIDERED REFERENCE

SHEET
A2