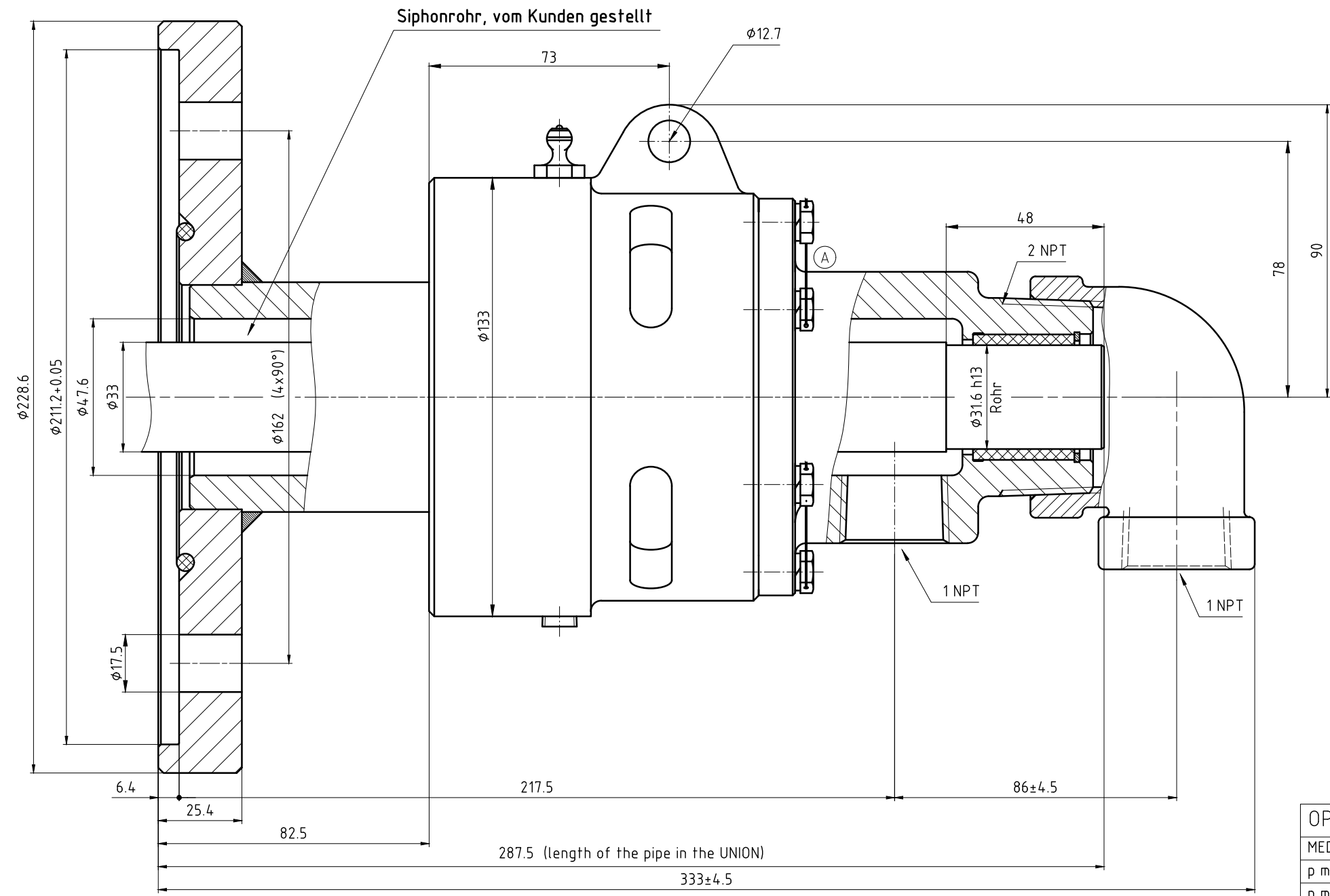
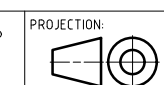


CONFIDENTIAL
 THIS DOCUMENT CONTAINS CONFIDENTIAL AND PROPRIETARY
 INFORMATION OF DEUBLIN COMPANY. COPYING, USE,
 TRANSMISSION, DISTRIBUTION, AND DISCLOSURE ARE SUBJECT
 TO THE TERMS AND CONDITIONS CONTAINED IN YOUR
 AGREEMENT WITH DEUBLIN COMPANY. ALL RIGHTS RESERVED.

φ80 f7 -0.030 -0.080 79.970 79.940
 Maß Passung



OPERATING DATA / Betriebsdaten		
MEDIA/Medium	Water	Wasser
p max.	150 PSI	10 bar
n max.	750 RPM	750 1/min
t max.	250 °F	120 °C
TORQUE/Drehmoment	8 FT.LBS	10.9 Nm
FILTRATION/Filterung	60 μm	60 μm
DRY RUN/Trockenlauf	not possible	nicht möglich



PROJECTION: SCALE: 1:1

MATERIAL: INTERFACE CONTROL DRAWING

DATE	NAME	TITLE
DRN. 24.04.2002	V. Wiege	DEUBLIN ROTATING UNION DEUBLIN Drehdurchführung
ENGR. 24.04.2002	Ch. Wolf	
APPD.		

ISSUE	MODIFICATION	ECO	DATE	DATE	HS	SIGN
A	ADDED LOCK-WIRE	020914	29.11.12			

NO. 6200-002-115 SHEET A2

UNLESS SPECIFICALLY TOLERANCED, ALL DIMENSIONS ARE CONSIDERED REFERENCE