

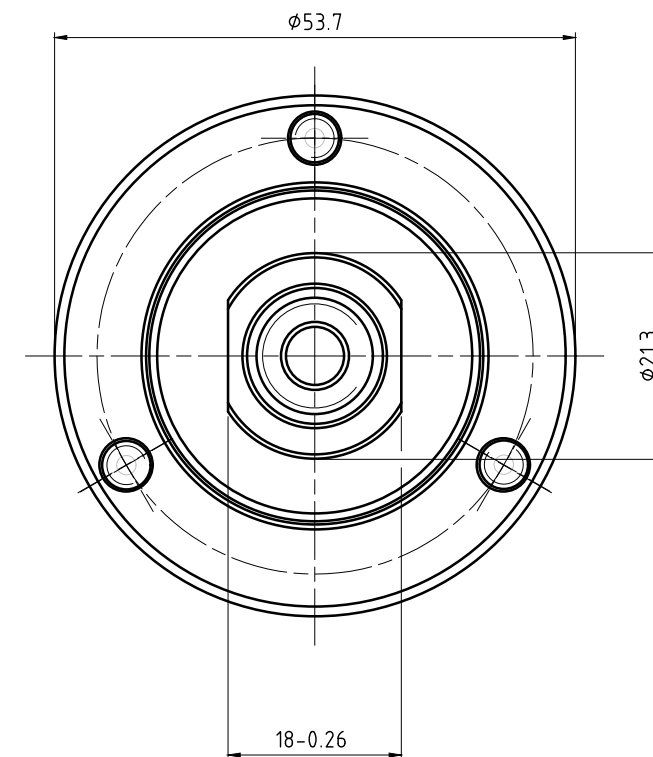
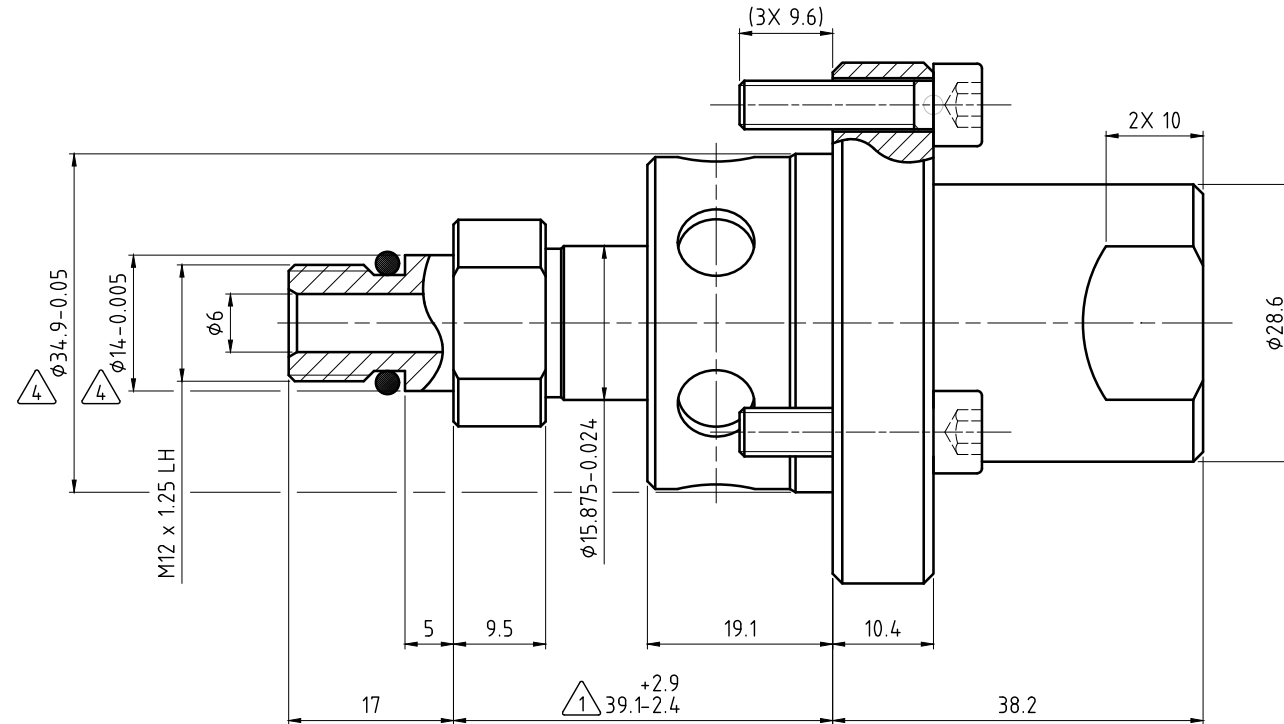
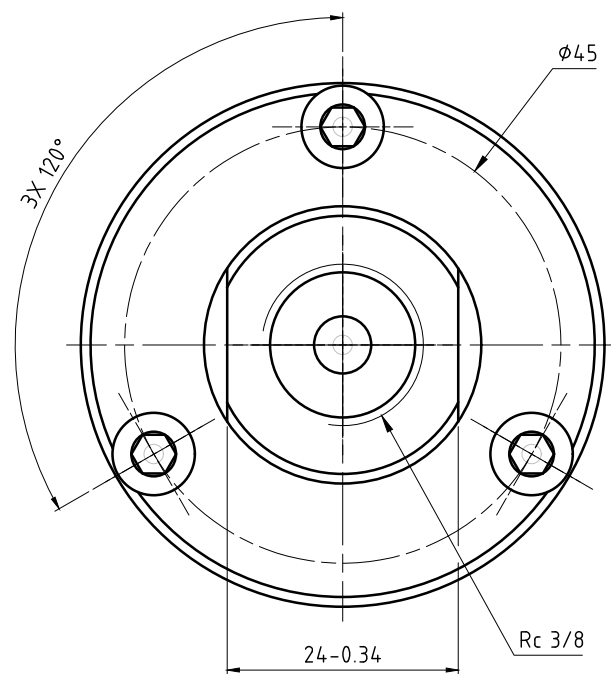
CONFIDENTIAL  
 THIS DOCUMENT CONTAINS CONFIDENTIAL AND PROPRIETARY INFORMATION OF DEUBLIN COMPANY. COPYING, USE, TRANSMISSION, DISTRIBUTION, AND DISCLOSURE ARE SUBJECT TO THE TERMS AND CONDITIONS CONTAINED IN YOUR AGREEMENT WITH DEUBLIN COMPANY. ALL RIGHTS RESERVED.

NOTES:

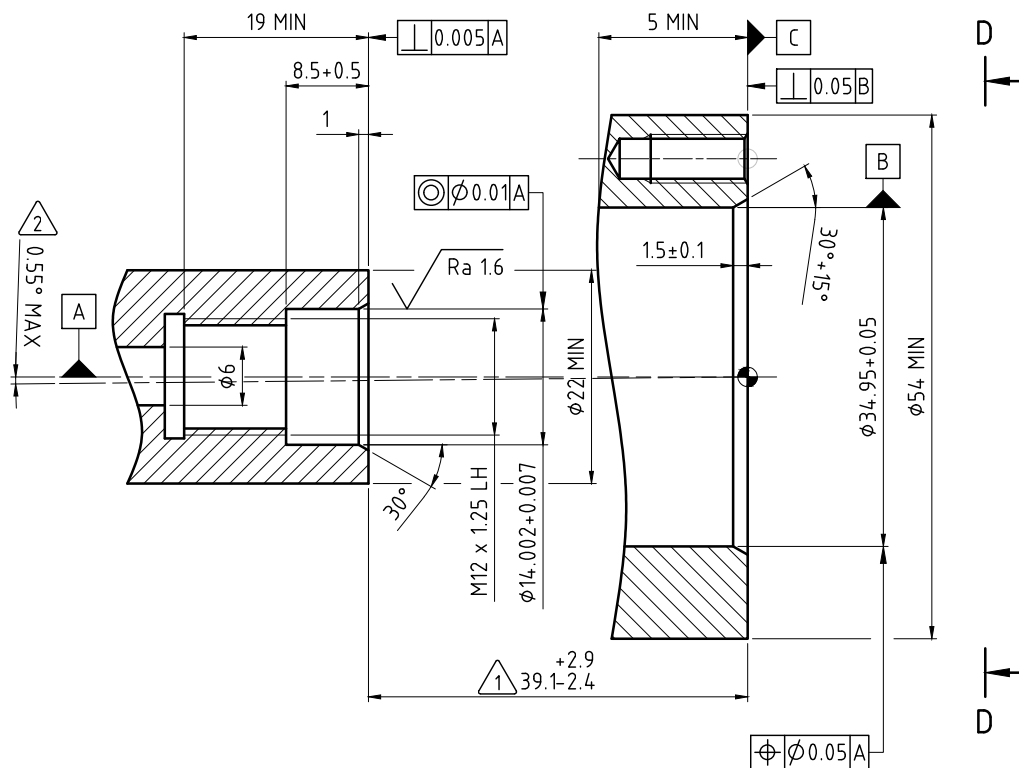
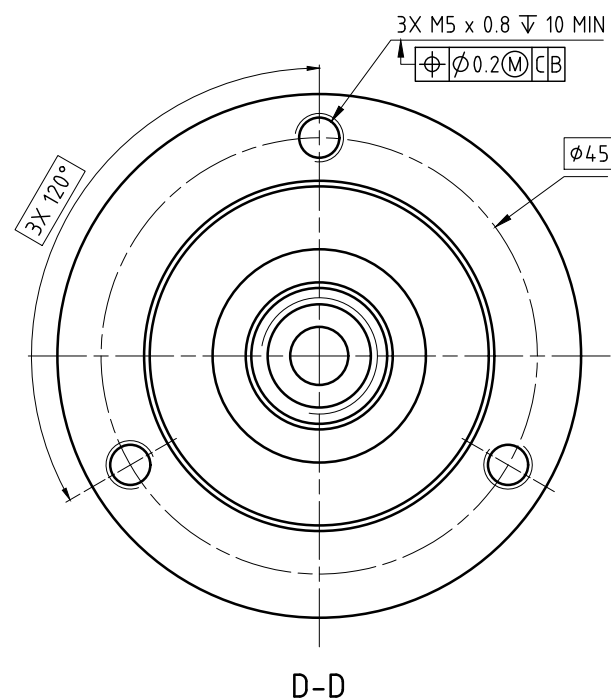
- ① - MOUNTING DIMENSION
- ② - ACCEPTABLE ANGULAR MIS-ALIGNMENT FROM PIVOT POINT AT ANY MOUNTING DISTANCE.

3 - CONTACT DEUBLIN OR VISIT WWW.DEUBLIN.COM  
 FOR INSTRUCTION MANUAL: 040-557 and 040-508.

- ④ - CRITICAL DIMENSION.



CUSTOMER INTERFACE



OPERATING DATA		
MEDIA	COOLANT	MQL or AIR
PRESSURE	MAXIMUM	140 bar
	MINIMUM	3 bar
FLOW RATE	MAXIMUM	24.3 L/min
	MINIMUM	5.7 L/min
TEMPERATURE	MAXIMUM	70 °C
	MINIMUM	5 °C
MAXIMUM SPEED	40000 min <sup>-1</sup>	
AXIAL FORCE	12.7 N/bar	
DRY RUN	UNLIMITED	
RECOMMENDED FILTRATION	ISO 4406 CLASS 17/15/12	

U.S. PATENT 7,815,224

		PROJECTION:	SCALE: 2:1
E WAS BAR 053071 08/19 LG		DATE: 03/12/2015	NAME: galindolm
D ADDED U.S./DMS 051786 04/19 DO		DRN: 03/17/15	ENGR: lfreed
C REV DESIGN/OPDATA 051398 04/19 LG		APPD:	
B WAS CONCENTRIC WAS 043525 08/17 LG			
A DZ CONCENTRIC WAS 01 -- --			
CORRECTED OP DATA 043171 07/17 LG			
ISSUE MODIFICATION ECO		DATE:	SIGN:

MATERIAL: INTERFACE CONTROL DRAWING	
TITLE: BEARINGLESS UNION, AUTOSENSE, M12x1.25 LH 14MM PLT RTR	
NO. 1124-400-327	SHEET A2

UNLESS SPECIFICALLY TOLERANCED, ALL DIMENSIONS ARE CONSIDERED REFERENCE