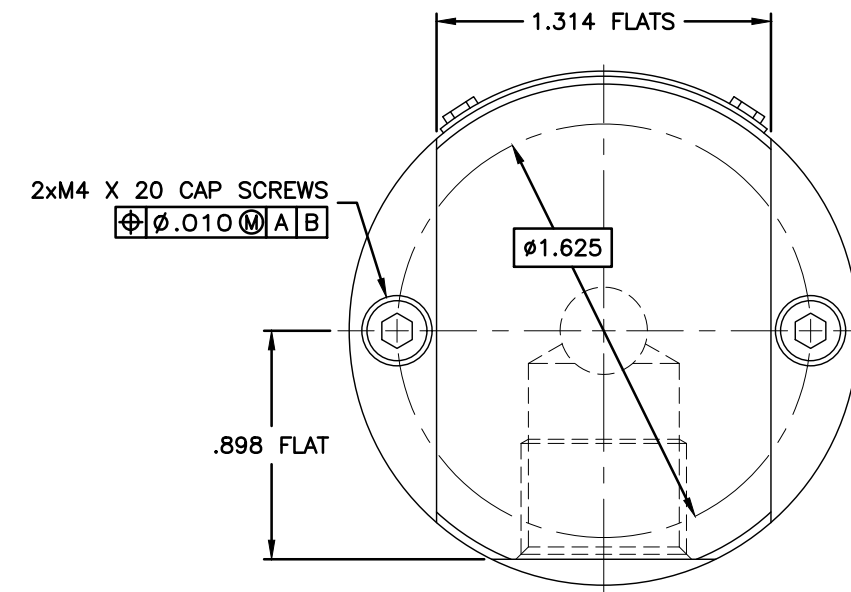
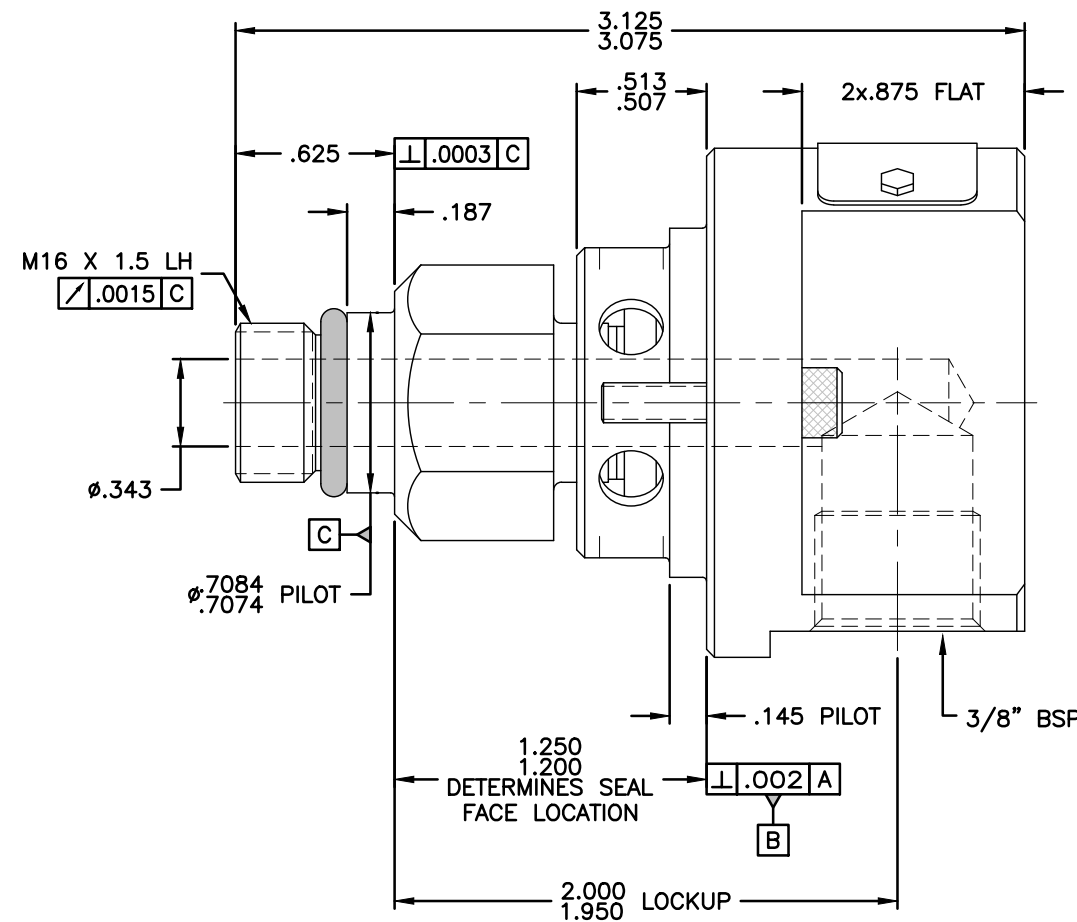
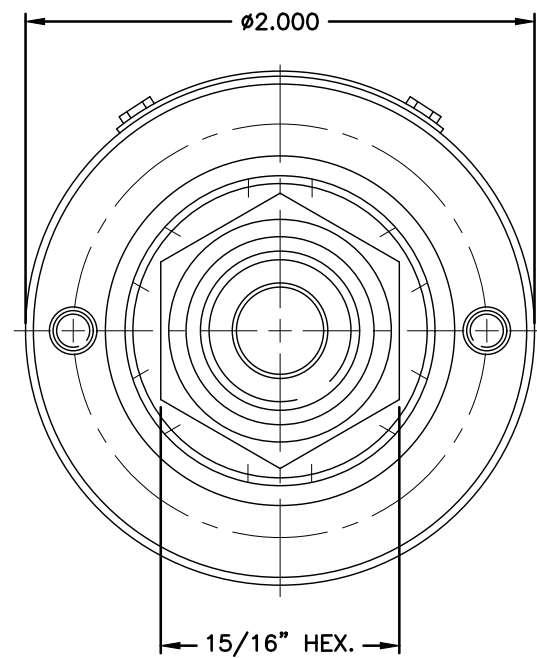


NOTES:

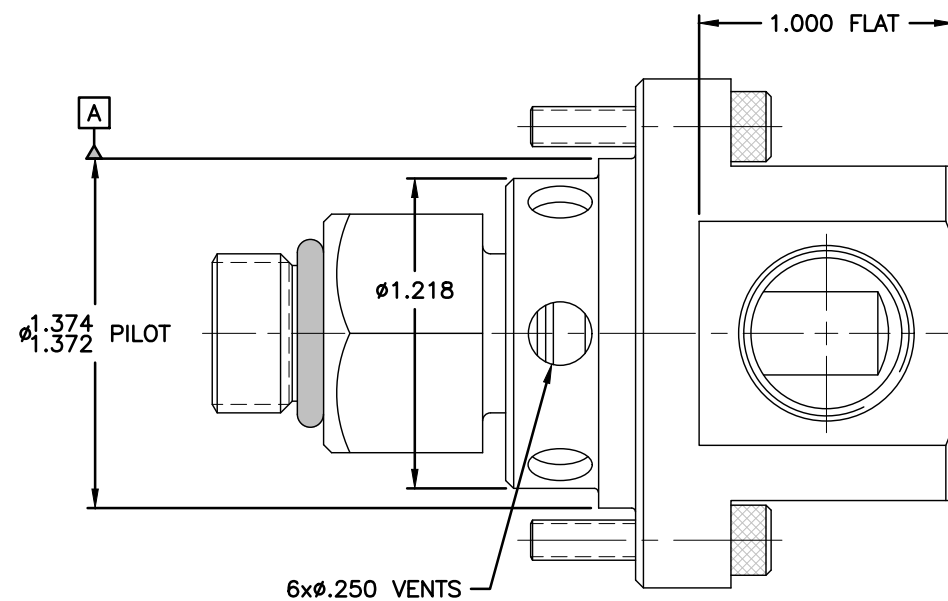
1 - WHEN ORDERING FROM DEUBLIN USE PART NUMBER: 1117-057-116

DWG. NO.

1117-057-116



**OPERATING DATA:**  
 COOLANT SERVICE  
 2000 PSI MAX. PRESSURE  
 20,000 RPM MAX. SPEED  
 160°F MAX. TEMPERATURE  
 13.8 GPM MAX. FLOW  
**\*\*NOTE\*\***  
 FOR EVERY 100 PSI OF COOLANT PRESSURE, APPROXIMATELY 20 LBS. OF FORCE IS EXERTED ON THE UNION SIDE OF THE SPINDLE.



CONFIDENTIAL  
 THIS DOCUMENT CONTAINS CONFIDENTIAL AND PROPRIETARY INFORMATION OF DEUBLIN COMPANY. COPYING, USE, TRANSMISSION, DISTRIBUTION, AND DISCLOSURE ARE SUBJECT TO THE TERMS AND CONDITIONS CONTAINED IN YOUR AGREEMENT WITH DEUBLIN COMPANY. ALL RIGHTS RESERVED.

**DEUBLIN** COMPANY  
 WAUKEGAN, ILLINOIS, U.S.A.

TITLE: INTERFACE CONTROL  
 DRAWING FOR DEUBLIN UNION 1117-057-116

DWG. NO. 1117-057-116  
 C.A.D. DRAWING

SCALE	DWG. SIZE	C
DWG. ENGR.	GA	10/28/05
APPD.		
PART NO.	1117-057-116	
CUSTOMER		
LET.	REVISION	ECO DATE SIGN

UNLESS SPECIFICALLY TOLERANCED, ALL DIMENSIONS ARE REFERENCE  
 DIMENSIONS IN [ ] ARE IN MILLIMETERS.