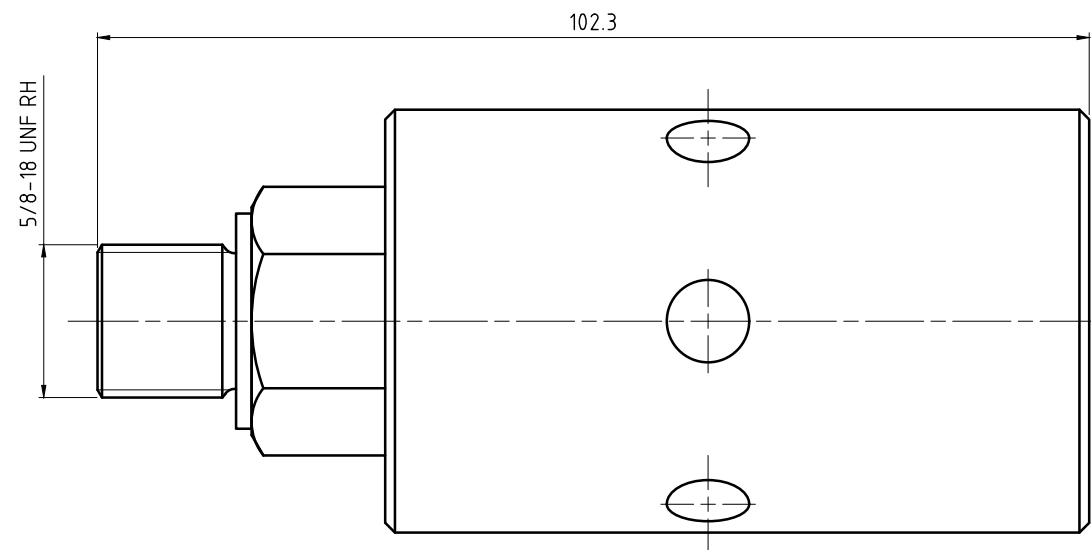
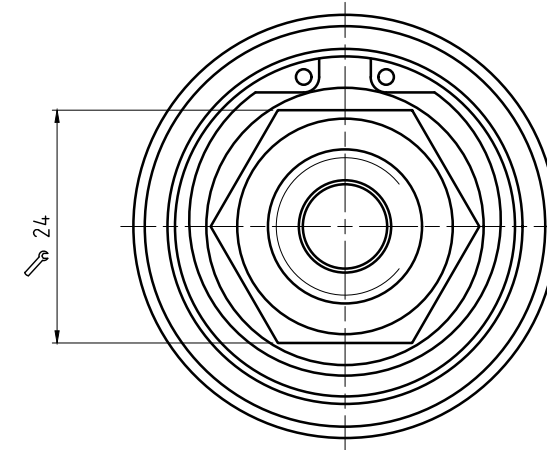
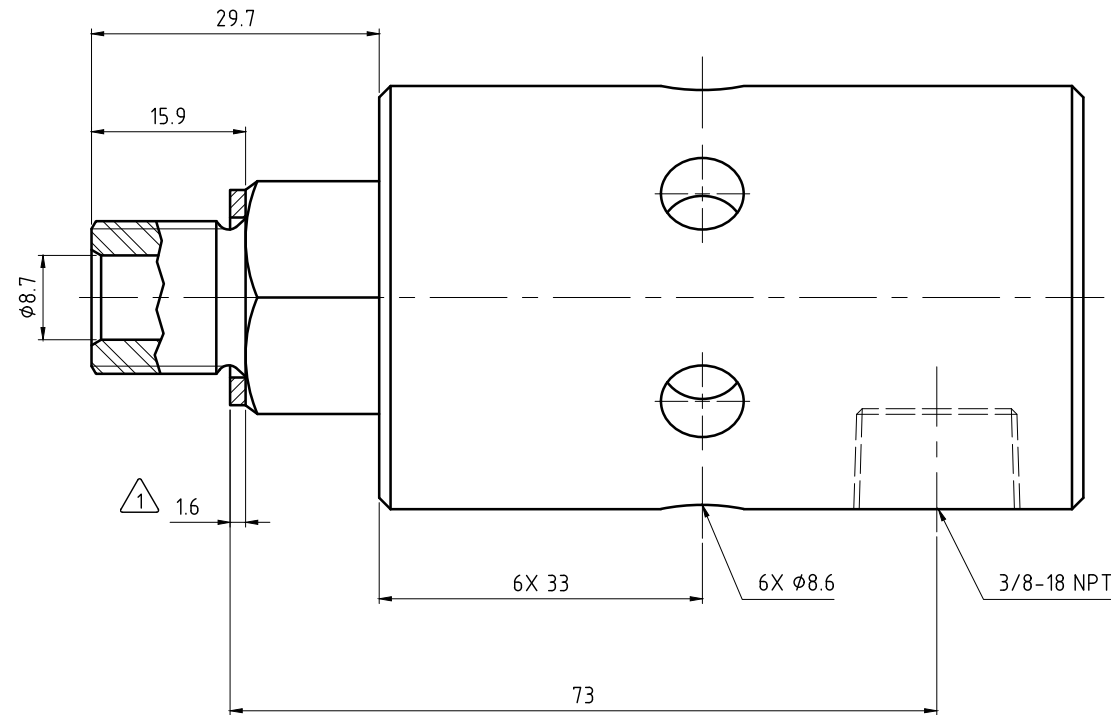
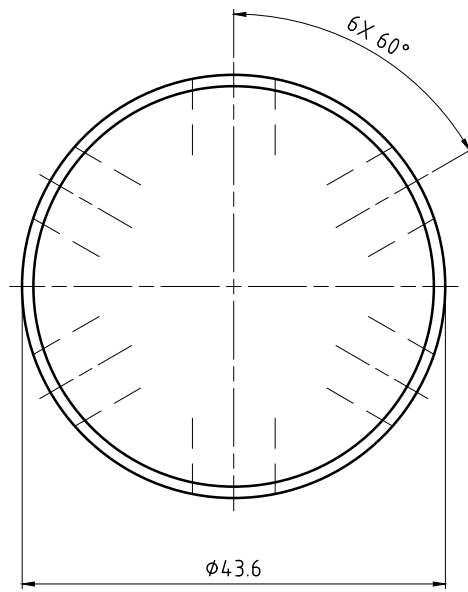


CONFIDENTIAL
 THIS DOCUMENT CONTAINS CONFIDENTIAL AND PROPRIETARY INFORMATION OF DEUBLIN COMPANY. COPYING, USE, TRANSMISSION, DISTRIBUTION, AND DISCLOSURE ARE SUBJECT TO THE TERMS AND CONDITIONS CONTAINED IN YOUR AGREEMENT WITH DEUBLIN COMPANY. ALL RIGHTS RESERVED.

NOTES:
 △ - GASKET THICKNESS.



OPERATING DATA		
MEDIA	HYDRAULIC	
MAX PRESSURE	1000 PSI	70 bar
MAX SPEED	3,500 RPM	3,500/min
MAX FLOW RATE	13.8 GPM	50 L/min
MAX TEMPERATURE	250°F	121°C



PROJECTION:  SCALE: 2:1
 MATERIAL: INTERFACE CONTROL DRAWING

DATE	NAME	TITLE
DRN. 01/27/16	N. Reyna	DEUBLIN UNION
ENGR. 01/27/16	T. Wilson	
APPD.		

NO. 1116-794-249

ISSUE MODIFICATION ECO DATE SIGN UNLESS SPECIFICALLY TOLERANCED, ALL DIMENSIONS ARE CONSIDERED REFERENCE

SHEET A2