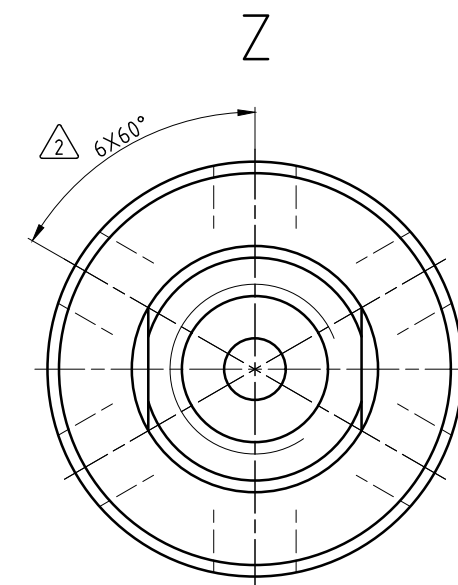
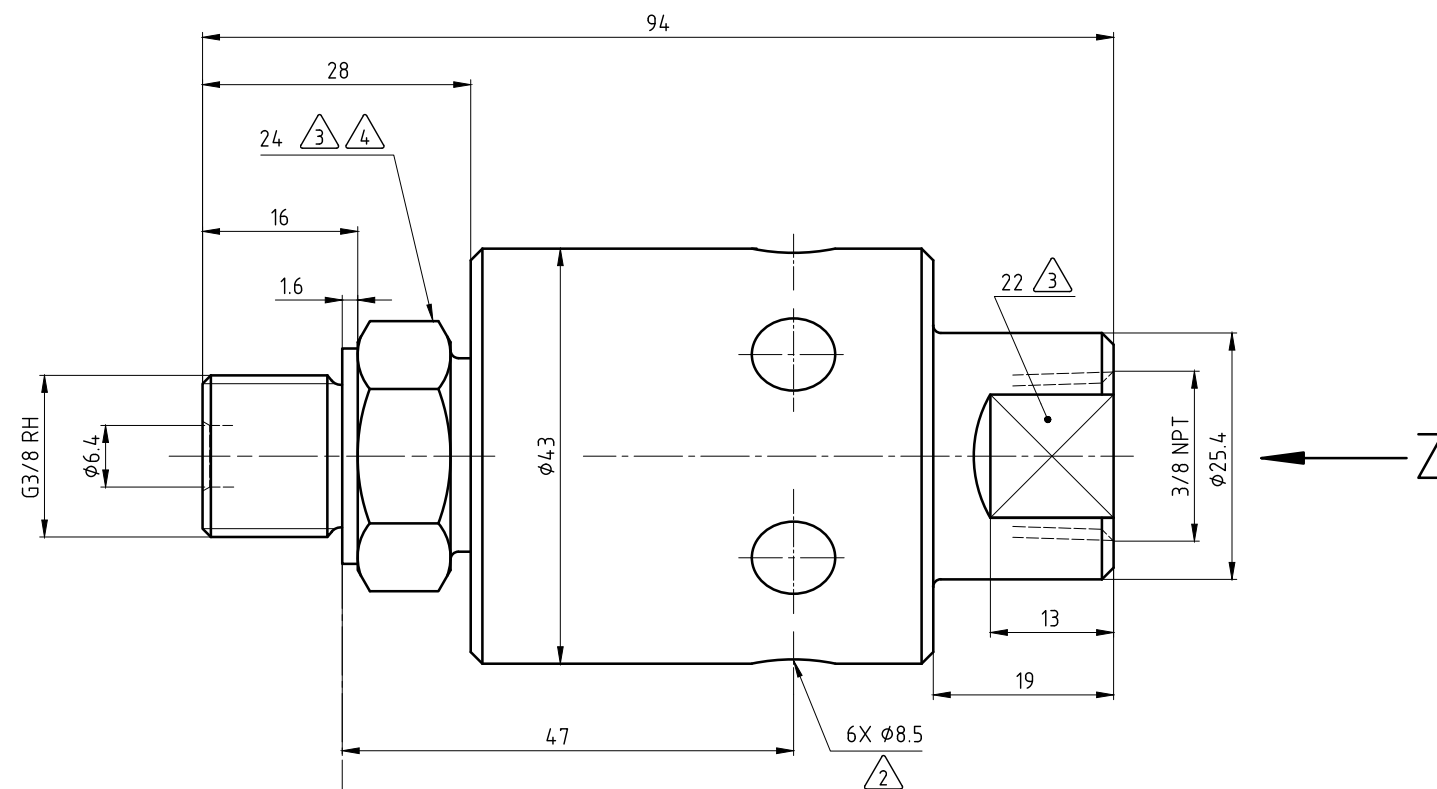
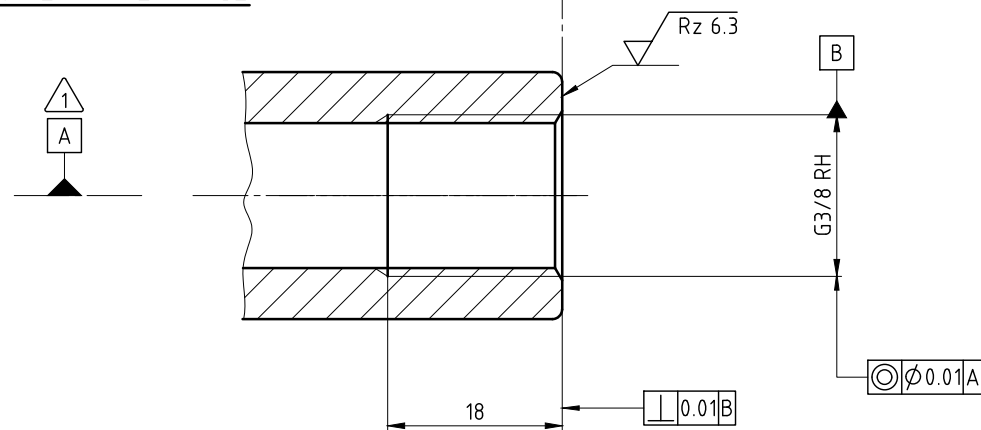


NOTES:

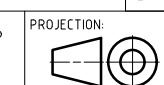
- ① - SPINDLE BEARING ARRANGEMENT.
- ② - DRAIN HOLE
- ③ - HEXAGON, ACROSS FLATS.
- ④ - TORQUE TO 25 Nm +/- 1 Nm.



CUSTOMER INTERFACE



OPERATING DATA	
MEDIA	COOLANT
MAXIMUM PRESSURE	105 bar
MAXIMUM SPEED	3500 1/min
MAXIMUM TEMPERATURE	70 °C
MAXIMUM FLOW	20 L/min
FILTRATION	60 µm
DRY RUN	NOT POSSIBLE



DATE	NAME
DRN. 31.11.2012	EG
ENGR. 31.11.2012	CW
APPD.	

SCALE: 2:1	MATERIAL: INTERFACE CONTROL DRAWING
TITLE: DEUBLIN ROTATING UNION DEUBLIN Drehdurchführung	
NO. 1101-235-390	SHEET A2

UNLESS SPECIFICALLY TOLERANCED, ALL DIMENSIONS ARE CONSIDERED REFERENCE

ISSUE MODIFICATION ECO DATE SIGN