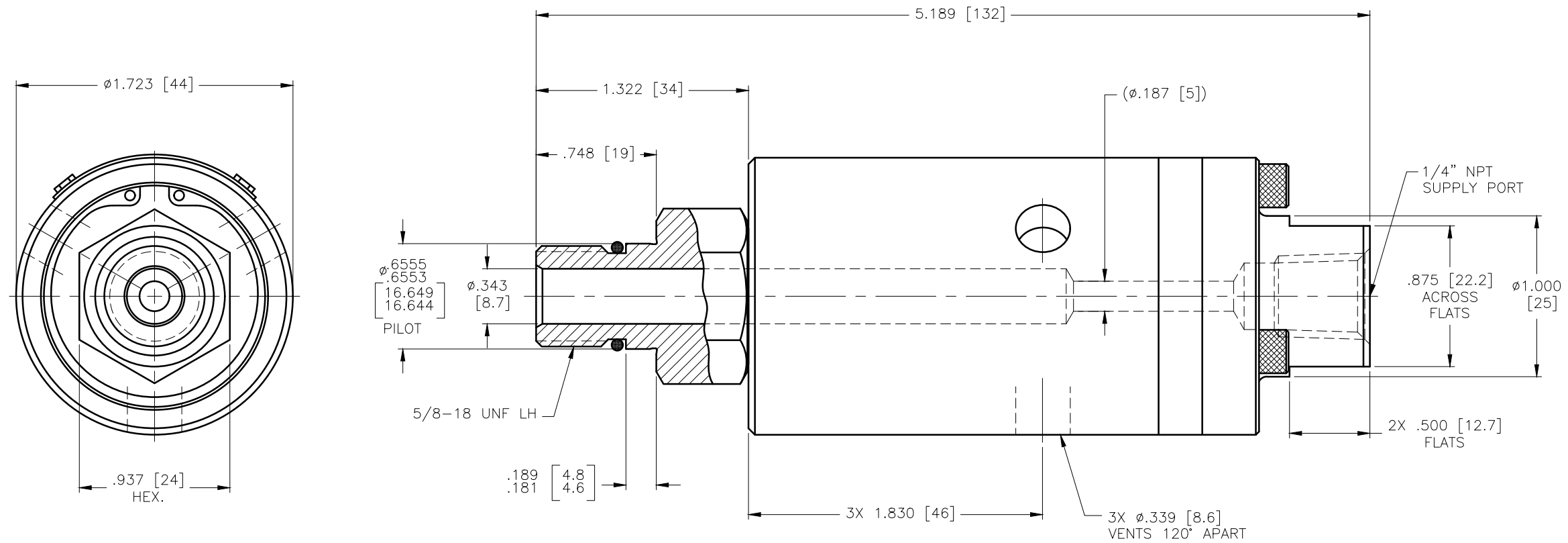
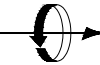


CONFIDENTIAL
 THIS DOCUMENT CONTAINS CONFIDENTIAL AND PROPRIETARY INFORMATION OF DEUBLIN COMPANY. COPYING, USE, TRANSMISSION, DISTRIBUTION, AND DISCLOSURE ARE SUBJECT TO THE TERMS AND CONDITIONS CONTAINED IN YOUR AGREEMENT WITH DEUBLIN COMPANY. ALL RIGHTS RESERVED.



OPERATING DATA		
MEDIA	COOLANT	
MAX PRESSURE	1500 PSI	105 bar
MAX TEMPERATURE	160°F	70°C
MAX SPEED	20,000 RPM	20,000/min

SCALE	2:1	DWG SIZE		UNLESS SPECIFICALLY TOLERANCED, ALL DIMENSIONS ARE REFERENCE	 DEUBLIN COMPANY WAUKEGAN, ILLINOIS, U.S.A.
DRN	NR	01/20/09			
ENGR	TW	01/20/09			
APPD	TW	01/20/09			
PART NO.	1108-019-107			DIMENSIONS IN [] ARE IN MILLIMETERS.	TITLE: INTERFACE CONTROL DRAWING OF DEUBLIN UNION 1108-019-107
CUSTOMER					
LET.	REVISION	ECO	DATE	SIGN	DWG NO. 1108-019-107