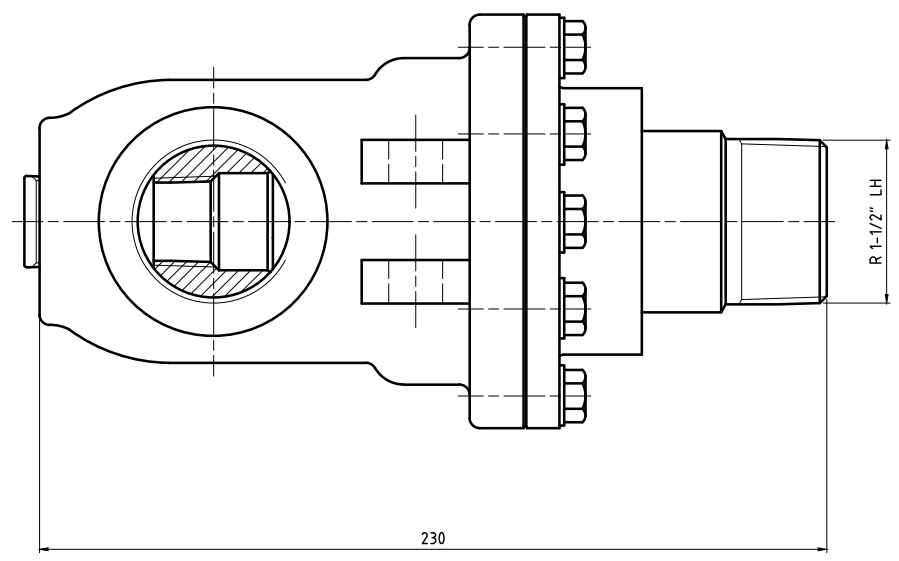
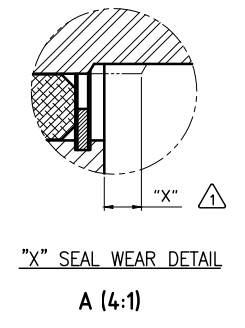
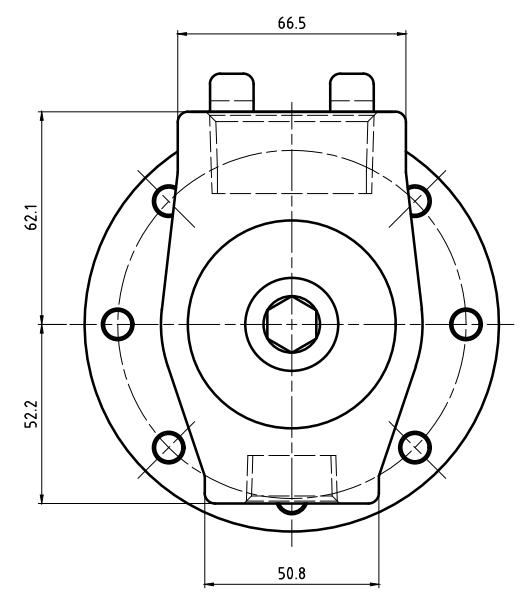
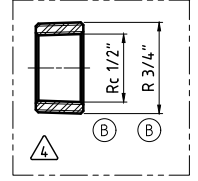
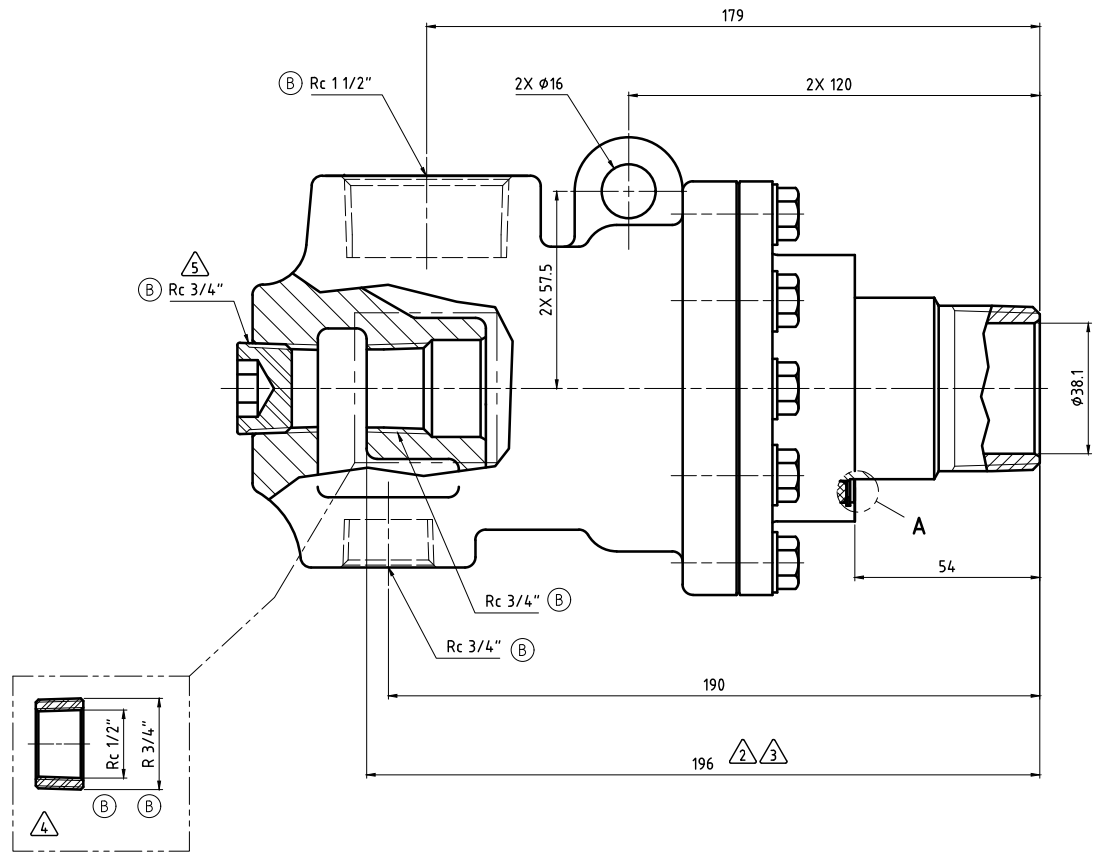
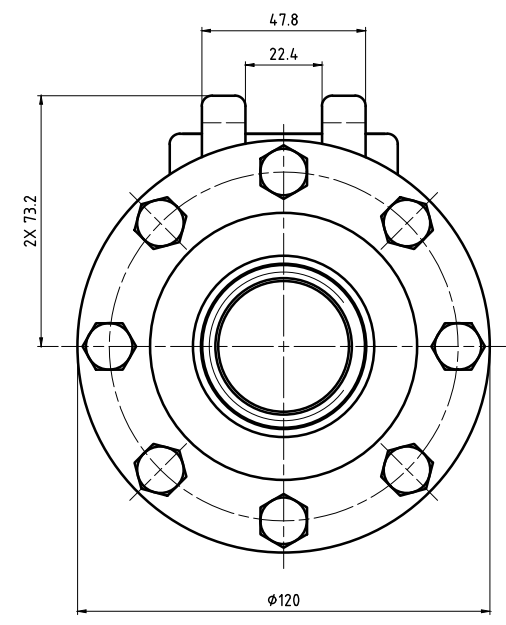


- NOTES:
- 1 - SEAL MUST BE REPLACED WHEN "X" DIMENSION EXCEEDS 6.3 mm. CONTACT DEUBLIN FOR APPROPRIATE SERVICE KIT.
 - 2 - PIPE LENGTH INTO UNION.
 - 3 - PIPE SUPPLIED BY CUSTOMER.
 - 4 - OPTIONAL SIPHON INSERT INCLUDED.
 - 5 - PLUG INSTALLED HAND TIGHT FROM FACTORY. IF PORT IS NOT UTILIZED, TIGHTEN BEFORE USE.



OPERATING DATA

MEDIA	THERMAL OIL	
PRESSURE	MAXIMUM	6.9 bar
TEMPERATURE	MAXIMUM	232 °C
SPEED	MAXIMUM	400 min ⁻¹
DRY RUN	NO	

DEUBLIN
 Engineered for Performance

PROJECTION:

SCALE: 1:1

MATERIAL: INTERFACE CONTROL DRAWING

TITLE: UNION TYPE C RH FIXED SIPHON
 RC PORTS - R 1 1/2" LH ROTOR

NO. BC-54000-24-21B

SHEET A2

REVISED	05/36/38	10/19	NR
PRODUCTION RELEASE	05/12/18	03/19	A.C.
ISSUE	MODIFICATION	ECD	DATE SIGN

UNLESS SPECIFICALLY TOLERANCED, ALL DIMENSIONS ARE CONSIDERED REFERENCE