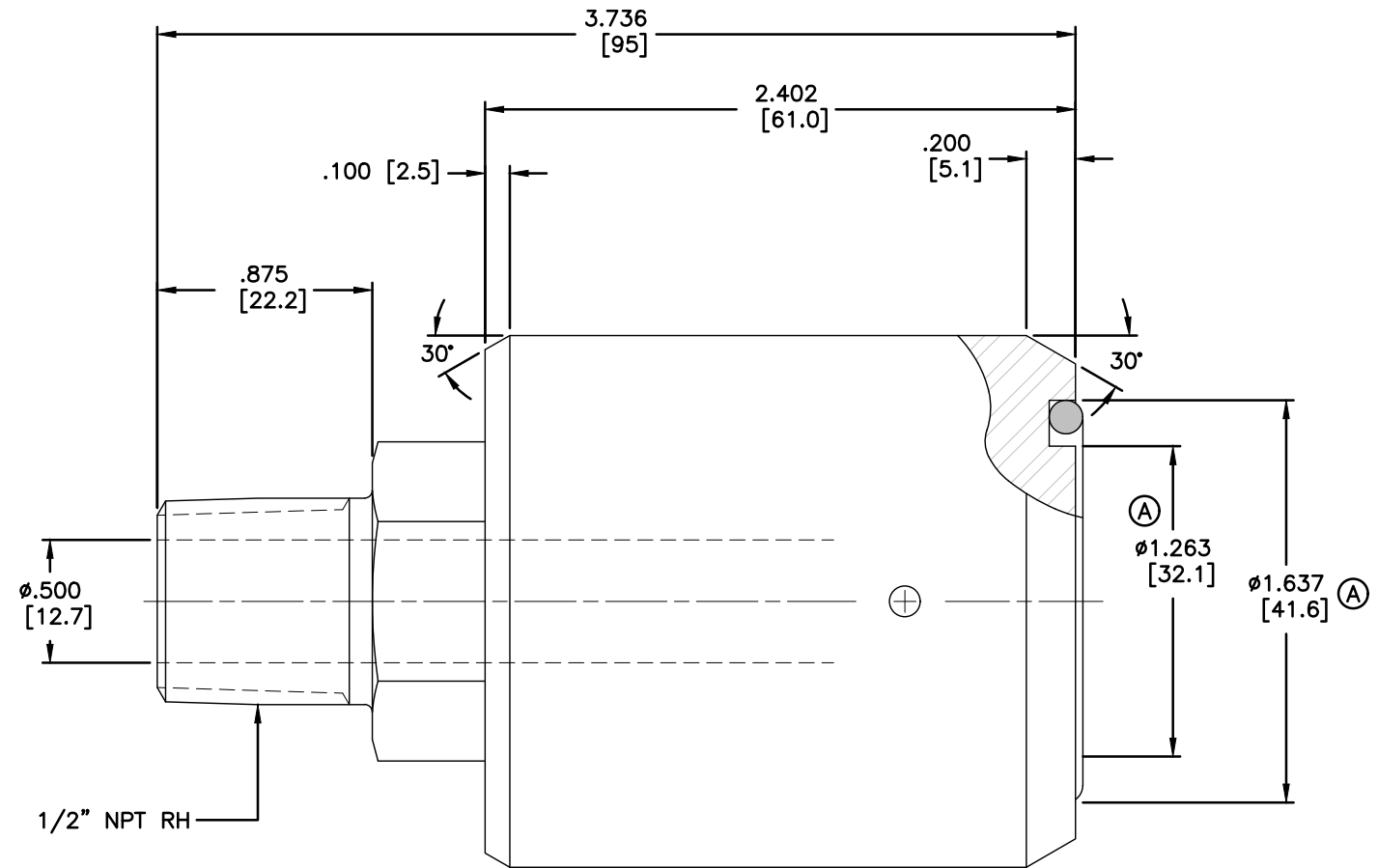
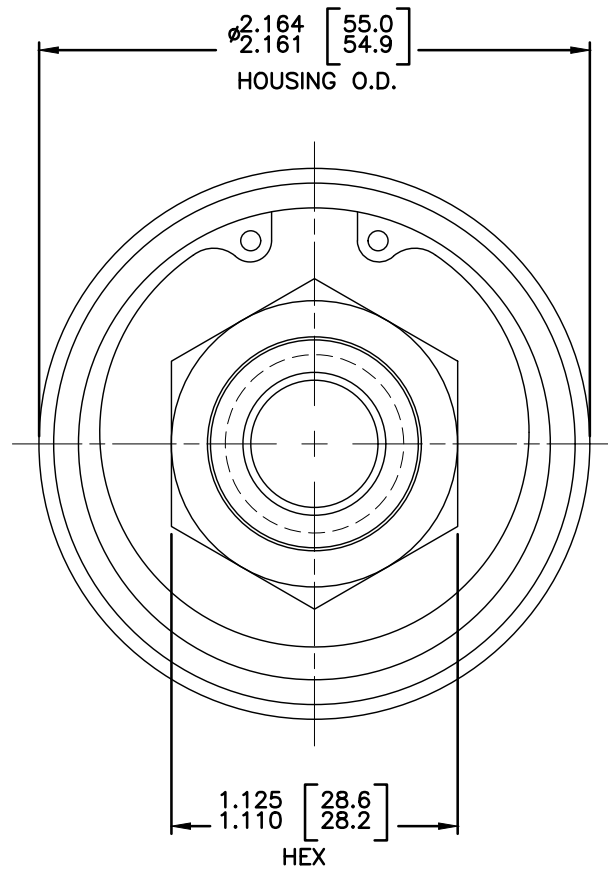


NOTES:
 1 - WHEN ORDERING FROM DEUBLIN USE PART NUMBER: 1205-236-003.



OPERATING DATA		
MEDIA	HYDRAULIC	
MAX HYD. PRESSURE	750 PSI	50 bar
MAX SPEED	1500 RPM	1500/min
MAX TEMPERATURE	250°F	121°C

CONFIDENTIAL
 THIS DOCUMENT CONTAINS CONFIDENTIAL AND PROPRIETARY INFORMATION OF DEUBLIN COMPANY. COPYING, USE, TRANSMISSION, DISTRIBUTION, AND DISCLOSURE ARE SUBJECT TO THE TERMS AND CONDITIONS CONTAINED IN YOUR AGREEMENT WITH DEUBLIN COMPANY. ALL RIGHTS RESERVED.

SCALE	2:1	DWG SIZE	C
DRN	LG	03/27/03	
ENGR	LG	03/27/03	
APPD			
PART NO.	1205-236-003		
CUSTOMER	ALTERNATIVE PARTS		
REV.	REVISION	ECO	DATE SIGN
A	#1.263 WAS #1.230, #1.637 WAS #1.616	6182	03/05 RM

UNLESS SPECIFICALLY TOLERANCED, ALL DIMENSIONS ARE REFERENCE
 DIMENSIONS IN [] ARE IN MILLIMETERS.

DEUBLIN COMPANY
 WAUKEGAN, ILLINOIS, U.S.A.

TITLE: INTERFACE CONTROL FOR DEUBLIN UNION 1205-236-003

DWG. NO. 1205-236-003-IC C.A.D DRAWING