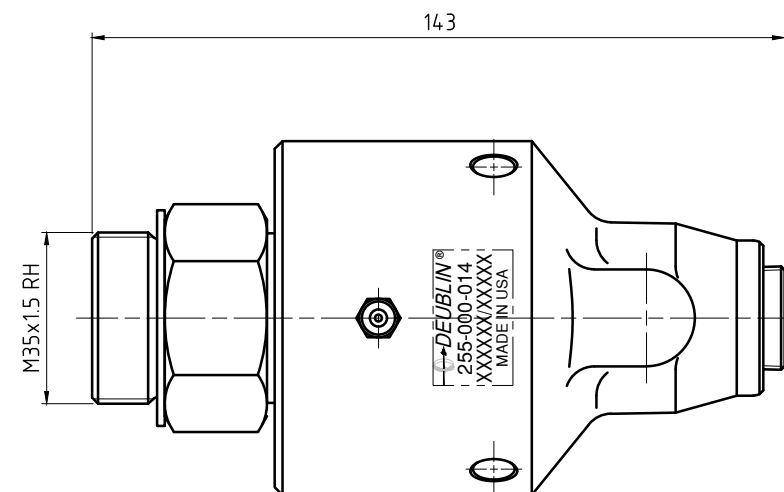
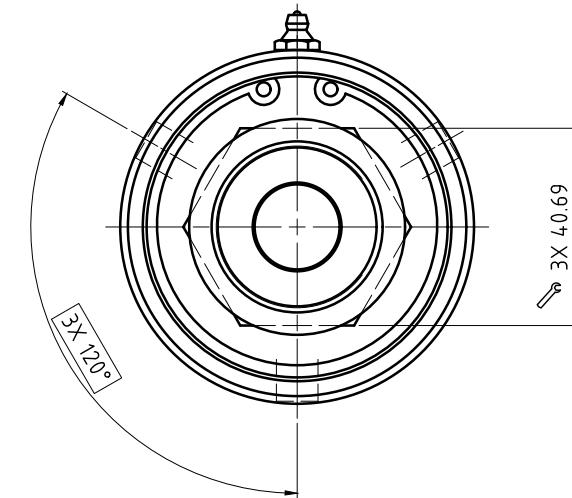
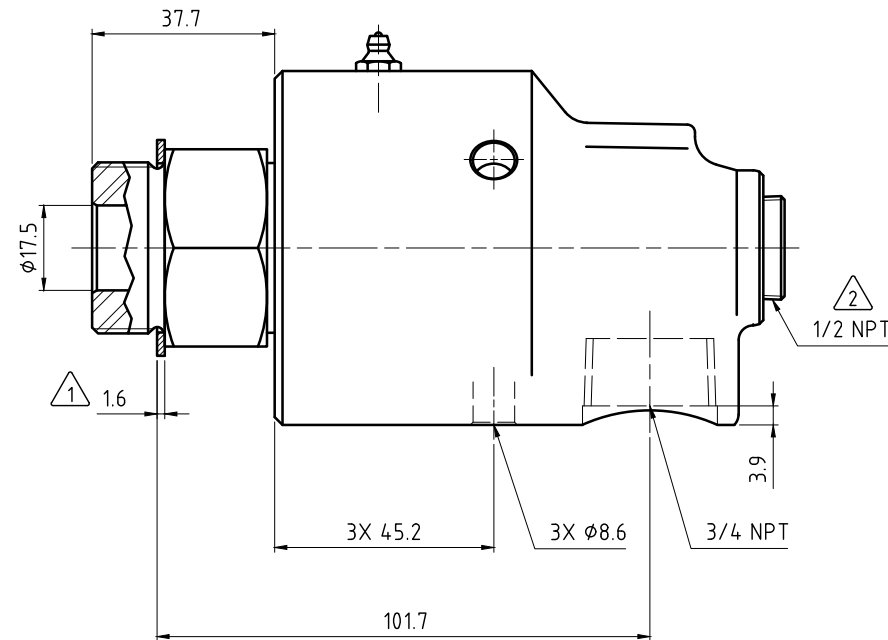
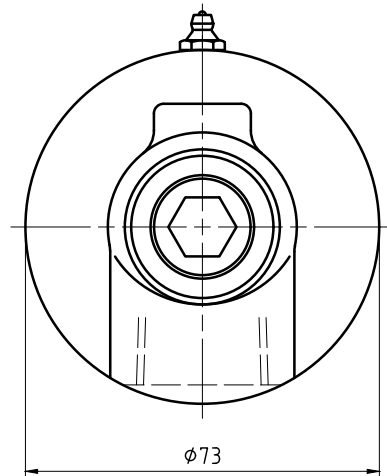


NOTES:

- ① - GASKET THICKNESS.
- ② - PLUG INSTALLED HAND TIGHT FROM FACTORY. IF PORT IS NOT UTILIZED, TIGHTEN BEFORE USE.



OPERATING DATA				
MEDIA		WATER	SATURATED STEAM	HOT OIL
PRESSURE	MAXIMUM	50 bar	1 bar (Intermittent)	6.8 bar
TEMPERATURE	MAXIMUM	120°C	120°C	120°C
SPEED	MAXIMUM	3500 min	3500 min	3500 min
DRY RUN		NO	NO	NO

	PROJECTION:		SCALE: 1:1
			MATERIAL: INTERFACE CONTROL DRAWING
	DATE	NAME	TITLE:
	DRN. 04/29/19	N. Reyna	DEUBLIN UNION
	ENGR. 04/29/19	T. Wilson	
	APPD.		
UNLESS SPECIFICALLY TOLERANCED, ALL DIMENSIONS ARE CONSIDERED REFERENCE			NO. 255-000-014
ISSUE	MODIFICATION	ECO	DATE
			SIGN
			SHEET A2