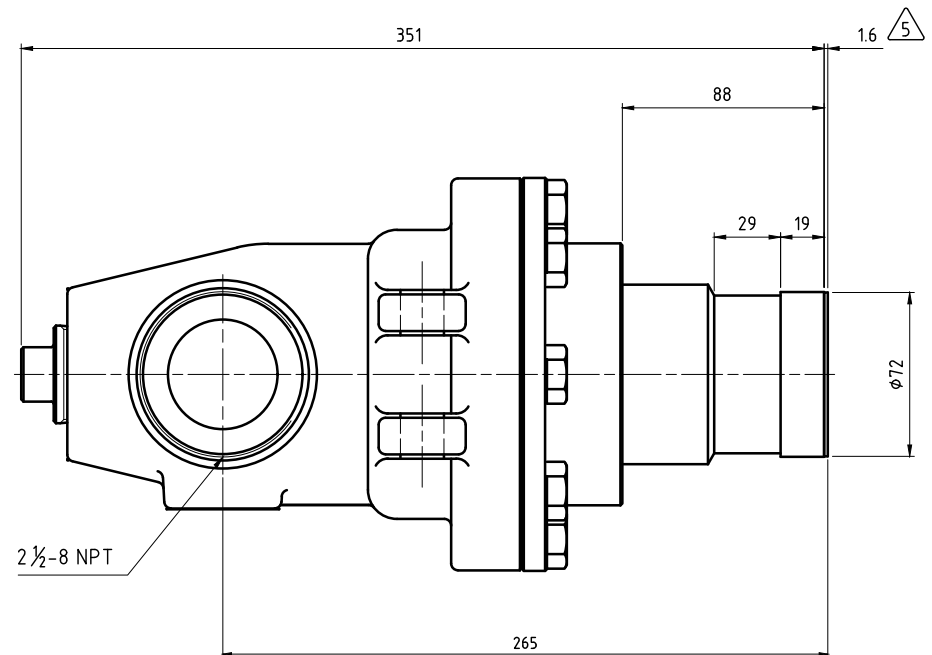
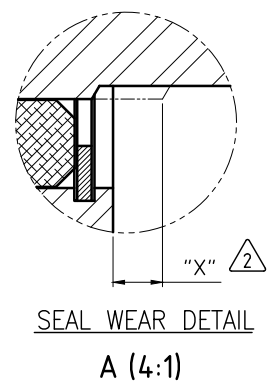
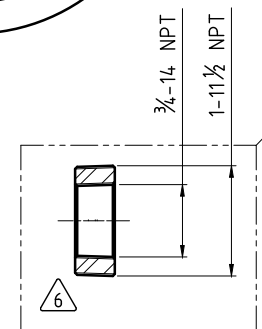
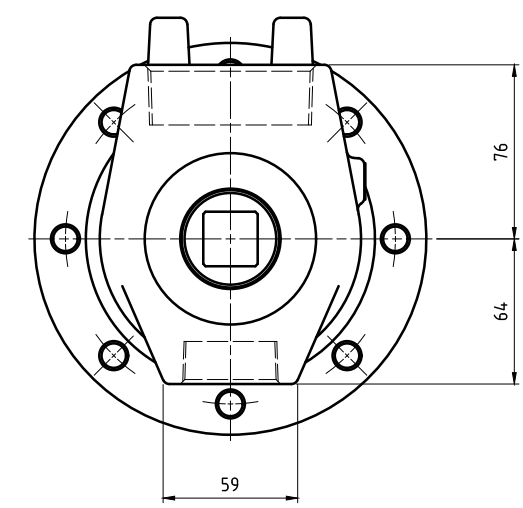
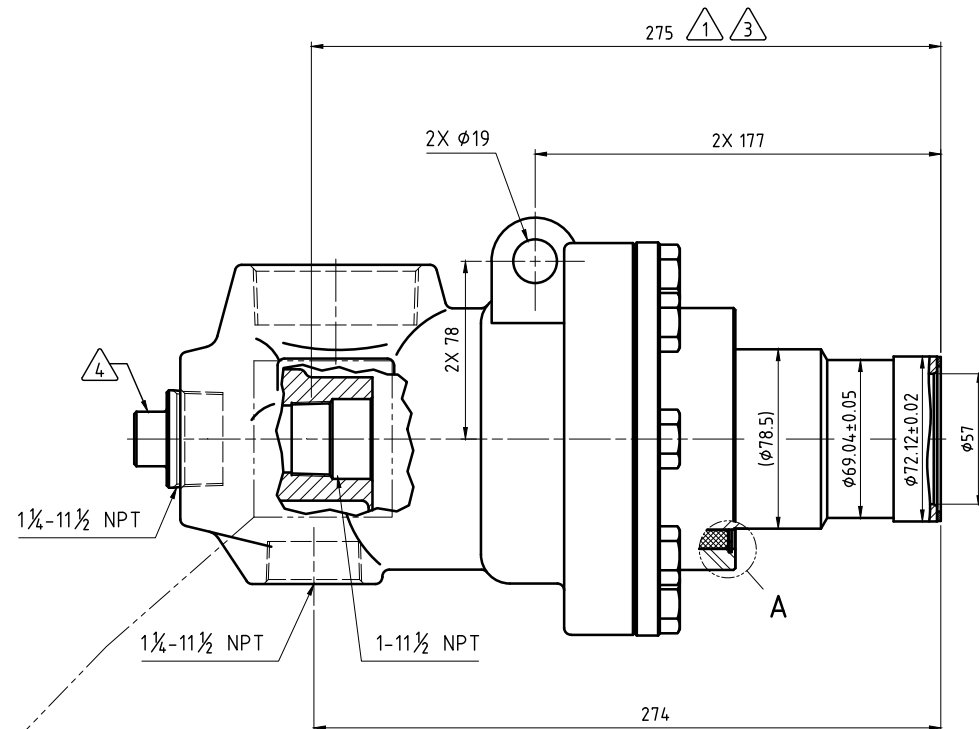
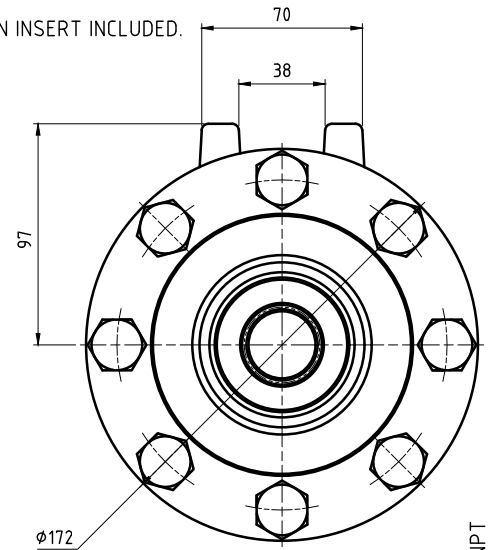


NOTES:

- ① - PIPE LENGTH INTO UNION.
- ② - SEAL MUST BE REPLACED WHEN "X" DIMENSION EXCEEDS 6.3 mm. CONTACT DEUBLIN FOR APPROPRIATE SERVICE KIT.
- ③ - PIPE SUPPLIED BY CUSTOMER.
- ④ - PLUG INSTALLED HAND TIGHT FROM FACTORY. IF PORT IS NOT UTILIZED, TIGHTEN BEFORE USE.
- ⑤ - GASKET THICKNESS.
- ⑥ - OPTIONAL SIPHON INSERT INCLUDED.



OPERATING DATA		
MEDIA		STEAM
PRESSURE	MAXIMUM	17.2 bar
TEMPERATURE	MAXIMUM	208 °C
SPEED	MAXIMUM	400 min ⁻¹
DRY RUN		NO

	PROJECTION:	SCALE: 1:15	MATERIAL: INTERFACE CONTROL DRAWING
	DATE: 09/10/18	NAME: TG	
DRN: ENGR.			NO. BC-54000-40-62
APPD:			SHEET A2
UNLESS SPECIFICALLY TOLERANCED, ALL DIMENSIONS ARE CONSIDERED REFERENCE			