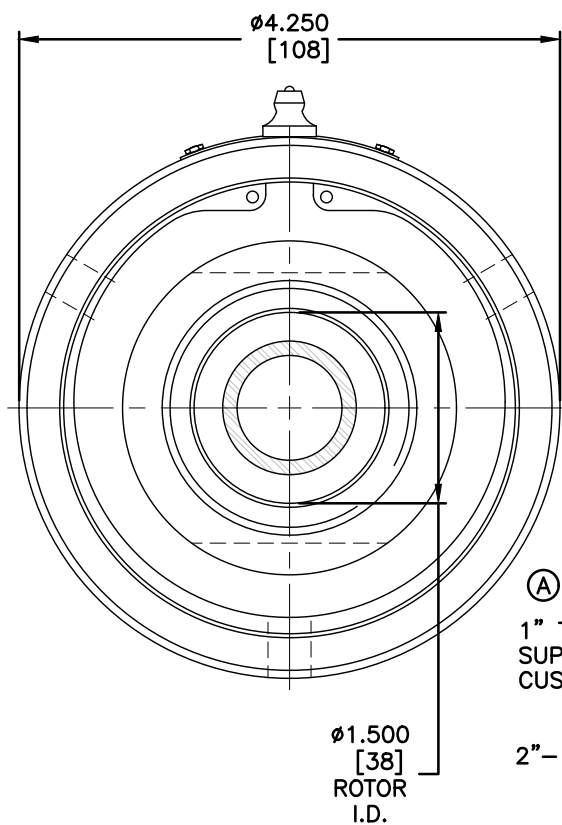
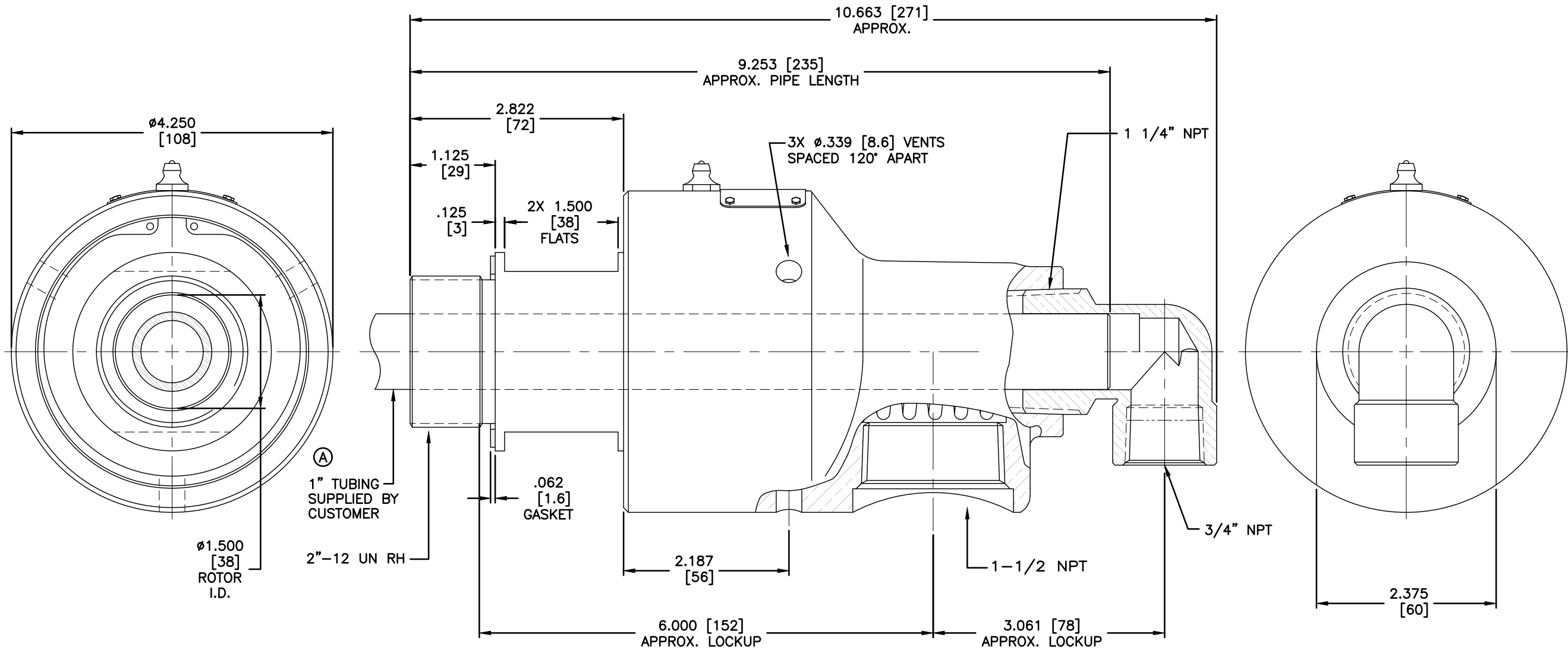
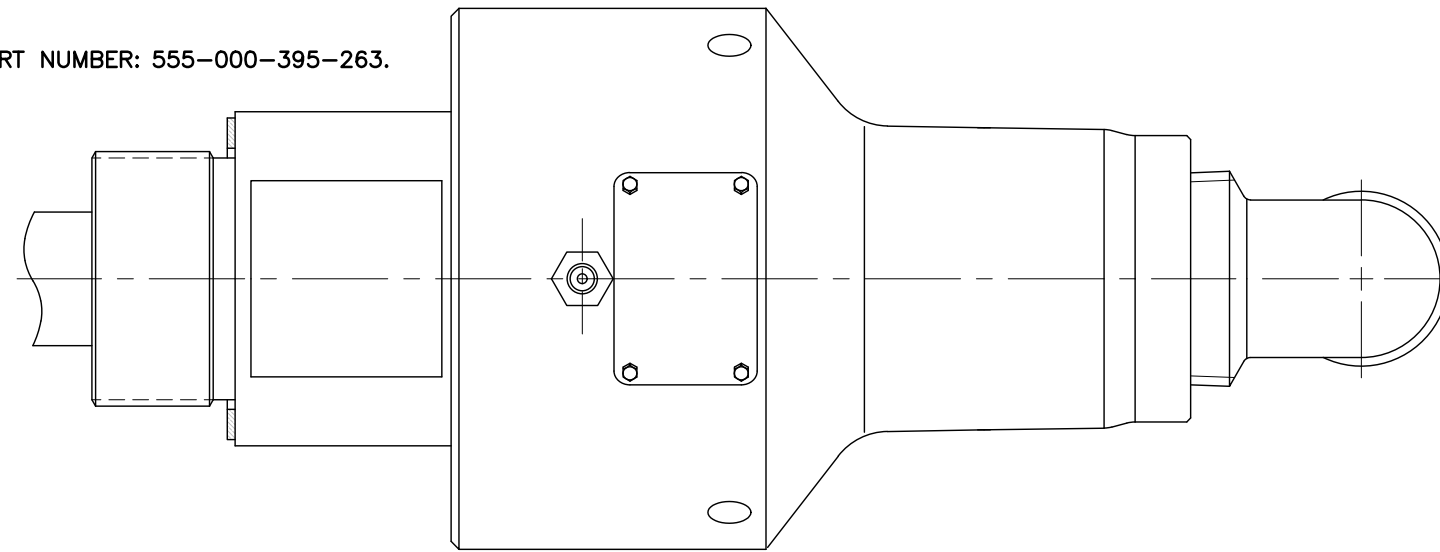


NOTES:

1 - WHEN ORDERING FROM DEUBLIN USE PART NUMBER: 555-000-395-263.



(A)
1" TUBING
SUPPLIED BY
CUSTOMER
2"-12 UN RH

CONFIDENTIAL
THIS DOCUMENT CONTAINS PROPRIETARY INFORMATION
AND IS NOT TO BE TRANSMITTED, REPRODUCED, USED
OR DISCLOSED TO ANYONE WITHOUT THE WRITTEN PER-
MISSION OF THE DEUBLIN COMPANY.

SCALE		FULL	DWG	C
DRN	LG	08/30/02		
ENGR				
APPD				

DEUBLIN COMPANY
WAUKEGAN, ILLINOIS, U.S.A.

TITLE: INTERFACE CONTROL
DRAWING FOR UNION
555-000-395-263

NO. 555-000-395-263-IC
C.A.D. DRAWING

EQUIPMENT REF:			
ASSY/TEST FIXTURES REQUIRED:			
A	1" TUBING WAS 3/4" PIPE	06/05	LG
LET.	REVISION	ECO	DATE SIGN

UNLESS OTHERWISE
SPECIFIED
TOLERANCES ±.010.
DIMENSIONS IN []
ARE IN MILLIMETERS.