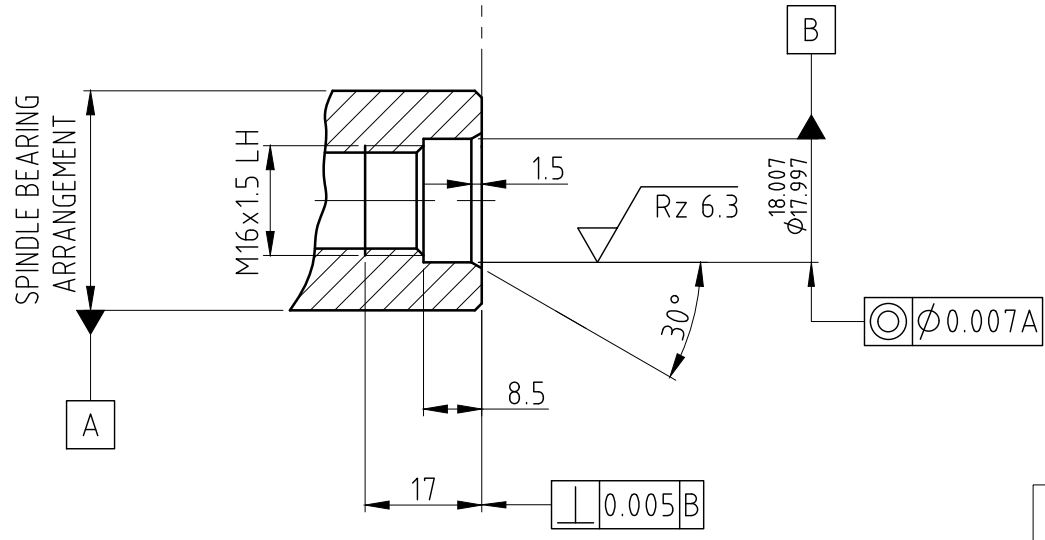
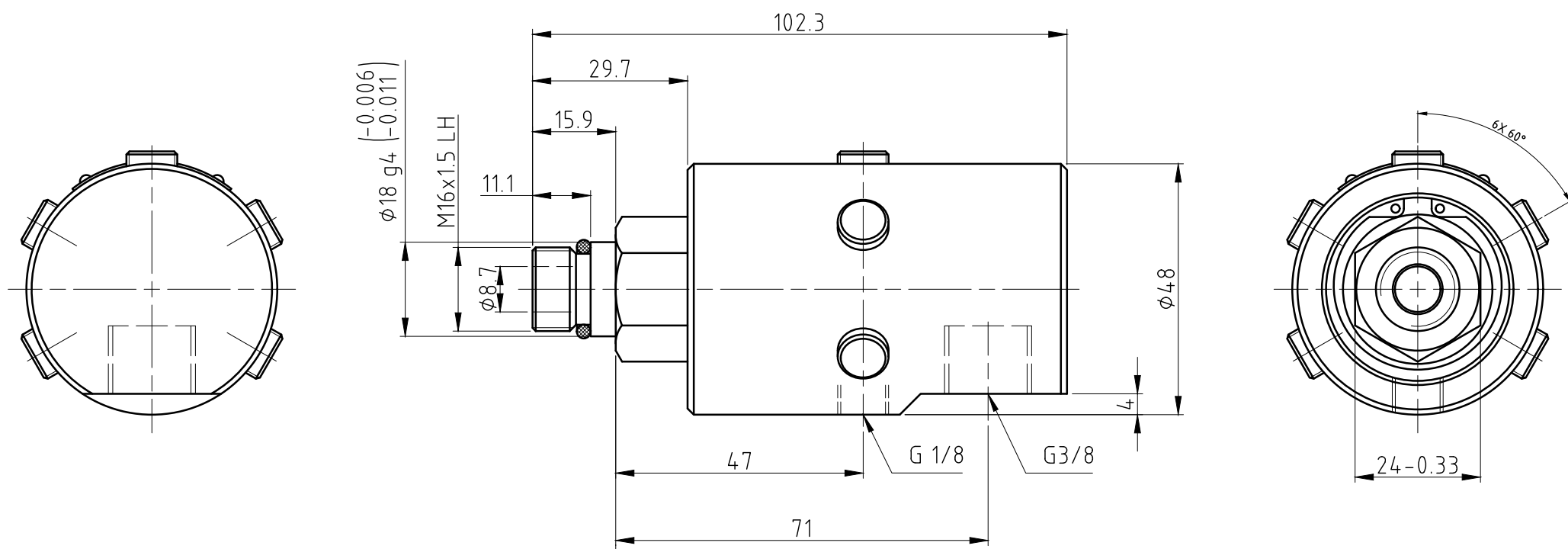
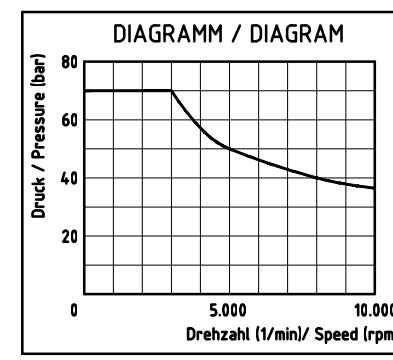


CONFIDENTIAL
 THIS DOCUMENT CONTAINS CONFIDENTIAL AND PROPRIETARY
 INFORMATION OF DEUBLIN COMPANY. COPYING, USE,
 TRANSMISSION, DISTRIBUTION, AND DISCLOSURE ARE SUBJECT
 TO THE TERMS AND CONDITIONS CONTAINED IN YOUR
 AGREEMENT WITH DEUBLIN COMPANY. ALL RIGHTS RESERVED.

Ø18	g4	-0.006	17.994
Dimen.	Fit	-0.011	17.989



OPERATION AT MAXIMUM PRESSURE COMBINED WITH MAXIMUM SPEED SHOULD BE AVOIDED.
 IF THE OPERATING CONDITIONS ARE CLOSE TO THESE LIMITS, LOOK ON THE DIAGRAM.



OPERATING DATA / Betriebsdaten		
MEDIA/Medium	COOLANT	KSS
p max.	1000 PSI	70 bar
n max.	10000 RPM	10000 1/min
t max.	160 °F	70 °C
Q max.	13.2 GPM	50 l/min
FILTRATION/Filterung	60 µm	60 µm

<p>DEUBLIN COMPANY WAUKEGAN, ILLINOIS, U.S.A.</p>	PROJECTION:	SCALE: 1:1	MATERIAL: INTERFACE CONTROL DRAWING
	DATE	NAME	TITLE:
	DRN. 03/19/09	N. Reyna	DEUBLIN UNION
	ENGR. TW	03/19/09	
	APPD.		
	UNLESS SPECIFICALLY TOLERANCED, ALL DIMENSIONS ARE CONSIDERED REFERENCE		NO. 1116-557-463
ISSUE	MODIFICATION	ECO	DATE
			SIGN
			SHEET