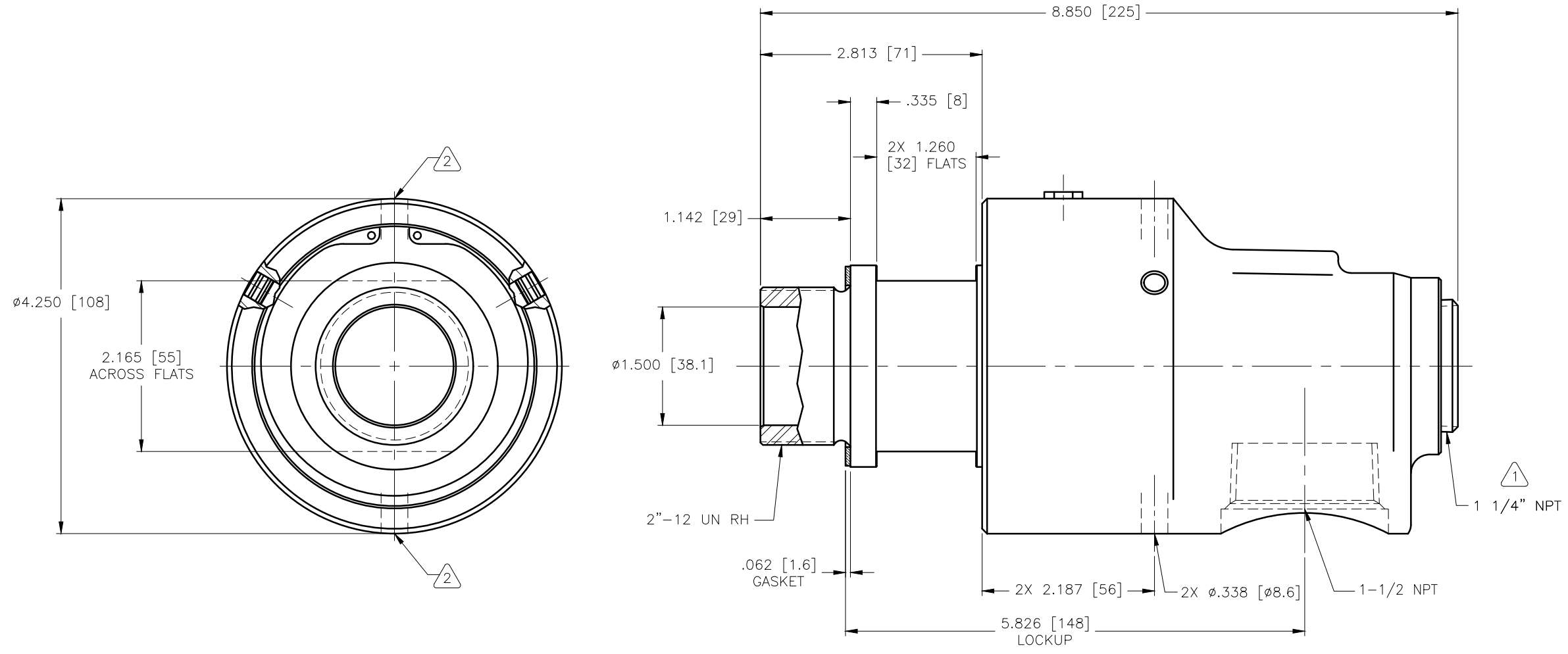


CONFIDENTIAL
 THIS DOCUMENT CONTAINS CONFIDENTIAL AND PROPRIETARY INFORMATION OF DEUBLIN COMPANY. COPYING, USE, TRANSMISSION, DISTRIBUTION, AND DISCLOSURE ARE SUBJECT TO THE TERMS AND CONDITIONS CONTAINED IN YOUR AGREEMENT WITH DEUBLIN COMPANY. ALL RIGHTS RESERVED.

NOTES:

- ① - PLUG INSTALLED HAND TIGHT FROM FACTORY. IF PORT IS NOT UTILIZED, TIGHTEN BEFORE USE.
- ② - (1) 55-617 PLUG SUPPLIED LOOSE TO BE INSTALLED BY CUSTOMER.
- ©



©

OPERATING DATA		
MEDIA	HOT WATER	
MAX WATER PRESSURE	150 PSI	10 bar
MAX WATER TEMP.	320°F	160°C
MAX SPEED	1000 RPM	1000/min

① ②

SCALE	1 = 1	DWG SIZE
DRN	NR	01/05/09
ENGR	TW	01/05/09
APPD	TW	01/05/09
PART NO.	555-575-395	
CUSTOMER		
LET.	REVISION	ECO DATE SIGN

UNLESS SPECIFICALLY TOLERANCED, ALL DIMENSIONS ARE REFERENCE
 DIMENSIONS IN [] ARE IN MILLIMETERS.

DEUBLIN COMPANY
 WAUKEGAN, ILLINOIS, U.S.A.

TITLE: INTERFACE CONTROL
 DRAWING OF DEUBLIN
 UNION 555-575-395

DWG NO. 555-575-395
 C.A.D. DRAWING