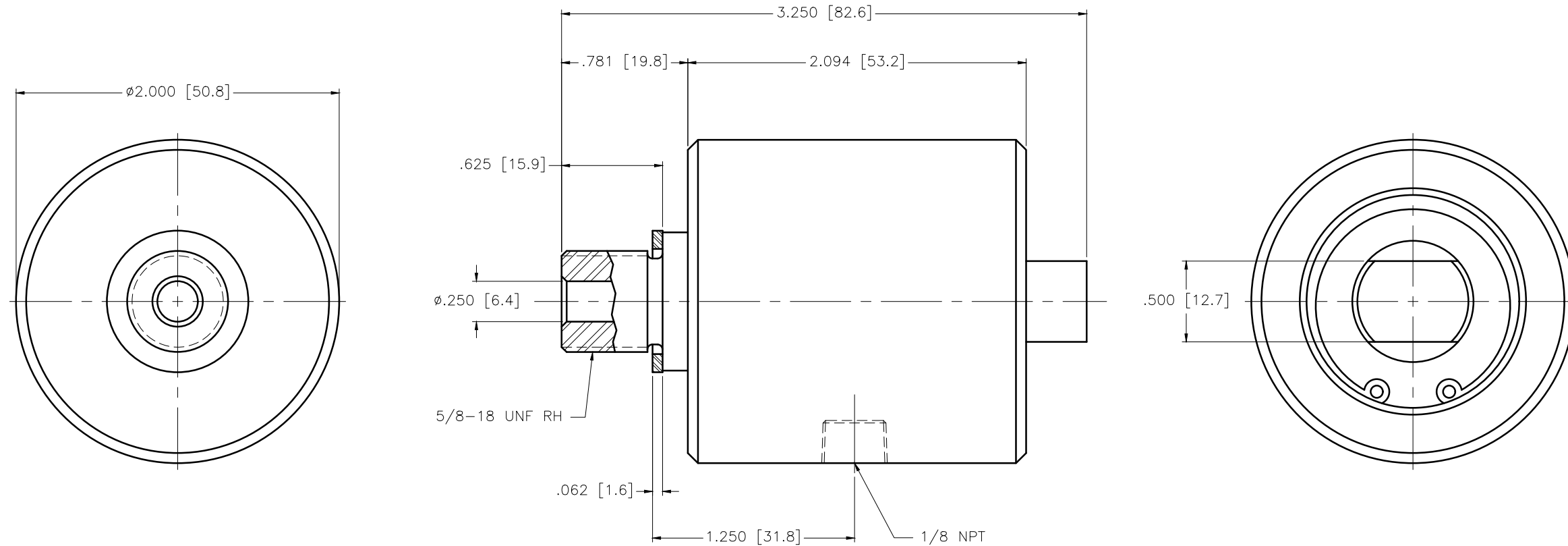


CONFIDENTIAL
 THIS DOCUMENT CONTAINS CONFIDENTIAL AND PROPRIETARY INFORMATION OF DEUBLIN COMPANY. COPYING, USE, TRANSMISSION, DISTRIBUTION, AND DISCLOSURE ARE SUBJECT TO THE TERMS AND CONDITIONS CONTAINED IN YOUR AGREEMENT WITH DEUBLIN COMPANY. ALL RIGHTS RESERVED.



OPERATING DATA		
MEDIA	BRAKE FLUID	
MAX PRESSURE	3000 PSI	207 bar
MAX SPEED	250 RPM	250/min
MAX TEMPERATURE	250°F	121°C

SCALE	2:1	DWG SIZE
DRN	NR	01/29/09
ENGR	TW	01/29/09
APPD	TW	01/29/09
PART NO.	18-016-002	
CUSTOMER		
LET.	REVISION	ECO DATE SIGN

UNLESS SPECIFICALLY TOLERANCED, ALL DIMENSIONS ARE REFERENCE
 DIMENSIONS IN [] ARE IN MILLIMETERS.

DEUBLIN COMPANY
 WAUKEGAN, ILLINOIS, U.S.A.

TITLE: INTERFACE CONTROL
 DRAWING OF DEUBLIN
 UNION 18-016-002

DWG NO. 18-016-002
 C.A.D DRAWING