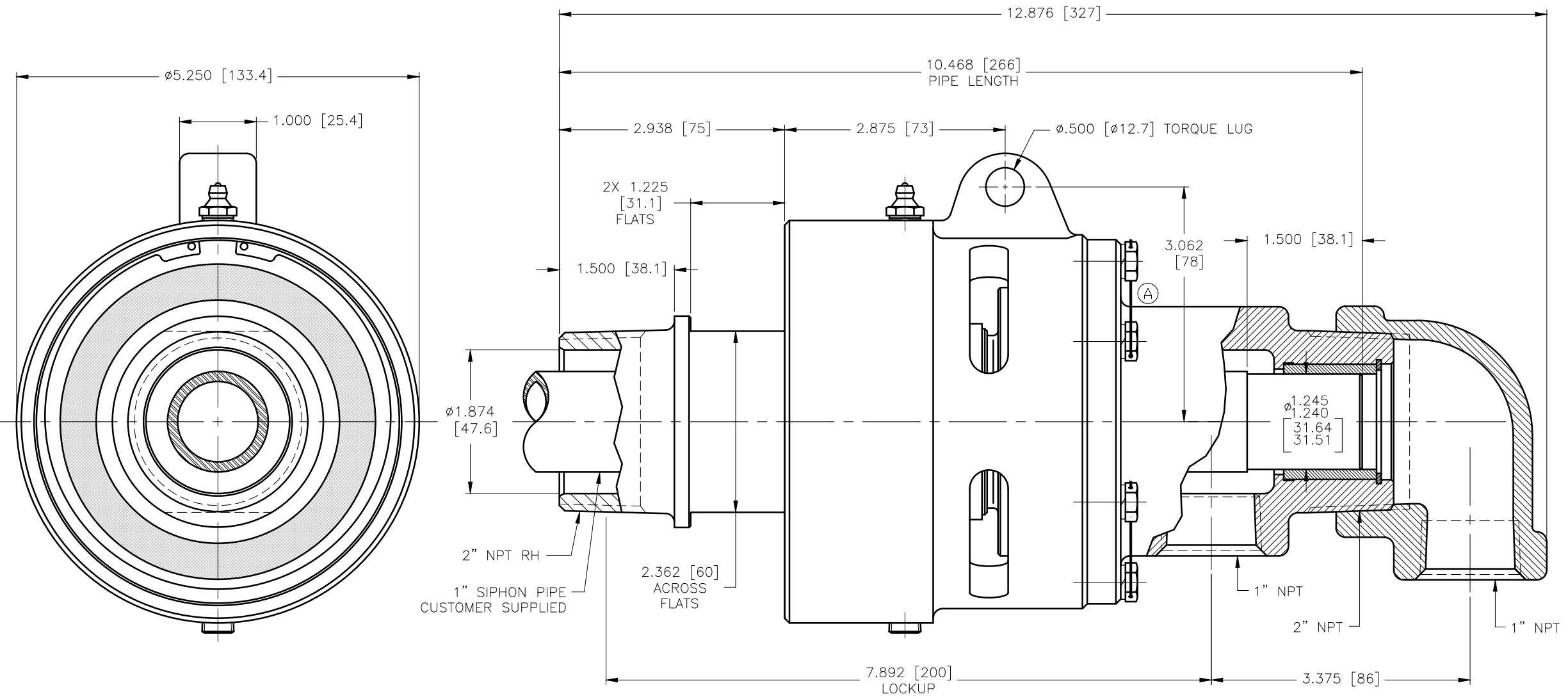


CONFIDENTIAL
 THIS DOCUMENT CONTAINS CONFIDENTIAL AND PROPRIETARY INFORMATION OF DEUBLIN COMPANY. COPYING, USE, TRANSMISSION, DISTRIBUTION, AND DISCLOSURE ARE SUBJECT TO THE TERMS AND CONDITIONS CONTAINED IN YOUR AGREEMENT WITH DEUBLIN COMPANY. ALL RIGHTS RESERVED.



OPERATING DATA		
MEDIA	WATER	
MAX WATER PRESSURE	150 PSI	10 bar
MAX WATER TEMP.	250°F	121°C
MAX SPEED	750 RPM	750/min

SCALE	1=1	DWG SIZE	B
DRW	NR	06/07/07	
ENGR	SS	06/07/07	
APPD	SS	06/07/07	
PART NO.			
CUSTOMER			
LET.	REVISION	ECO	DATE
A	WASHER REMOVED	020914	28.11.12
			HS

UNLESS SPECIFICALLY TOLERANCED, ALL DIMENSIONS ARE REFERENCE DIMENSIONS IN [] ARE IN MILLIMETERS.

DEUBLIN COMPANY
 WAUKEGAN, ILLINOIS, U.S.A.

TITLE: INTERFACE CONTROL
 DRAWING OF DEUBLIN
 UNION 6200-002-135

DWG NO. 6200-002-135
 C.A.D. DRAWING