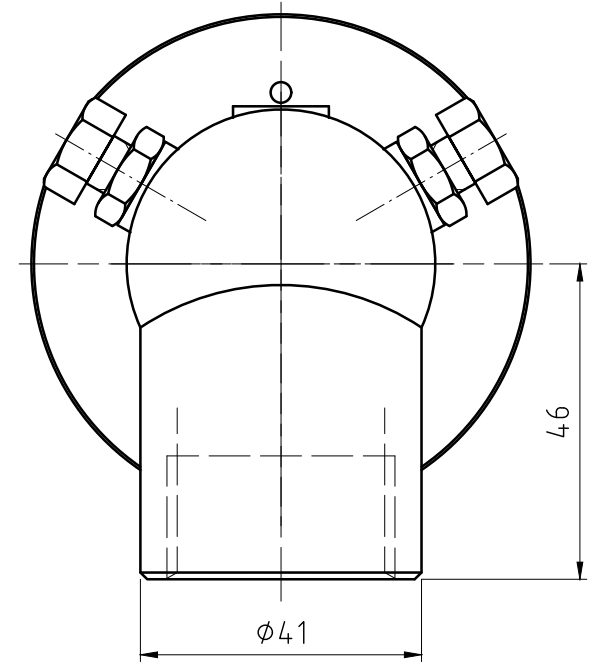
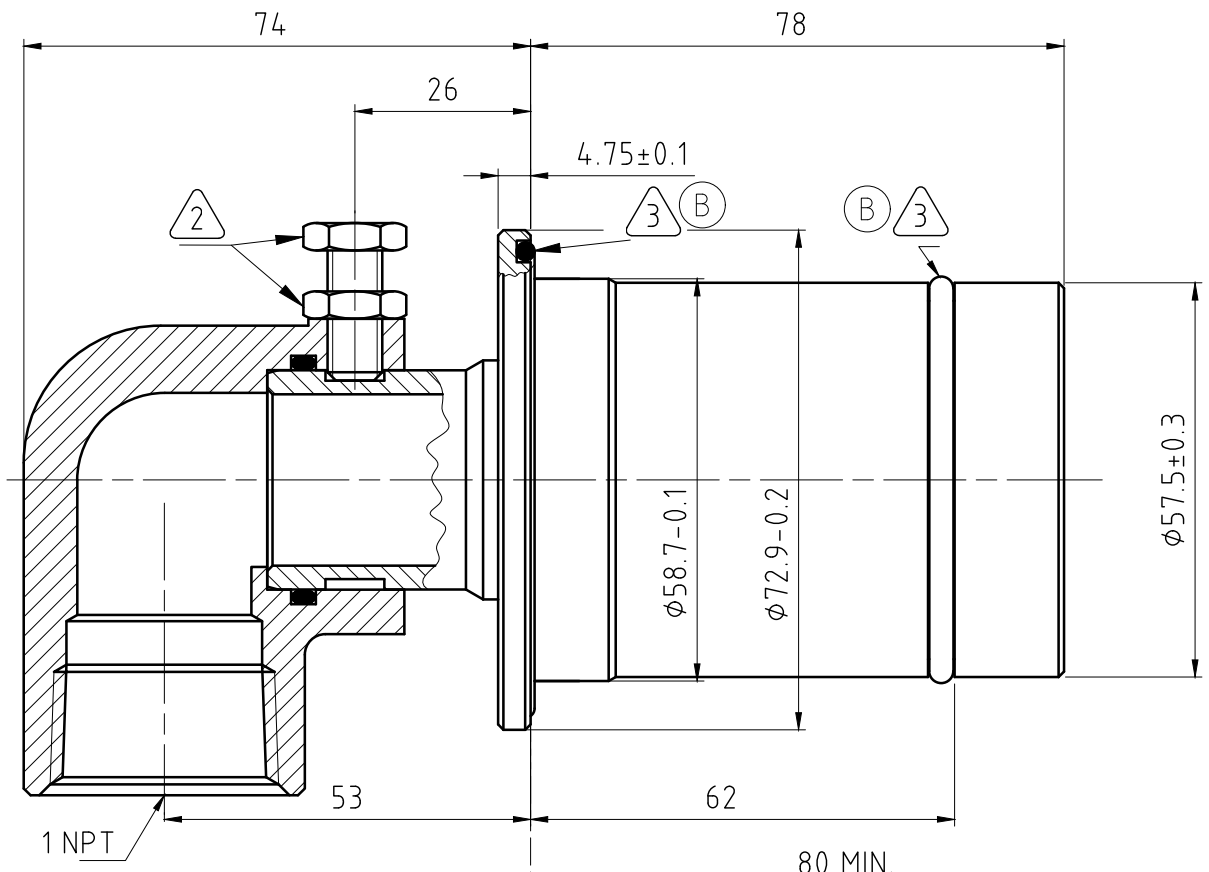


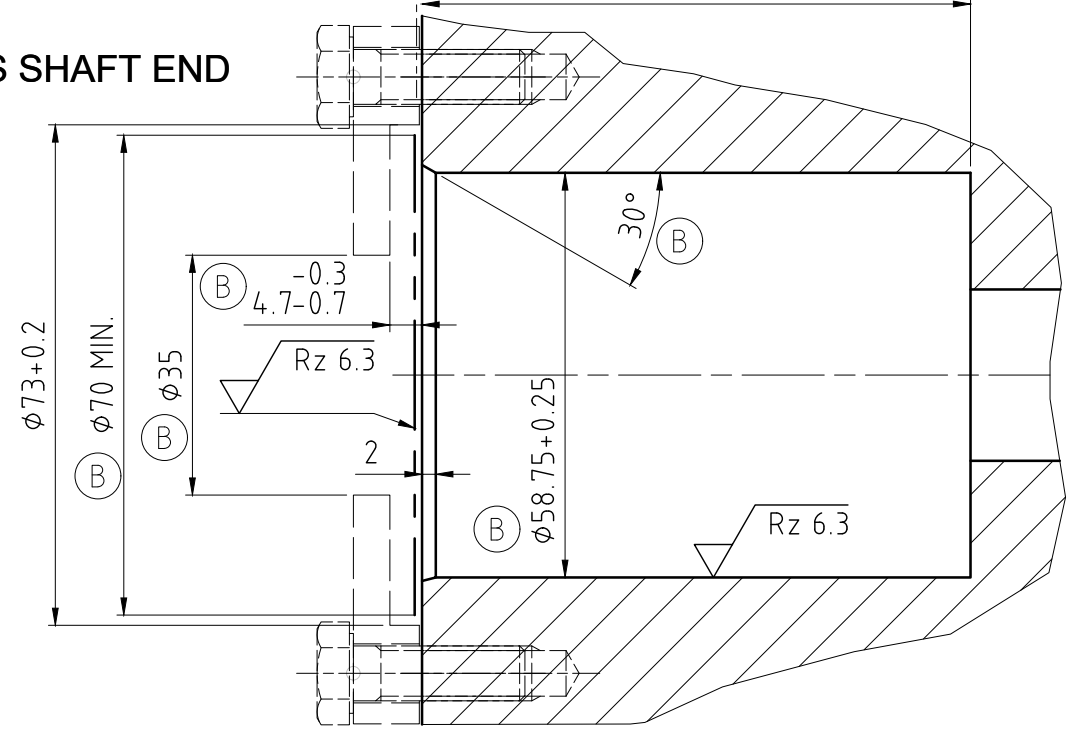
NOTES:

- (B) 1 - CONTACT DEUBLIN OR VISIT WWW.DEUBLIN.COM FOR INSTRUCTION MANUAL: 040-564
- (2) - TIGHTEN INDICATED BOLTS AND SECURE WITH LOCK NUT.
- (3) - LUBRICATE INDICATED O-RINGS WITH SILICONE BASED GREASE.

CONFIDENTIAL  
 THIS DOCUMENT CONTAINS CONFIDENTIAL AND PROPRIETARY INFORMATION OF DEUBLIN COMPANY. COPYING, USE, TRANSMISSION, DISTRIBUTION, AND DISCLOSURE ARE SUBJECT TO THE TERMS AND CONDITIONS CONTAINED IN YOUR AGREEMENT WITH DEUBLIN COMPANY. ALL RIGHTS RESERVED.



CUSTOMER'S SHAFT END



OPERATING DATA	
MEDIA	WATER
PRESSURE MAX.	10 bar
SPEED MAX.	100 min <sup>-1</sup>
TEMPERATURE MAX.	120 °C
FLOW MAX.	53 l/min

		PROJECTION:	SCALE: 1:1				
			MATERIAL: Disegno d'installazione				
		DATE: 06/18/10	TITLE: DEUBLIN ROTATING UNION				
		NAME: L. Galindo	DEUBLIN Drehdurchführung				
		ENGR. 06/18/10					
		APPD. A. LaCroix					
B	UPDATE IMS	040896	06.02.17	HS	UNLESS SPECIFICALLY TOLERANCED, ALL DIMENSIONS ARE CONSIDERED REFERENCE	NO. 2425-001-281	SHEET A3
A	ADDED DIMENSION	019048	07/12	NR			
ISSUE	MODIFICATION	ECO	DATE	SIGN			