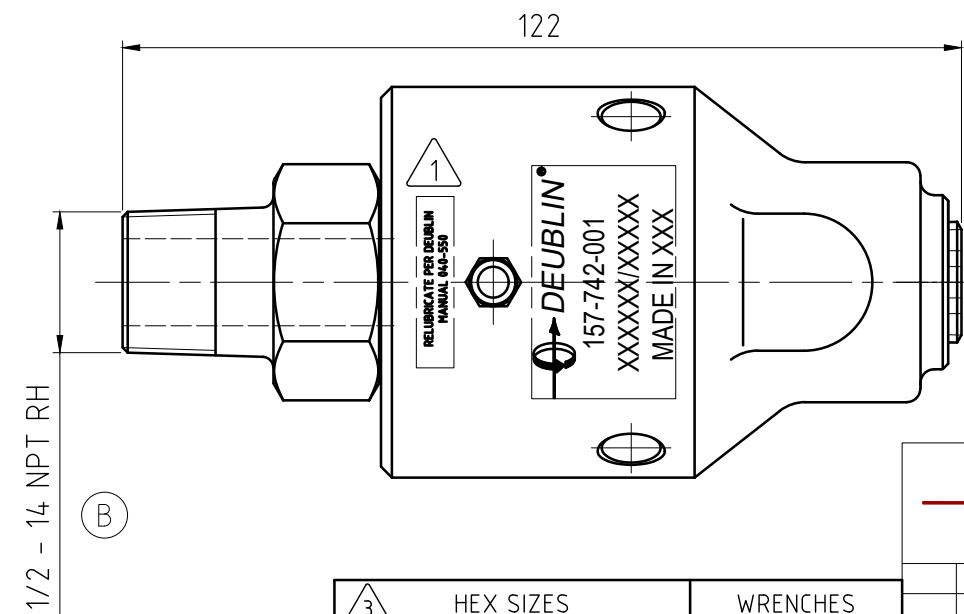
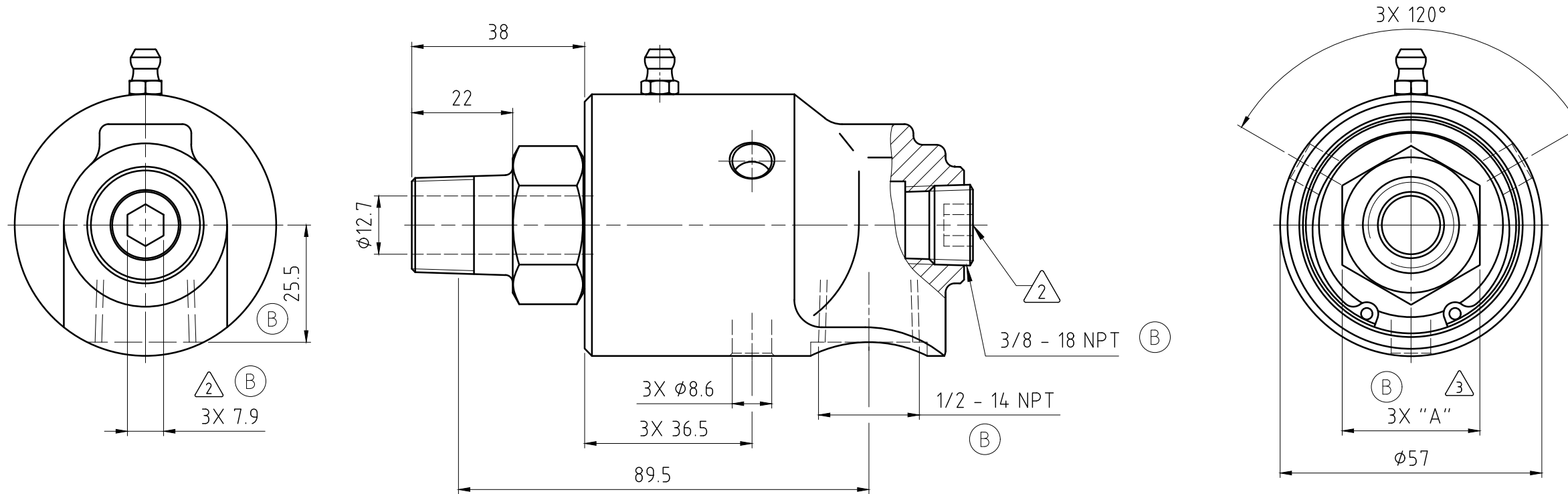


CONFIDENTIAL

The reproduction, distribution and utilization of this document as well as the communication of its contents to others without express authorization is prohibited. Offenders will be held liable for the payment of damages. All rights reserved in the event of the grant of a patent, utility model or design.

NOTES:

- ① - CONTACT DEUBLIN OR VISIT WWW.DEUBLIN.COM FOR INSTRUCTION MANUAL: 040-550
- ② - PLUG INSTALLED HAND TIGHT FROM FACTORY. IF PORT IS NOT UTILIZED, TIGHTEN BEFORE USE.
- ③ - DEPENDING ON COUNTRY OF ORIGIN, HEX STOCK MAY VARY AS NOTED. SEE TABLE FOR ACCEPTABLE WRENCH SIZES.



OPERATING DATA			
MEDIA	WATER	SATURATED STEAM (INTERMITTENT)	THERMAL OIL
PRESSURE MAX.	50 bar	1 bar	6.6 bar
SPEED MAX.	1500 min ⁻¹		
TEMPERATURE MAX.	121 °C		
DRY RUN (WITHOUT ANY MEDIA)	NO		
RECOMMENDED FILTRATION	60 micron		

UNITS	HEX SIZES		WRENCHES	
	"A"	30mm	1 1/8"	
METRIC [mm]	30-0.13	✓	✗	
IMPERIAL [in]	1.125-0.006	✓	✓	

	PROJECTION:	SCALE: 1:1	MATERIAL: INTERFACE CONTROL DRAWING										
<table border="1"> <tr> <th>DATE</th> <th>NAME</th> </tr> <tr> <td>DRN. 03.06.2020</td> <td>RM</td> </tr> <tr> <td>ENGR. 03.06.2020</td> <td>ARS</td> </tr> <tr> <td>APPD.</td> <td></td> </tr> </table>	DATE	NAME	DRN. 03.06.2020	RM	ENGR. 03.06.2020	ARS	APPD.		TITLE: DEUBLIN ROTATING UNION DEUBLIN Drehdurchführung	NO. 157-742-001	SHEET A3		
DATE	NAME												
DRN. 03.06.2020	RM												
ENGR. 03.06.2020	ARS												
APPD.													
<table border="1"> <tr> <th>ISSUE/MODIFICATION</th> <th>ECO</th> <th>DATE</th> <th>SIGN</th> </tr> <tr> <td>B SEE ECO</td> <td>60371</td> <td>03/21</td> <td>NR</td> </tr> <tr> <td>A SEE ECO</td> <td>056312</td> <td>06/20</td> <td>MSK</td> </tr> </table>	ISSUE/MODIFICATION	ECO	DATE	SIGN	B SEE ECO	60371	03/21	NR	A SEE ECO	056312	06/20	MSK	UNLESS SPECIFICALLY TOLERANCED, ALL DIMENSIONS ARE CONSIDERED REFERENCE
ISSUE/MODIFICATION	ECO	DATE	SIGN										
B SEE ECO	60371	03/21	NR										
A SEE ECO	056312	06/20	MSK										