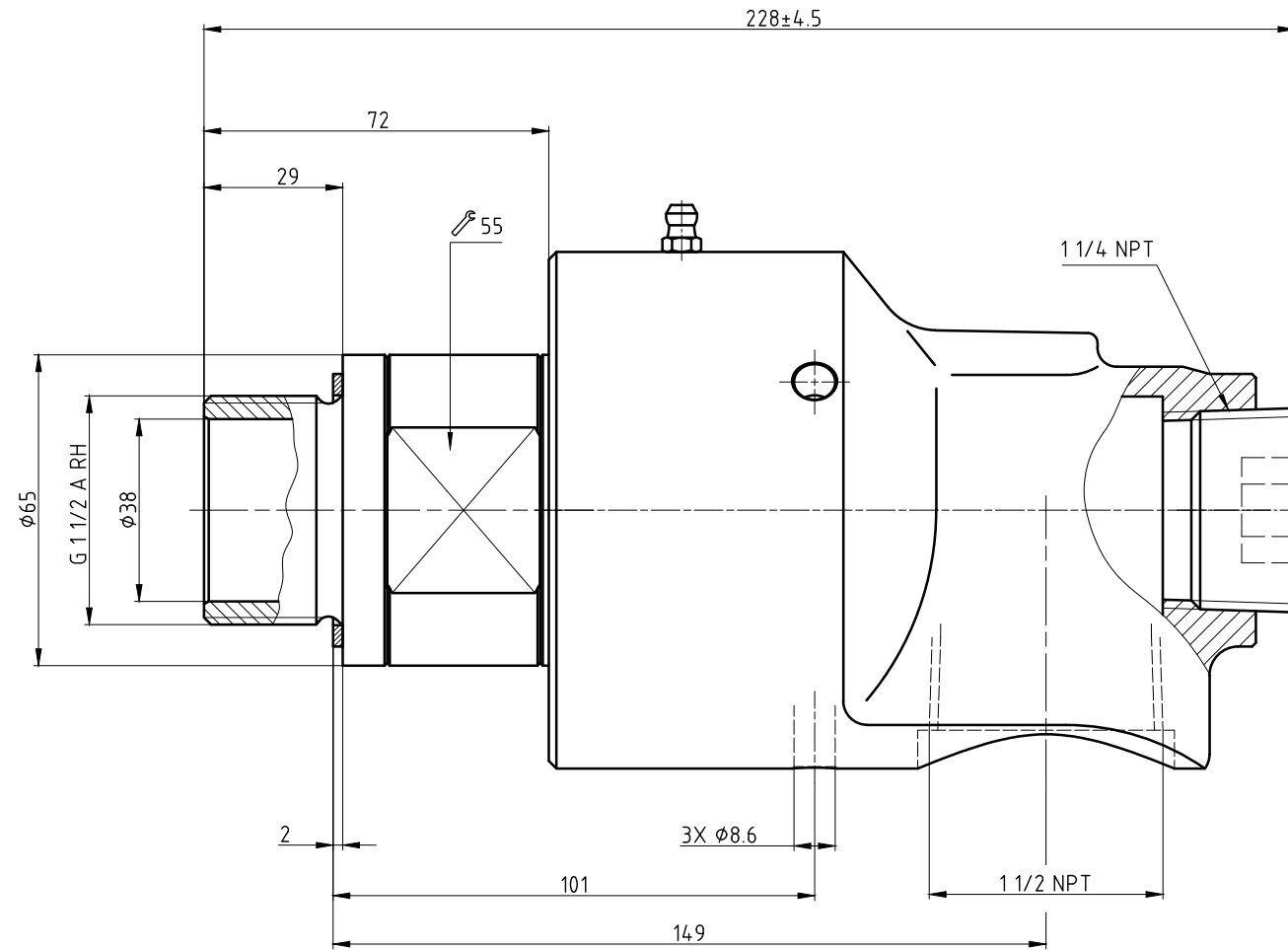
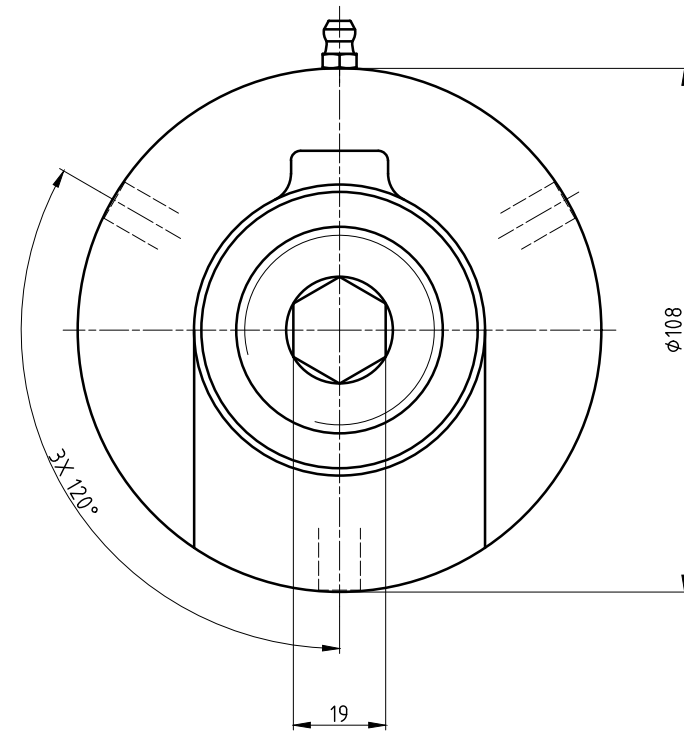


CONFIDENTIAL
 THIS DOCUMENT CONTAINS CONFIDENTIAL AND PROPRIETARY
 INFORMATION OF DEUBLIN COMPANY. COPYING, USE,
 TRANSMISSION, DISTRIBUTION, AND DISCLOSURE ARE SUBJECT
 TO THE TERMS AND CONDITIONS CONTAINED IN YOUR
 AGREEMENT WITH DEUBLIN COMPANY. ALL RIGHTS RESERVED.

NOTES:

1 - CONTACT DEUBLIN OR VISIT WWW.DEUBLIN.COM
 FOR INSTRUCTION MANUAL: 040-550



OPERATING DATA		
MEDIA	WATER	HOT OIL
PRESSURE MAX.	50 bar	6.6 bar
SPEED MAX.	2500 RPM	
TEMPERATURE MAX.	160°C	
DRY RUN (WITHOUT ANY MEDIA)	NO	



PROJECTION:
 SCALE: 1:1
 MATERIAL:

DATE	NAME
DRN. 10/22/14	GA
ENGR. 10/22/14	GA
APPD.	

TITLE: **INTERFACE CONTROL DRAWING**
DEUBLIN UNION 555-479-198
 NO. **555-479-198-1C**
 SHEET **A2**

UNLESS SPECIFICALLY TOLERANCED, ALL DIMENSIONS ARE CONSIDERED REFERENCE

ISSUE MODIFICATION ECO DATE SIGN