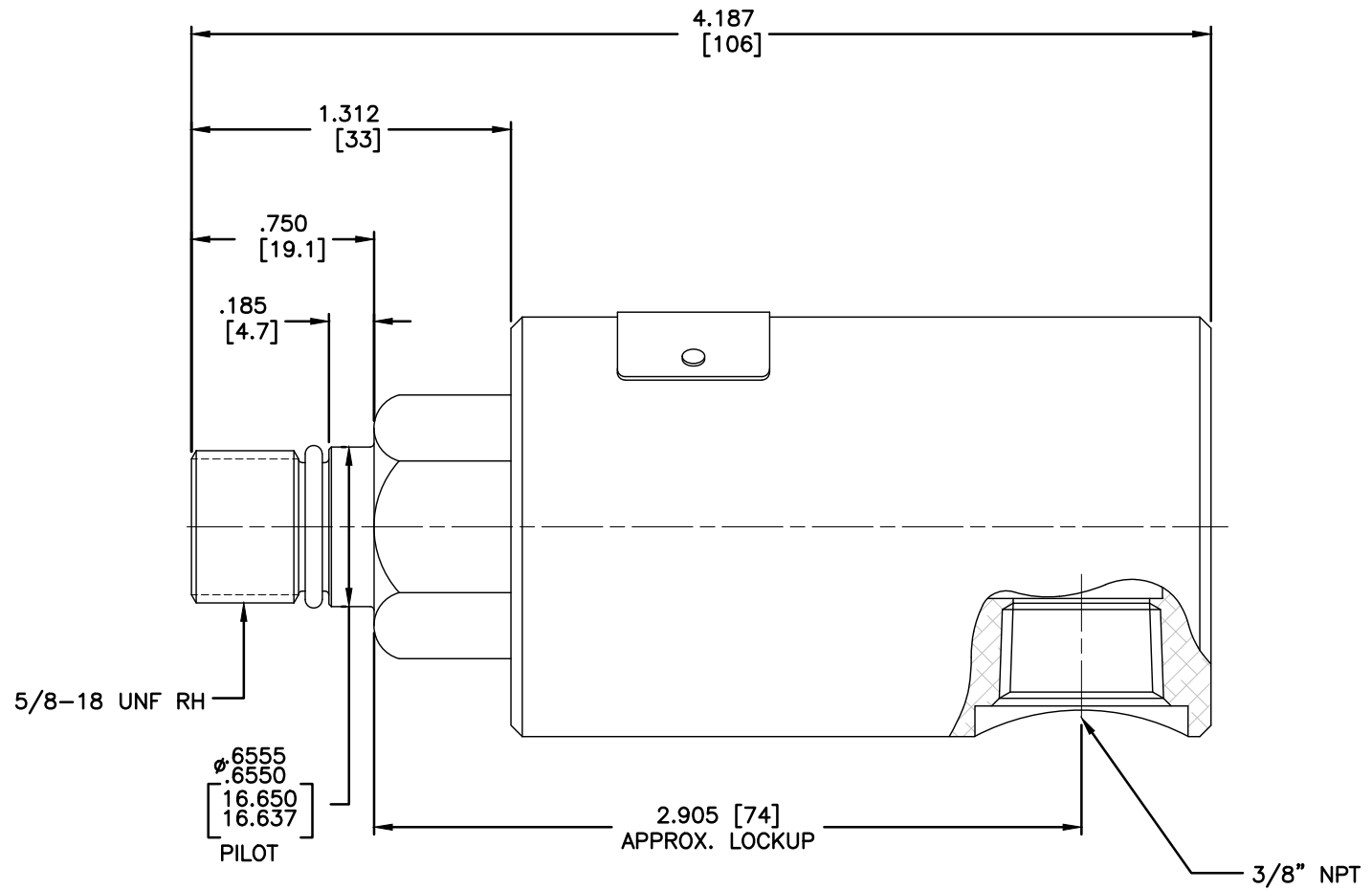
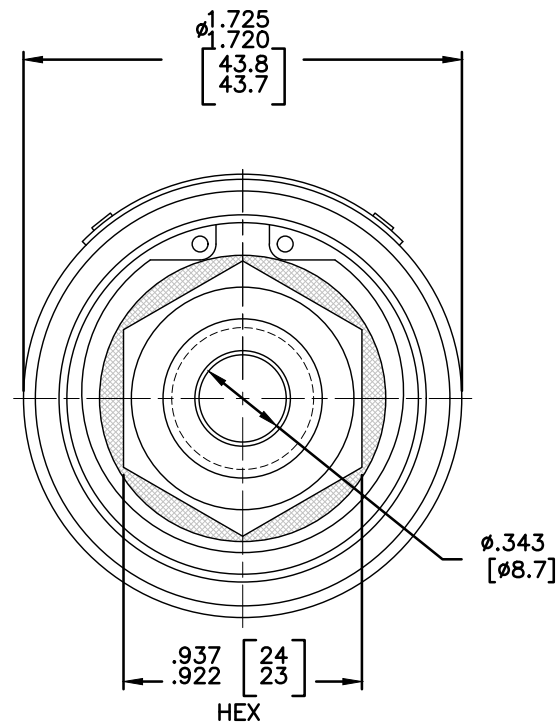


NOTES:

1 - WHEN ORDERING FROM DEUBLIN USE PART NUMBER
1115-097-403.



OPERATING DATA	
MAX AIR PRESSURE	150 PSI
MAX HYD. PRESSURE	500 PSI
MAX SPEED	3500 RPM
MAX TEMPERATURE	250° F

CONFIDENTIAL
THIS DOCUMENT CONTAINS PROPRIETARY INFORMATION AND IS NOT TO BE TRANSMITTED, REPRODUCED, USED OR DISCLOSED TO ANYONE WITHOUT THE WRITTEN PERMISSION OF THE DEUBLIN COMPANY.

EQUIPMENT REF:				SCALE	2:1	DWG SIZE	C
ASSY/TEST FIXTURES REQUIRED:				DRN	LG	11/02/01	
UNLESS OTHERWISE SPECIFIED TOLERANCES ±.010. DIMENSIONS IN [] ARE IN MILLIMETERS.				ENGR			
A REMOVED OILER (SHOWN IN ERROR)				APPD			
LET.	REVISION	ECO	DATE	SIGN	TITLE: INTERFACE CONTROL DRAWING FOR UNION 1115-097-403		
					NO. 1115-097-403-IC C.A.D. DRAWING		

