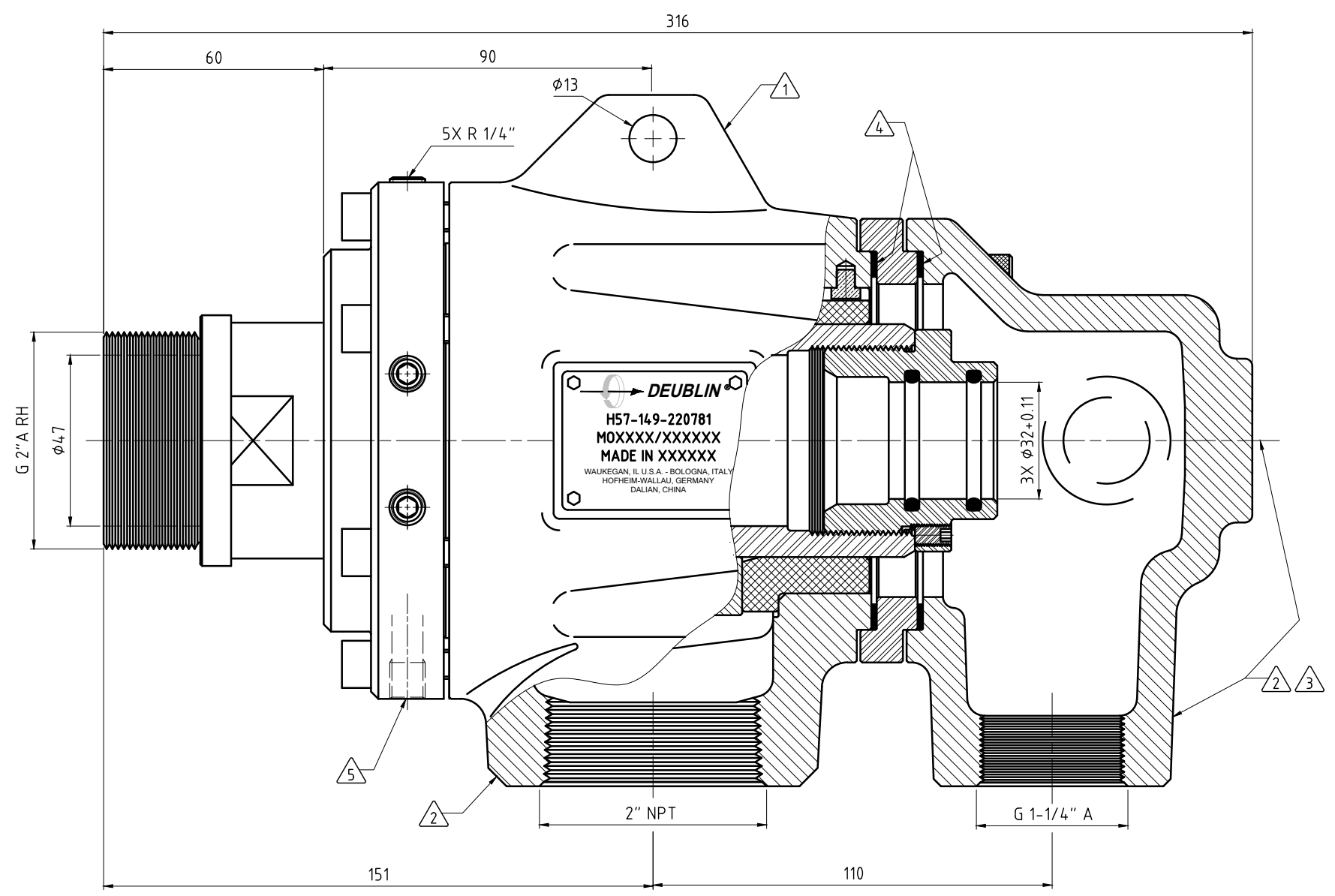
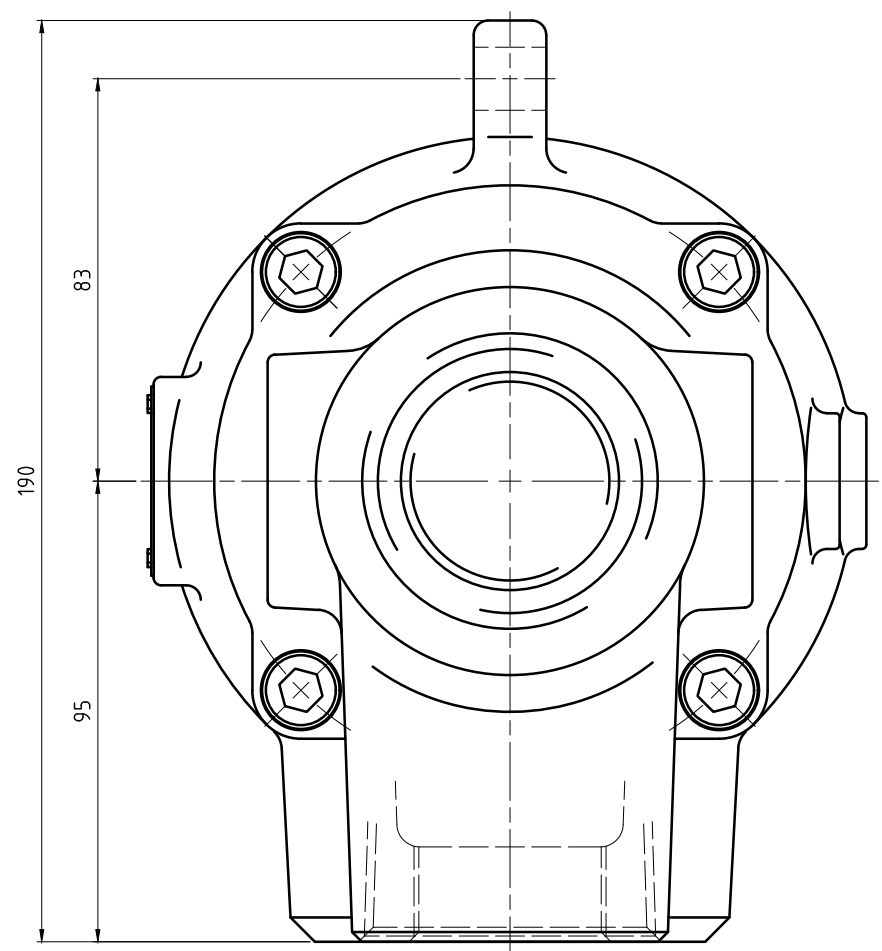


CONFIDENTIAL
 THIS DOCUMENT CONTAINS CONFIDENTIAL AND PROPRIETARY
 INFORMATION OF DEUBLIN COMPANY. COPYING, USE,
 TRANSMISSION, DISTRIBUTION, AND DISCLOSURE ARE SUBJECT
 TO THE TERMS AND CONDITIONS CONTAINED IN YOUR
 AGREEMENT WITH DEUBLIN COMPANY. ALL RIGHTS RESERVED.

NOTES:

- 1 - TORQUE LUG PROVIDED FOR ANTI-ROTATION. DO NOT RESTRICT MOVEMENT OF UNION.
- 2 - THE END CAP AND HOUSING ORIENTATION MAY BE CHANGED DURING INSTALLATION AS REQUIRED BY THE CUSTOMER.
- 3 - THE END CAP ORIENTATION MUST NOT EXTEND ABOVE THE HORIZONTAL CENTERLINE.
- 4 - DISCARD GASKET AFTER REMOVING END CAP AND REPLACE WITH SUPPLIED GASKET PER INSTALLATION INSTRUCTION 040-535.
- 5 - DO NOT PLUG UP THE VENT HOLE NEAREST TO THE 6 O'CLOCK POSITION.



OPERATING DATA	
MEDIA	HOT OIL
MAX. PRESSURE	7 bar
MAX. SPEED	400 RPM
MAX. TEMPERATURE	232°C

DEUBLIN
 Engineered for Performance

PROJECTION:

SCALE: 1:1

MATERIAL: INTERFACE CONTROL DRAWING

DATE	NAME	TITLE
DRN. 03/13/2013	R. Abarca	DEUBLIN UNION
ENGR. 03/13/2013	P. Masini	
APPD.		

NO. H57-149-220781

SHEET A2

UNLESS SPECIFICALLY TOLERANCED, ALL DIMENSIONS ARE CONSIDERED REFERENCE

ISSUE	MODIFICATION	ECO	DATE	RA	SIGN
A	UPDATE TO MS	022369	03/12	RA	