


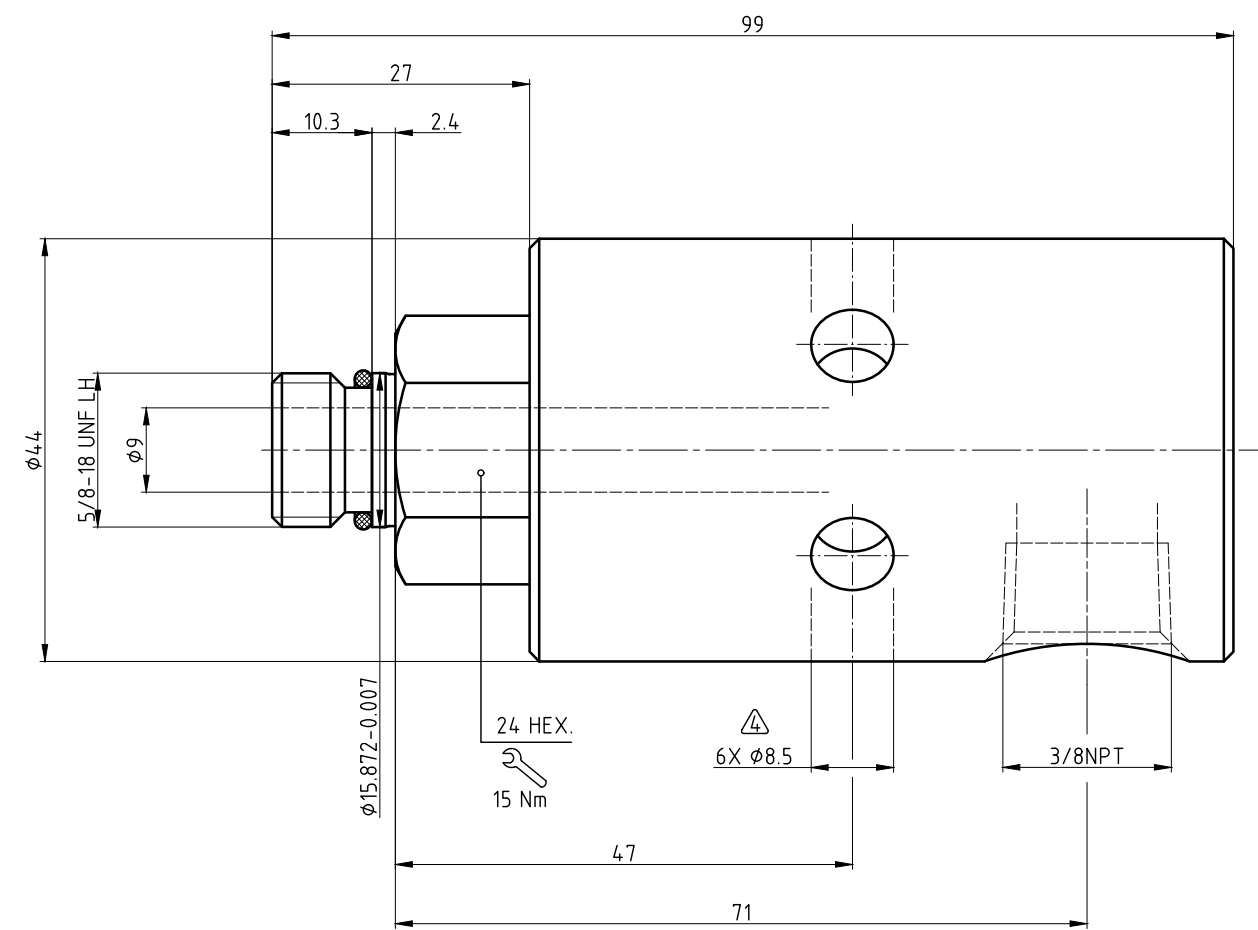
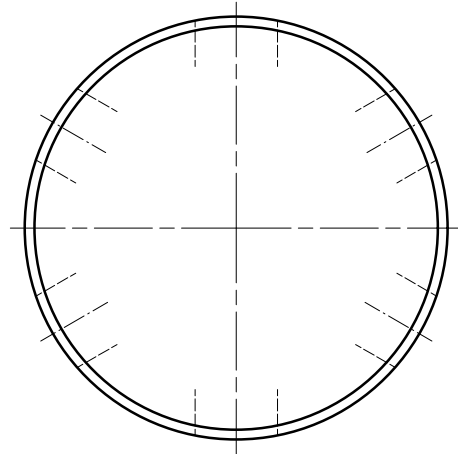
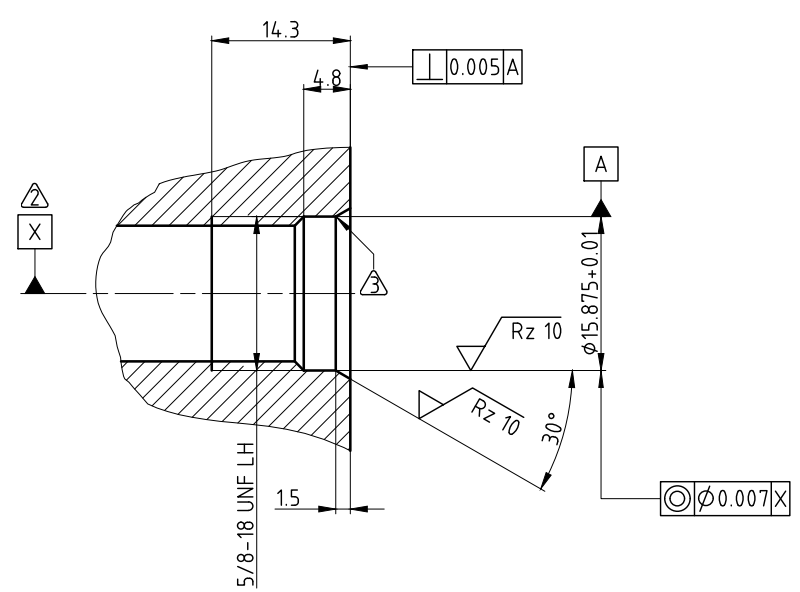


NOTES:

- 1 - USE INSTRUCTION MANUAL 040-554!
-  - SPINDLE BEARING ARRANGEMENT
-  - ROUNDED
-  - VENT




CUSTOMER'S INTERFACE



OPERATING DATA		
MEDIA	COOLANT	MQL
PRESSURE MAX.	70 bar	10 bar
SPEED MAX.	12000 min ⁻¹	12000 min ⁻¹
TEMPERATURE MAX.	70 °C	70 °C
FLOW RATE MAX.	82 l/min	2550 NI/min
DRY RUN	NO	

DEUBLIN
 Engineered for Performance

PROJECTION: 

SCALE: 2:1

MATERIAL: INTERFACE CONTROL DRAWING

DATE	NAME	TITLE:
DRN. 10.05.2010	CW	DEUBLIN ROTATING UNION
ENGR. 10.05.2010	FD	DEUBLIN Drehdurchführung
APPD.		

NO. 1116-090-051

SHEET A2

UNLESS SPECIFICALLY TOLERANCED, ALL DIMENSIONS ARE CONSIDERED REFERENCE

ISSUE	MODIFICATION	ECO	DATE	SIGN