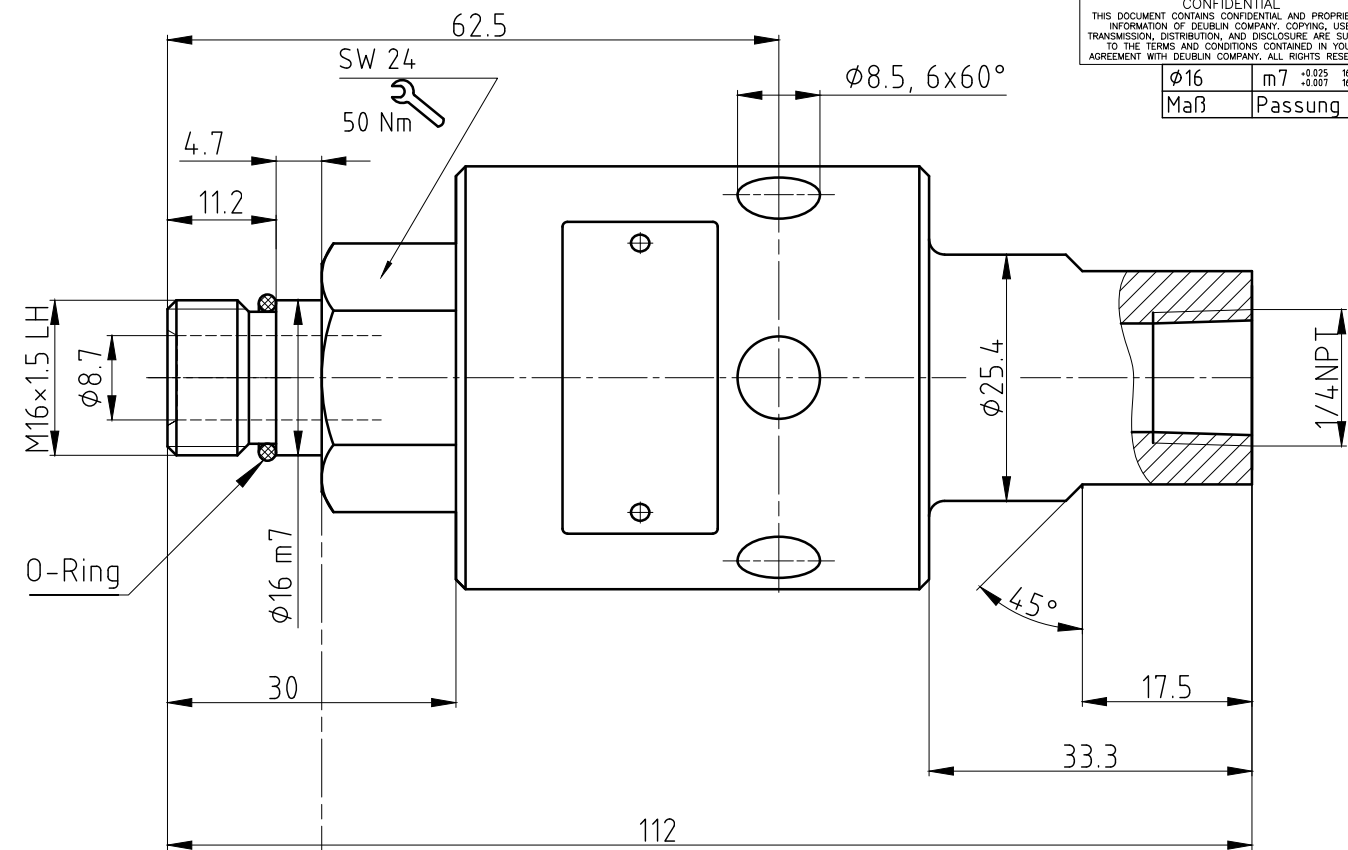
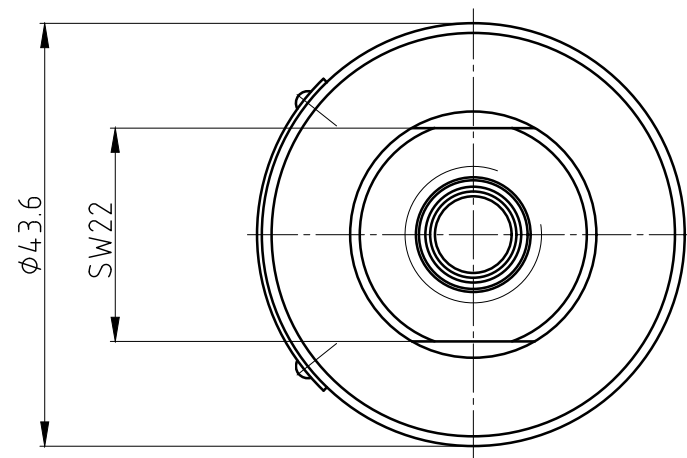
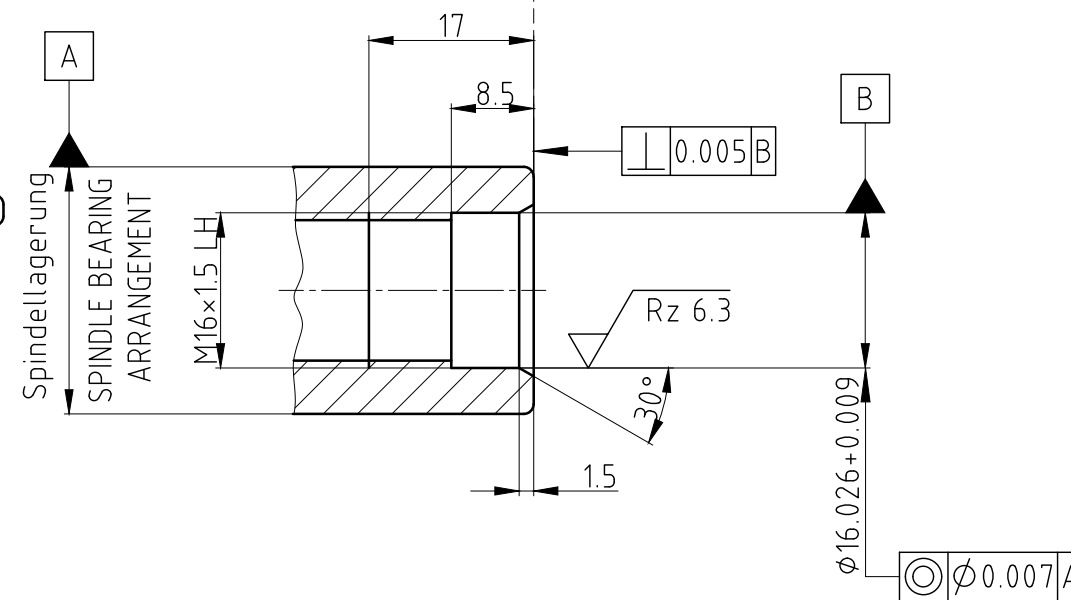


CONFIDENTIAL
 THIS DOCUMENT CONTAINS CONFIDENTIAL AND PROPRIETARY INFORMATION OF DEUBLIN COMPANY. COPYING, USE, TRANSMISSION, DISTRIBUTION, AND DISCLOSURE ARE SUBJECT TO THE TERMS AND CONDITIONS CONTAINED IN YOUR AGREEMENT WITH DEUBLIN COMPANY. ALL RIGHTS RESERVED.

φ16	m7	+0.025	+0.025
Maß	Passung	-0.007	-0.007



Spindelende des Kunden
 CUSTOMER'S SPINDLE END



OPERATING DATA / Betriebsdaten

MEDIA/Medium	HYDRAULIC OIL	Hydrauliköl
p max.	1000 PSI	70 bar
n max.	3500 RPM	3500 1/min
t max.	160 °F	70 °C
Q max.	13.2 GPM	50 l/min
FILTRATION/Filterung	60 µm	60 µm

(a)

DEUBLIN GmbH D-65719 HOFHEIM-WALLAU, GERMANY	PROJECTION: 	SCALE: 2:1 Z:\UNIONS\
	DATE: 24.10.2006 NAME: Ch. Wolf ENGR. 24.10.2006 H.J. Huhn APPD.	MATERIAL: INTERFACE CONTROL DRAWING
TITLE: DEUBLIN ROTATING UNION DEUBLIN Drehdurchführung		NO. 1116-679-143
a war KSS, 10.000 U/min ISSUE MODIFICATION ECO 06333 DATE 08.12.06 CW SIGN	UNLESS SPECIFICALLY TOLERANCED, ALL DIMENSIONS ARE CONSIDERED REFERENCE	SHEET A2