

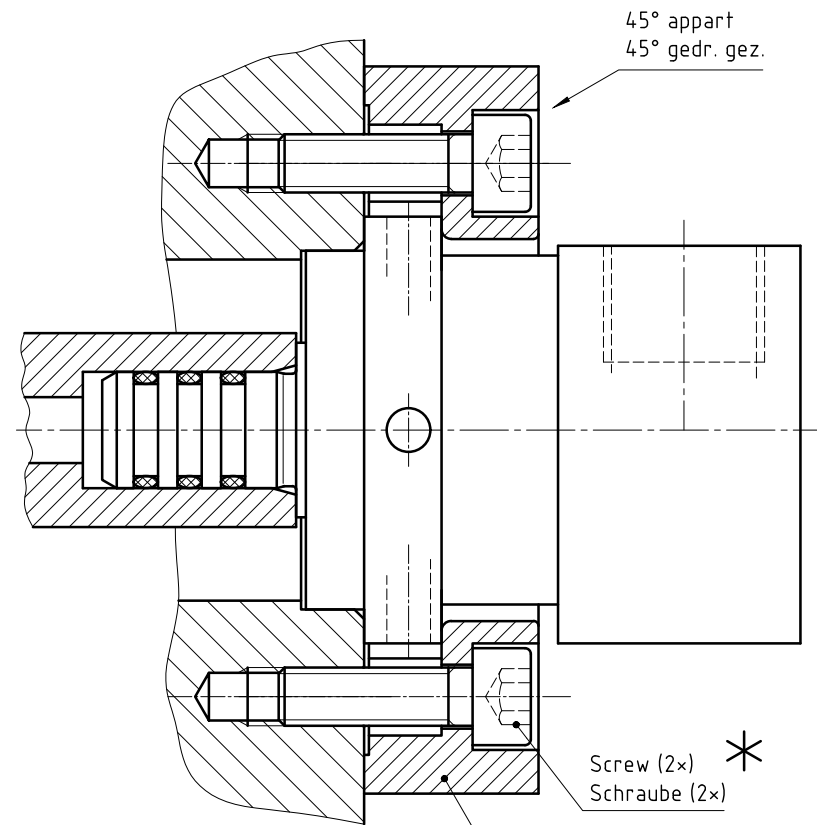
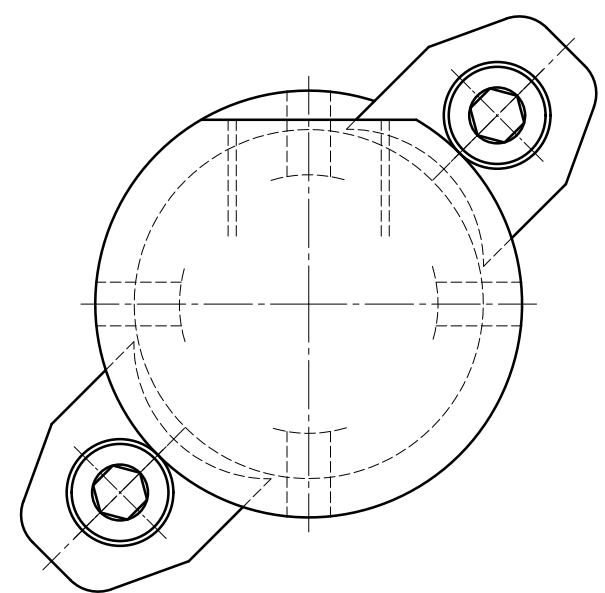
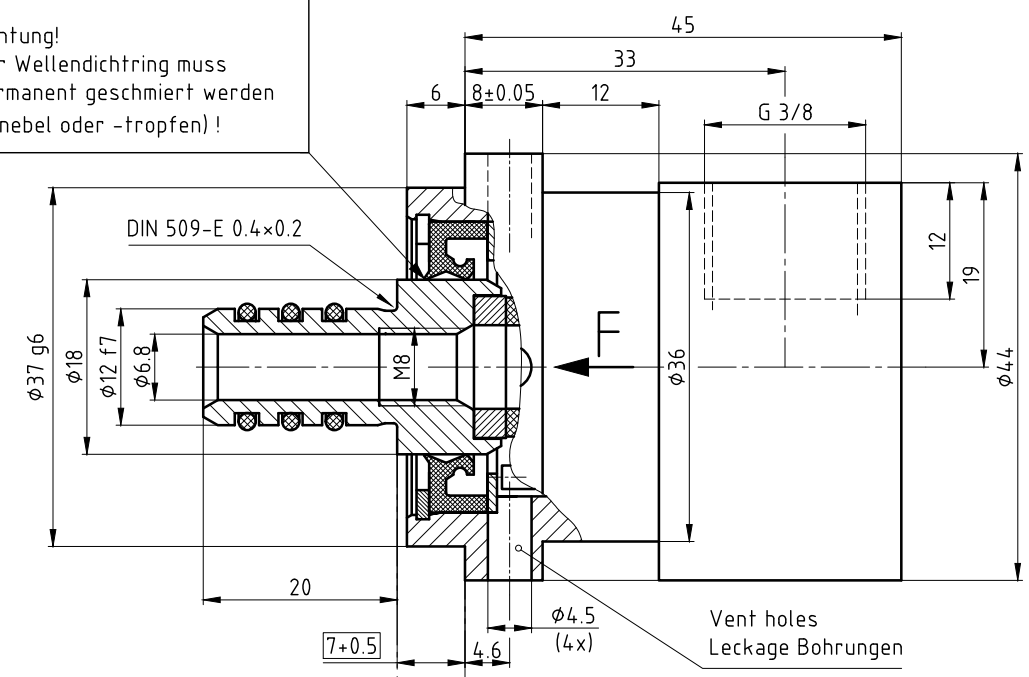
CONFIDENTIAL
 THIS DOCUMENT CONTAINS CONFIDENTIAL AND PROPRIETARY INFORMATION OF DEUBLIN COMPANY. COPYING, USE, TRANSMISSION, DISTRIBUTION, AND DISCLOSURE ARE SUBJECT TO THE TERMS AND CONDITIONS CONTAINED IN YOUR AGREEMENT WITH DEUBLIN COMPANY. ALL RIGHTS RESERVED.

Bearingless Union, Installed
 Dichtungssatz, eingebaut

φ37	g6	-0.009	36.991
		-0.025	36.975
φ12	f7	-0.016	11.984
		-0.034	11.950
φ37	H7	+0.025	37.025
		0	37.000
φ12	H7	+0.018	12.018
		0	12.000
Maß	Passung		

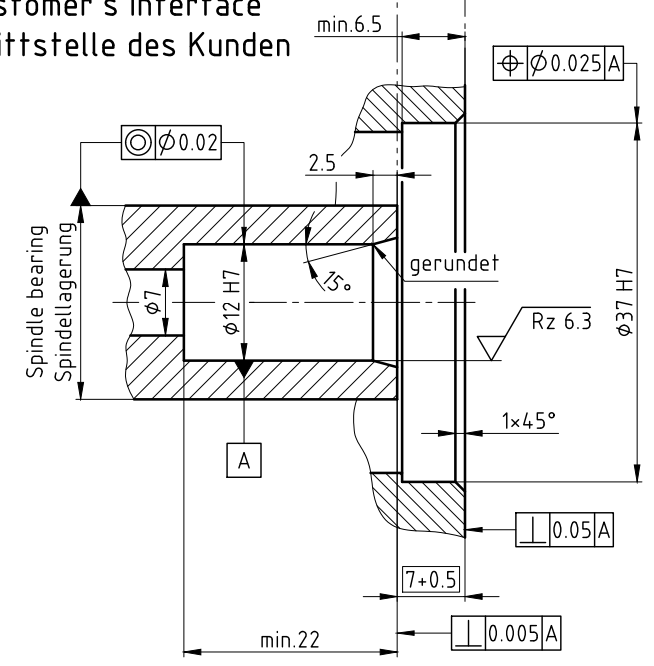
Attention!
 The sealring must be constantly lubricated (oil mist or drops)!

Achtung!
 Der Wellendichtring muss permanent geschmiert werden (Ölnebel oder -tropfen)!



* - Supplied by customer.
 Vom Kunden gestellt.

Customer's Interface
 Schnittstelle des Kunden



ATTENTION!
 OBSERVE THE AXIAL SPINDLE LOAD, RESULTING FROM THE ACTIVE PRESSURE LOADED AREA AND THE MEDIA SUPPLY PRESSURE!
 THE RISE OF FORCE AMOUNTS 12.7 N/bar.
 Achtung!
 Die aus der hydraulisch aktiven Fläche und dem jeweiligen Druck resultierende Axialbelastung der Spindel beachten!
 Der Anstieg der Axialkraft beträgt 12.7 N/bar.

OPERATING DATA / Betriebsdaten

MEDIA/Medium	MQL	MMS
p max.	150 PSI	10 bar
Q max.	90 SCFM	2550 NI/min
n max.	10000 RPM	10000 1/min
t max.	250 °F	120 °C
FILTRATION/Filterung	60 µm	60 µm

DEUBLIN GmbH
 D-65719 HOFHEIM-WALLAU, GERMANY

PROJECTION:

SCALE: 2:1 Z:\UNIONS\

MATERIAL: INTERFACE CONTROL DRAWING

DRN.	13.03.2002	V. Wiege
ENGR.	13.06.2001	Ch. Wolf
APPD.		

TITLE: DEUBLIN BEARINGLESS UNION
 DEUBLIN Dichtungssatz

NO. 1117-710

ISSUE MODIFICATION ECO DATE SIGN

UNLESS SPECIFICALLY TOLERANCED, ALL DIMENSIONS ARE CONSIDERED REFERENCE

SHEET A2