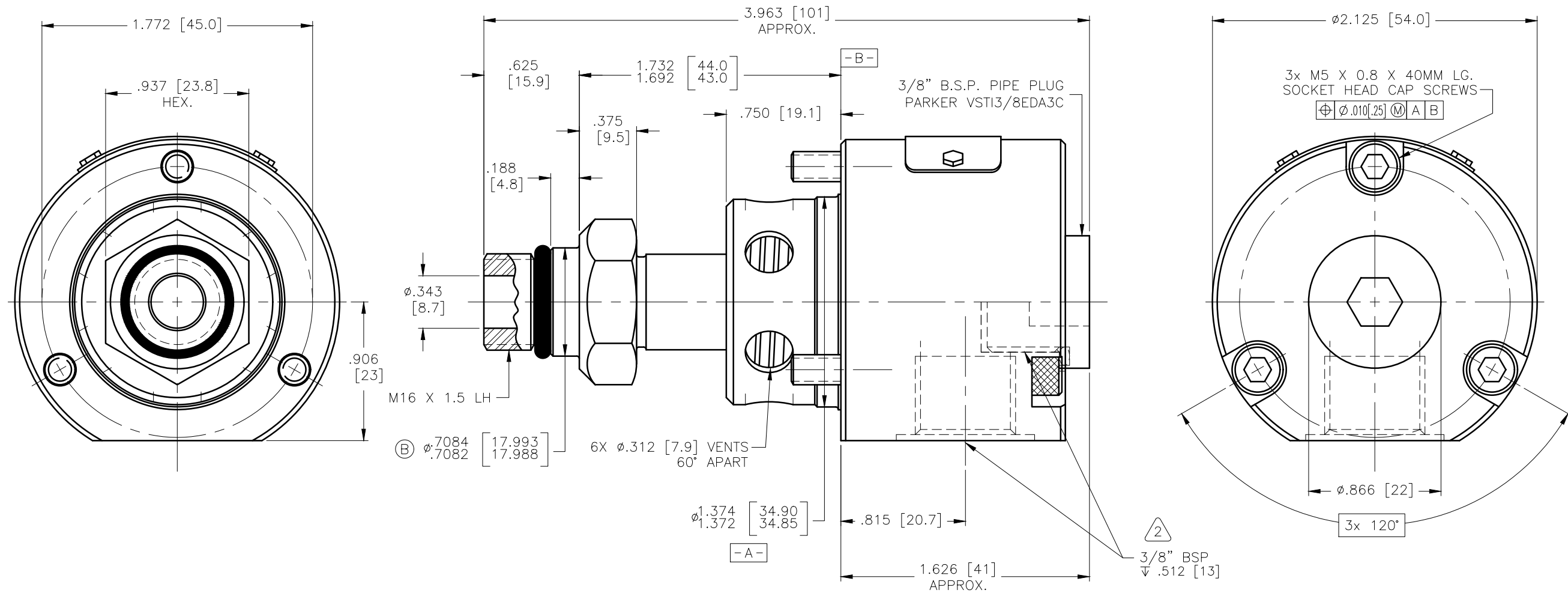


NOTES:

- 1 - WHEN ORDERING FROM DEUBLIN USE PART NUMBER: 1129-050-301.
- 2 - THREADS MANUFACTURED PER DIN 3852 SPECIFICATION.



**OPERATING DATA:**

DEUBLIN "POP-OFF" COOLANT UNION  
WATERBASED COOLANTS

- (B) 2030 PSI (140 BAR) MAX. PRESSURE
- (B) 30,000 RPM (30,000/min) MAX. SPEED
- (C) 56.5 L/min (14.9 GPM) MAX. FLOW CAPACITY

NOTE:  
(B) WILL ACCEPT THE THERMAL EXPANSION  
OF THE SPINDLE UP TO .027 (.7mm)

WARNING:  
FOR EVERY 100 PSI (.7Mpa) OF COOLANT PRESSURE  
APPROX. 20 POUNDS (10Kg) OF FORCE IS  
EXERTED ON THE UNION SIDE OF THE SPINDLE.

SEAL CLOSING REQUIRES A MINIMUM OF  
15 PSI (.1Mpa) AND 1.5 GPM FLOW RATE

PATENTED USA, #5,617,879, AND OTHER FOREIGN COUNTRIES

EQUIPMENT REF:				SCALE	2:1
ASSY/TEST FIXTURES REQUIRED:				DWN	RM 04/07/03
UNLESS OTHERWISE SPECIFIED TOLERANCES ±.010. DIMENSIONS IN ( ) ARE IN MILLIMETERS.				ENGR	ARS 04/07/03
NO.				APPD	ZK 04/07/03
TITLE:				DEUBLIN COMPANY	
1129-050-301-IC				WAUKEGAN, ILLINOIS, U.S.A.	
C FLOW RATE WAS 24.3 L/MIN				004648 01/09 LG	
B REVISED OP. DATA AND DIM. WAS 0.7084/.7074 [417.993/17.960]				8282 05/07 NR	
A FLOW RATE WAS 4 GPM				5523 07/03 RM	
LET.	REVISION	ECO	DATE	SIGN	