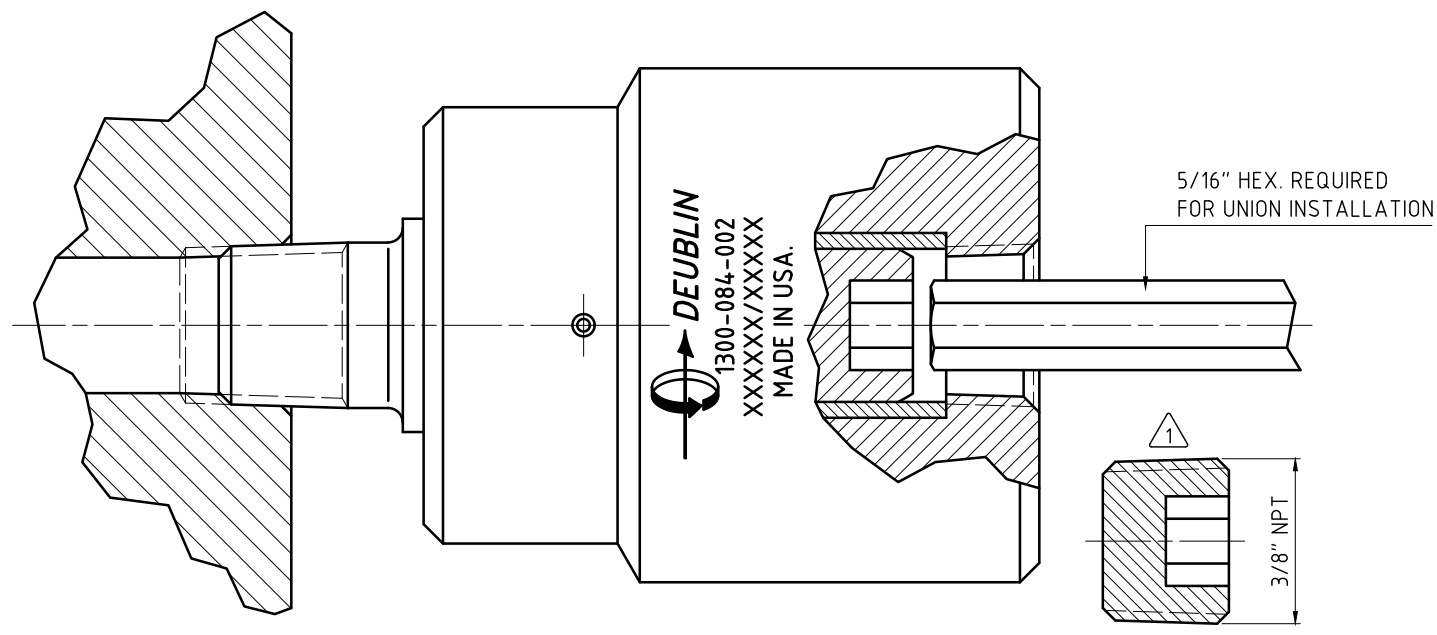
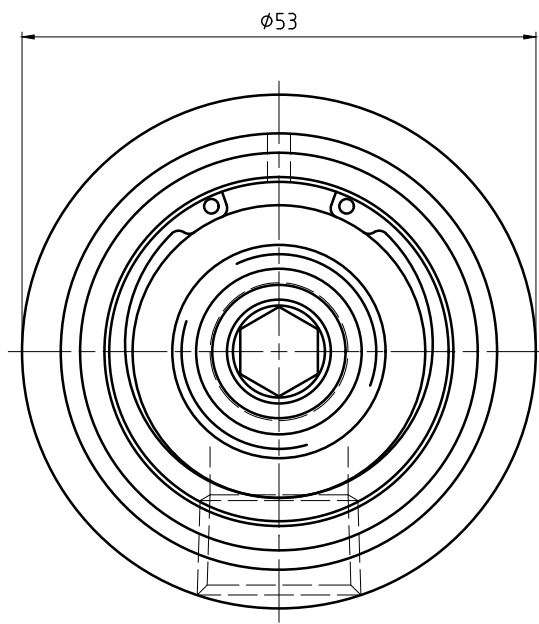
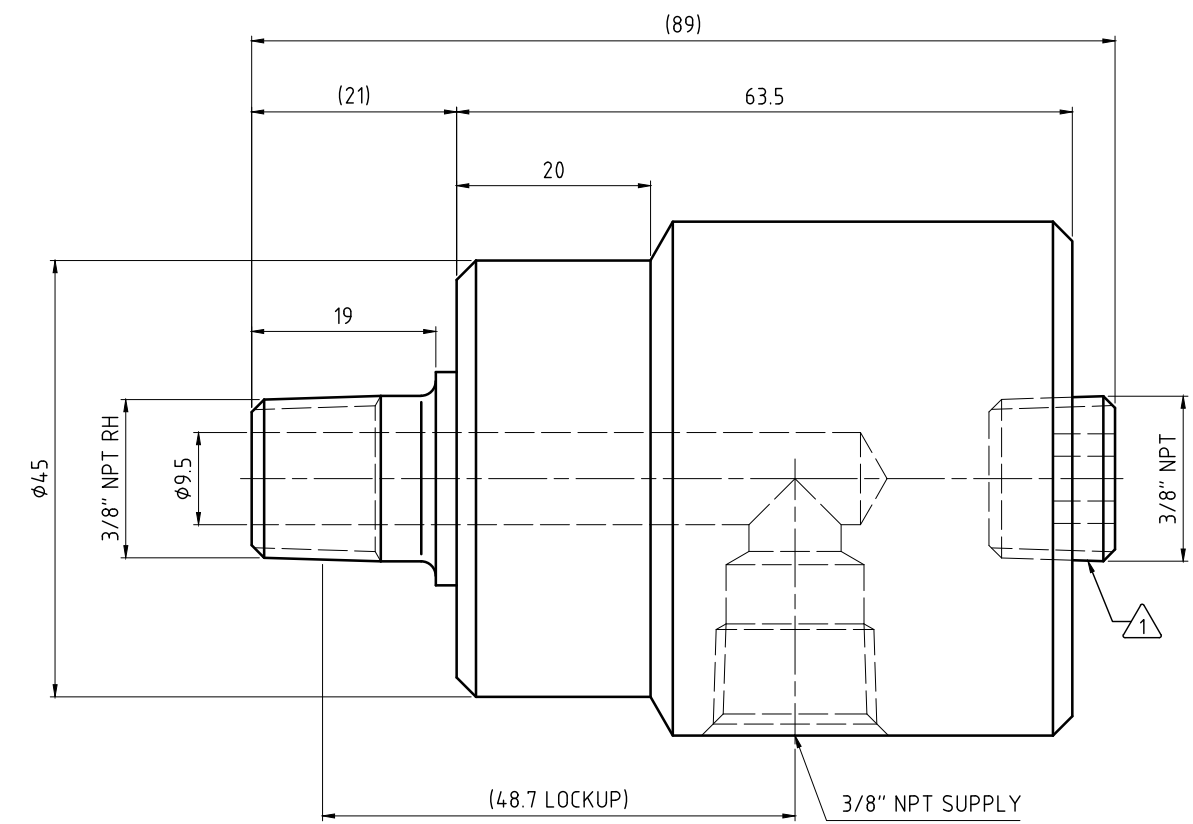


CONFIDENTIAL
 THIS DOCUMENT CONTAINS CONFIDENTIAL AND PROPRIETARY
 INFORMATION OF DEUBLIN COMPANY. COPYING, USE,
 TRANSMISSION, DISTRIBUTION, AND DISCLOSURE ARE SUBJECT
 TO THE TERMS AND CONDITIONS CONTAINED IN YOUR
 AGREEMENT WITH DEUBLIN COMPANY. ALL RIGHTS RESERVED.

NOTES:

① - 3/8" PIPE PLUG SUPPLIED INSTALLED HAND TIGHT.
 MUST BE SEALED AND TIGHTENED BY CUSTOMER
 AFTER UNION INSTALLATION.



OPERATING DATA	
MEDIA	HYD OIL
MAX. PRESSURE	34 bar
MAX. SPEED	1500/min
MAX. MEDIA TEMPERATURE	121°C

		PROJECTION:		SCALE: 2:1	
		DATE	NAME	TITLE: INTERFACE CONTROL DRAWING	
		DRN. 11/27/13	N. Reyna	DEUBLIN UNION	
		ENGR. 11/27/13	T. Wilson		
		APPD.			
		UNLESS SPECIFICALLY TOLERANCED, ALL DIMENSIONS ARE CONSIDERED REFERENCE		NO. 1300-084-002	
ISSUE	MODIFICATION	ECO	DATE	SIGN	SHEET