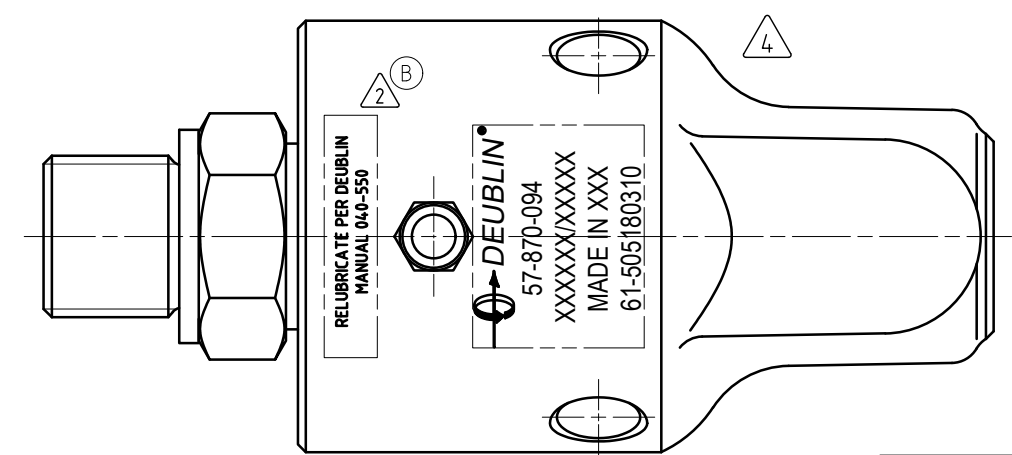
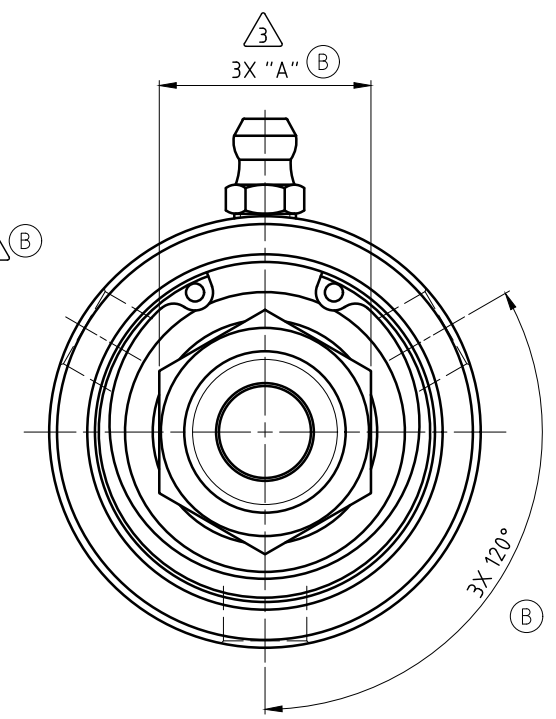
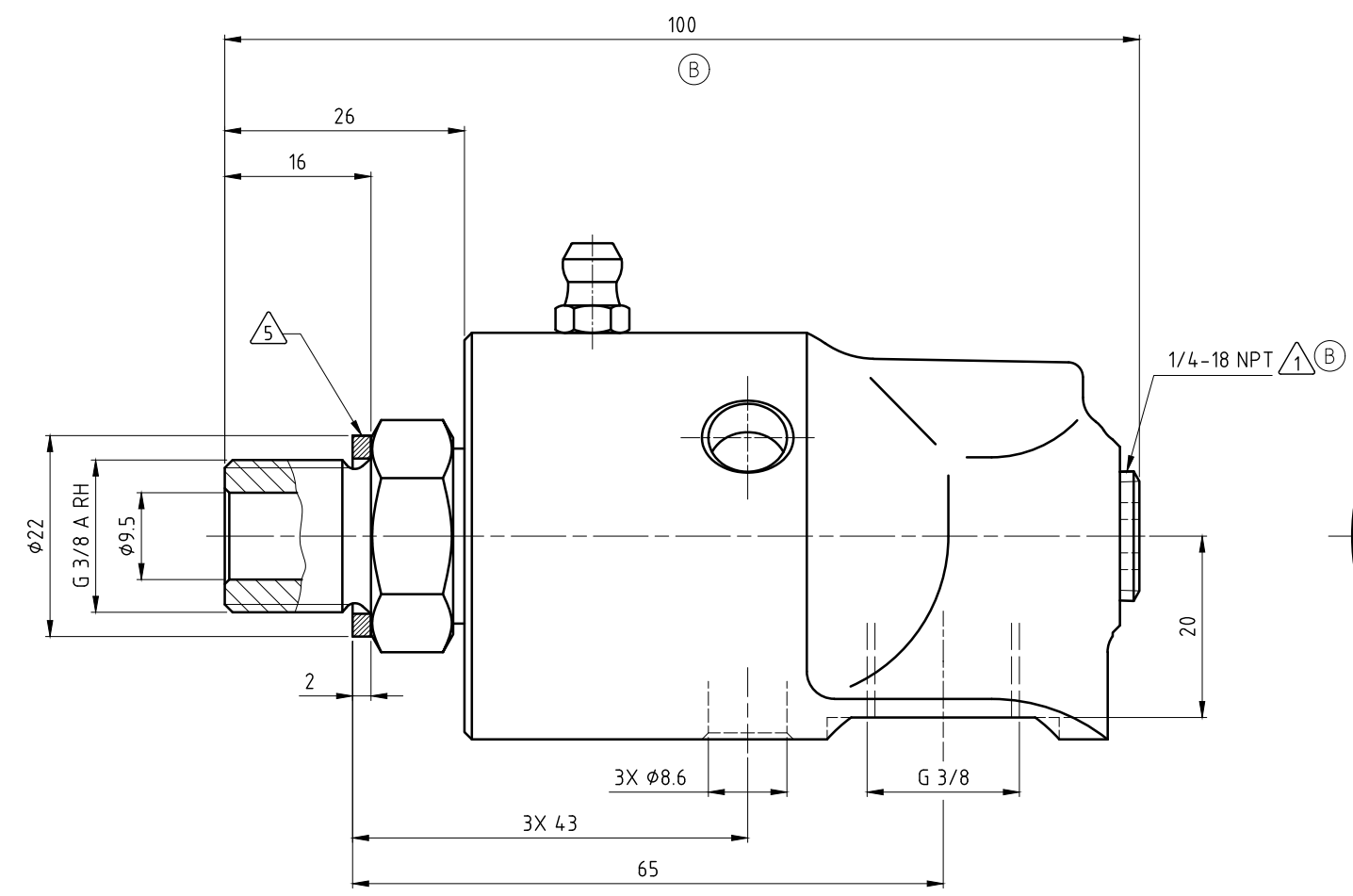
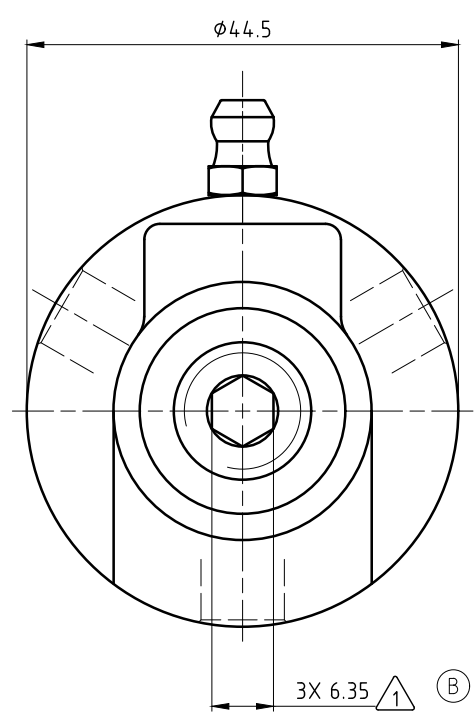


CONFIDENTIAL
 THIS DOCUMENT CONTAINS CONFIDENTIAL AND PROPRIETARY INFORMATION OF DEUBLIN COMPANY. COPYING, USE, TRANSMISSION, DISTRIBUTION, AND DISCLOSURE ARE SUBJECT TO THE TERMS AND CONDITIONS CONTAINED IN YOUR AGREEMENT WITH DEUBLIN COMPANY. ALL RIGHTS RESERVED.

NOTES:



- ① - PLUG INSTALLED HAND TIGHT FROM FACTORY. IF PORT IS NOT UTILIZED, TIGHTEN BEFORE USE.
- ② - CONTACT DEUBLIN OR VISIT WWW.DEUBLIN.COM FOR INSTRUCTION MANUAL: 040-550
- ③ - DEPENDING ON COUNTRY OF ORIGIN, HEX STOCK MAY VARY AS NOTED. SEE TABLE FOR ACCEPTABLE WRENCH SIZES. (B)
- ④ - SOUDRONIC NUMBER.
- ⑤ - GASKET 17X22X2 PVC HARD.



OPERATING DATA

MEDIA	WATER	SATURATED STEAM (INTERMITTENT)	HOT OIL
PRESSURE MAX.	50 bar	1 bar	6.6 bar
SPEED MAX.	3500 min ⁻¹		
TEMPERATURE MAX.	121 °C (B)		
DRY RUN (WITHOUT ANY MEDIA)	NO		

③	HEX SIZES		WRENCHES	
	UNITS	"A"	22mm	7/8"
②	METRIC [mm]	22-0.33	✓	✓
	IMPERIAL [in]	22.23-0.013	✗	✓


 PROJECTION:  SCALE: 2:1
 MATERIAL: INTERFACE CONTROL DRAWING
 TITLE: DEUBLIN ROTATING UNION
 DEUBLIN Drehdurchführung
 NO. 57-870-094
 SHEET A2

DATE	NAME	DATE	NAME
DRN. 5/11/2020	MSvetlicich		
ENGR. 05/14/2020	RMika		
APPD.			

ISSUE	MODIFICATION	ECO	DATE	SIGN
B	SEE CD	60034	1/21	MTS
A	Release	056200	05/20	MTS

UNLESS SPECIFICALLY TOLERANCED, ALL DIMENSIONS ARE CONSIDERED REFERENCE