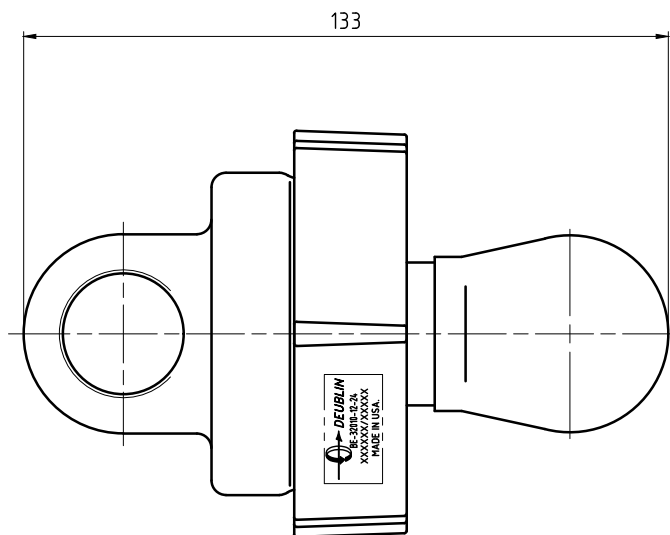
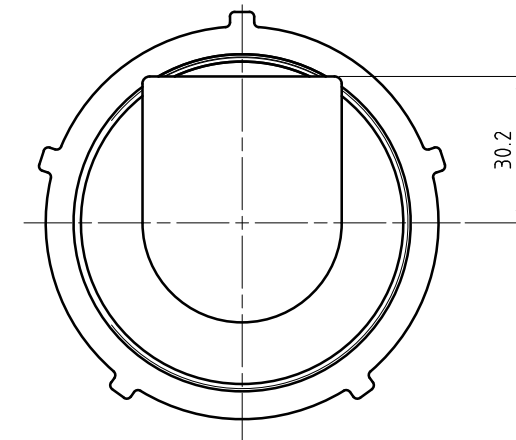
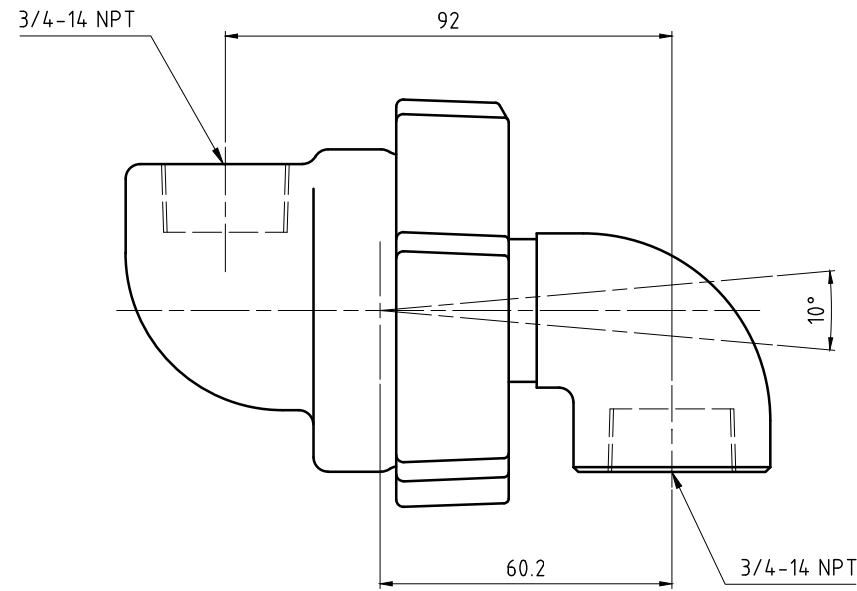
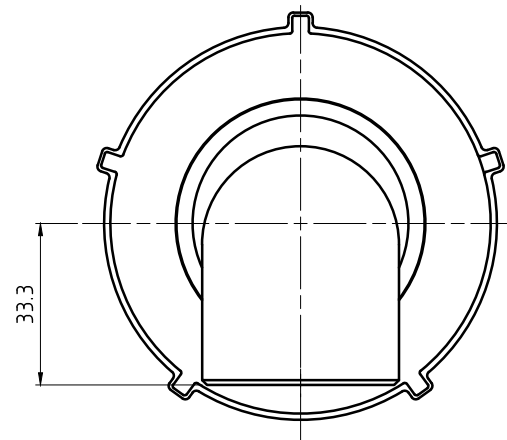




CONFIDENTIAL  
 THIS DOCUMENT CONTAINS CONFIDENTIAL AND PROPRIETARY  
 INFORMATION OF DEUBLIN COMPANY. COPYING, USE,  
 TRANSMISSION, DISTRIBUTION, AND DISCLOSURE ARE SUBJECT  
 TO THE TERMS AND CONDITIONS CONTAINED IN YOUR  
 AGREEMENT WITH DEUBLIN COMPANY. ALL RIGHTS RESERVED.



		PROJECTION: 	SCALE: 1:1			
			MATERIAL: INTERFACE CONTROL DRAWING			
		DATE: 08/01/14 NAME: N. Reyna	TITLE: SWIVEL SELF-ALIGNING DOUBLE 90° 3/4" NPT			
		ENGR: 08/01/14 NAME: L. Freed				
		APPD.				
A ISSUE	REVISED GEOMETRY MODIFICATION	033996 ECO	07/15 DATE	NR SIGN	NO. BE-32010-12-24	SHEET A3
UNLESS SPECIFICALLY TOLERANCED, ALL DIMENSIONS ARE CONSIDERED REFERENCE						