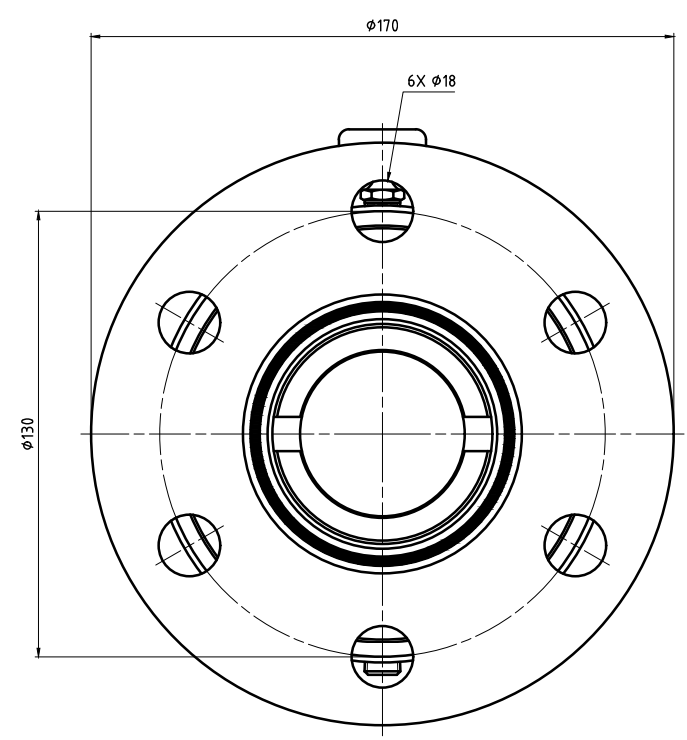
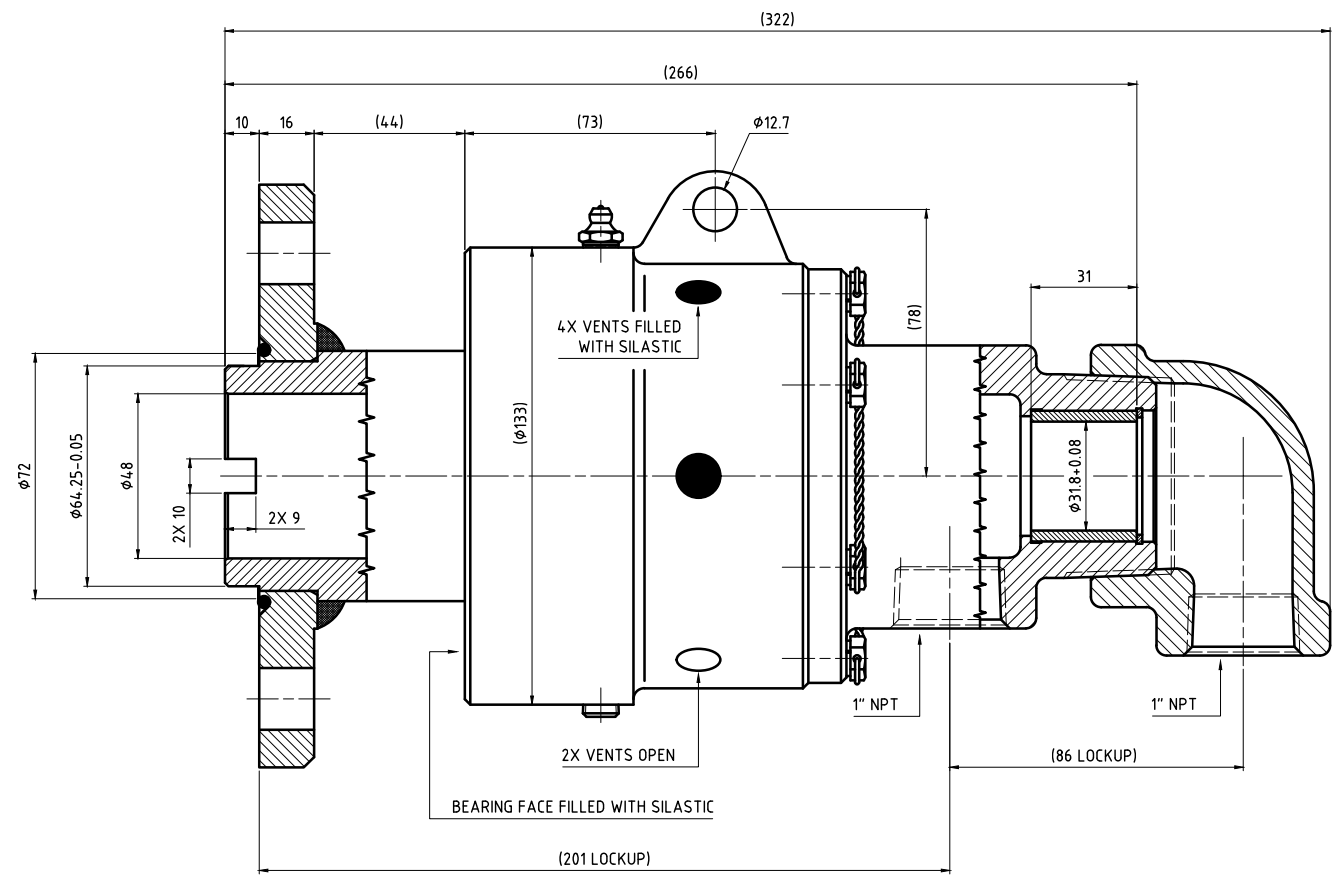


CONFIDENTIAL  
 THIS DOCUMENT CONTAINS CONFIDENTIAL AND PROPRIETARY INFORMATION OF DEUBLIN COMPANY. COPYING, REPRODUCTION, DISTRIBUTION, AND DISCLOSURE ARE SUBJECT TO THE TERMS AND CONDITIONS CONTAINED IN YOUR AGREEMENT WITH DEUBLIN COMPANY. ALL RIGHTS RESERVED.



**OPERATING DATA:**  
 WATER SERVICE  
 10 bar MAX. PRESSURE  
 750 RPM MAX. SPEED  
 93°C MAX. MEDIA TEMPERATURE

<b>DEUBLIN COMPANY</b> WAUKEGAN, ILLINOIS, U.S.A.		PROJECTION: 	SCALE: 1:1 MATERIAL:
DRN	08/02/12	DATE	NAME
ENGR	08/02/12	DATE	NAME
APPD.		DATE	NAME
TITLE: <b>INTERFACE CONTROL DRAWING</b> <b>DEUBLIN UNION 6200-785-477</b>			NO.
UNLESS SPECIFICALLY TOLERANCED, ALL DIMENSIONS ARE CONSIDERED REFERENCE			NO. <b>6200-785-477</b> SHEET <b>A1</b>
ISSUE/	MODIFICATION	ECD	DATE
			SIGN