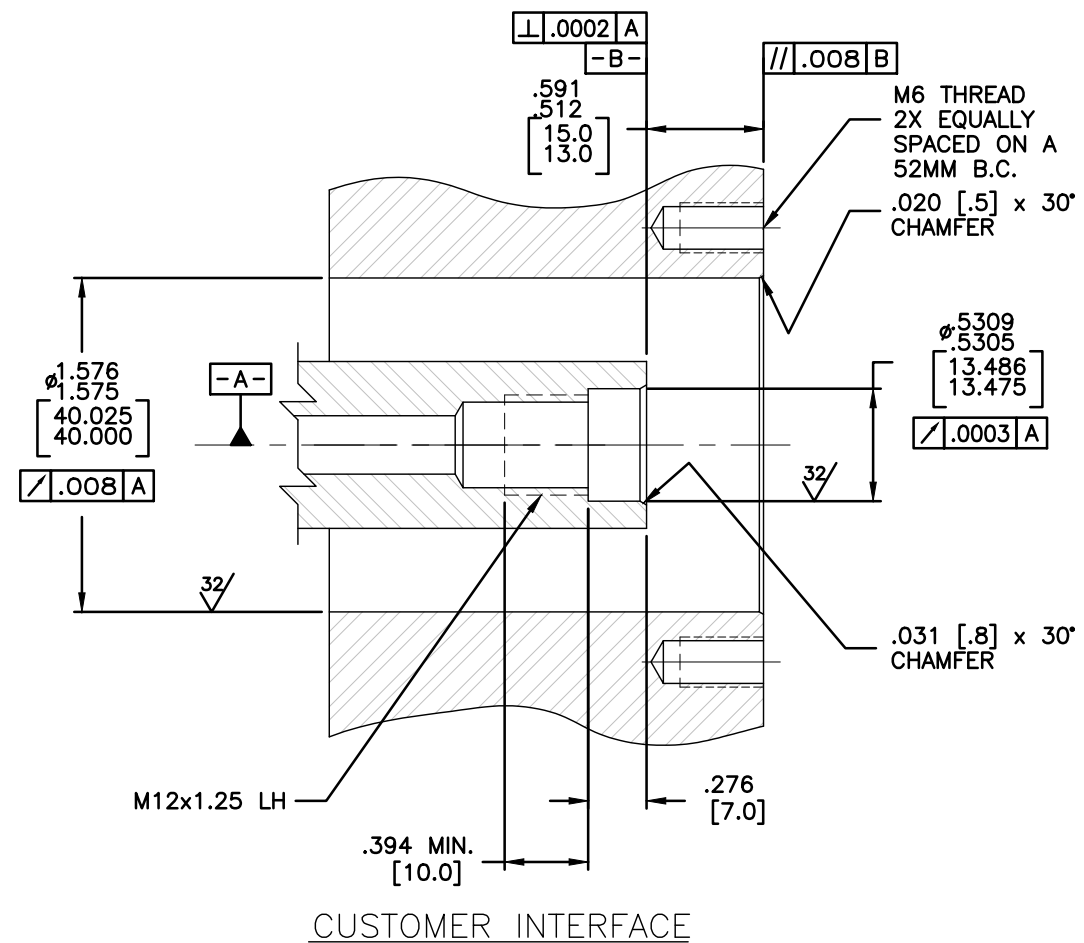
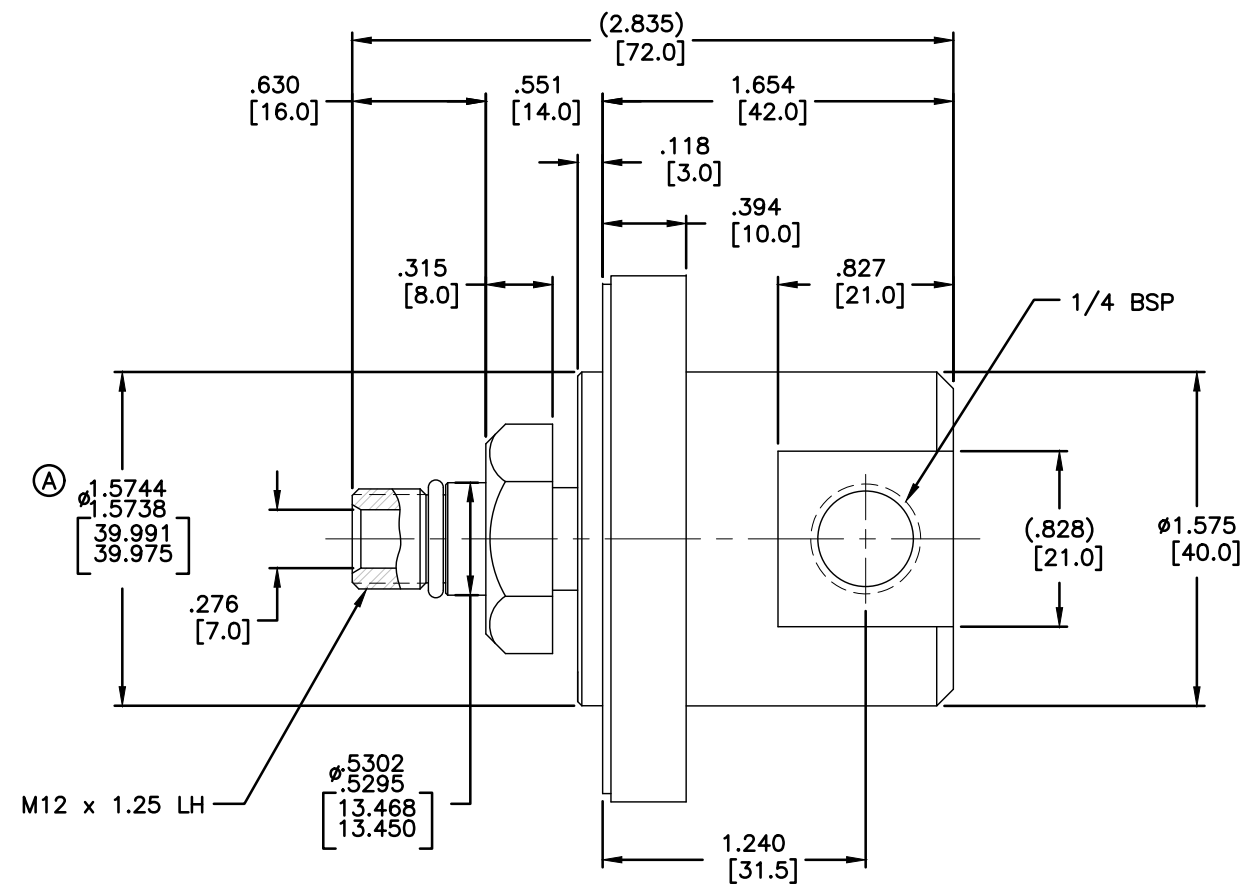
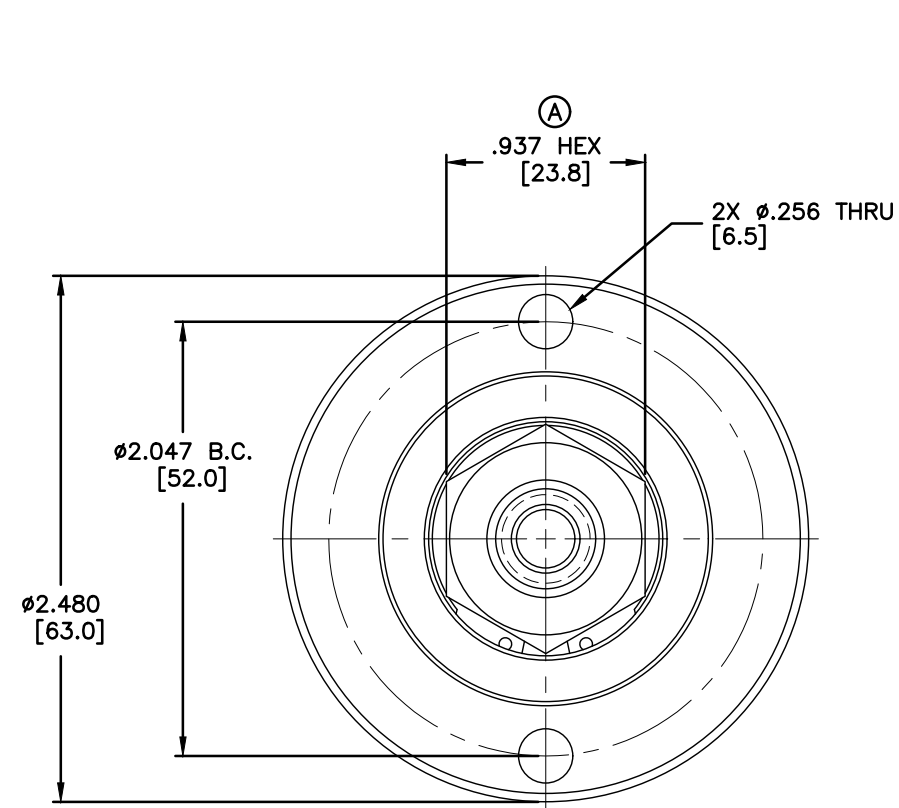


NOTES:

1 - WHEN ORDERING UNION FROM DEUBLIN USE PART NUMBER 1117-440-442.



**OPERATING DATA:**  
 COOLANT SERVICE  
 2000 PSI [138bar] MAX. PRESSURE  
 20,000 RPM [20,000/min] MAX. SPEED  
 250°F [121°C] MAX. TEMPERATURE  
 8.3 GPM [30L/min] MAX. FLOW  
 RECOMMENDED FILTRATION 25 MICRONS

CONFIDENTIAL  
 THIS DOCUMENT CONTAINS PROPRIETARY INFORMATION AND IS NOT TO BE TRANSMITTED, REPRODUCED, USED OR DISCLOSED TO ANYONE WITHOUT THE WRITTEN PERMISSION OF THE DEUBLIN COMPANY.

**DEUBLIN COMPANY**  
 WAUKEGAN, ILLINOIS, U.S.A.

TITLE: INTERFACE CONTROL DRAWING FOR UNION 1117-440-442  
 NO. 1117-440-442  
 C.A.D DRAWING

EQUIPMENT REF:		SCALE 1.66:1	DWG SIZE C
ASSY/TEST FIXTURES REQUIRED:		DRN RM 02/20/02	ENGR ARS 02/20/02
UNLESS OTHERWISE SPECIFIED TOLERANCES ±.010. DIMENSIONS IN [ ] ARE IN MILLIMETERS.		APPD ARS 02/20/02	
A	WAS 1.574/1.564, WAS .945 HEX.	05/02	RM
LET.	REVISION	ECO	DATE SIGN