

CONFIDENTIAL

The reproduction, distribution and utilization of this document as well as the communication of its contents to others without express authorization is prohibited. Offenders will be held liable for the payment of damages. All rights reserved in the event of the grant of a patent, utility model or design.

NOTES:

① - PIPE SUPPLIED BY CUSTOMER.

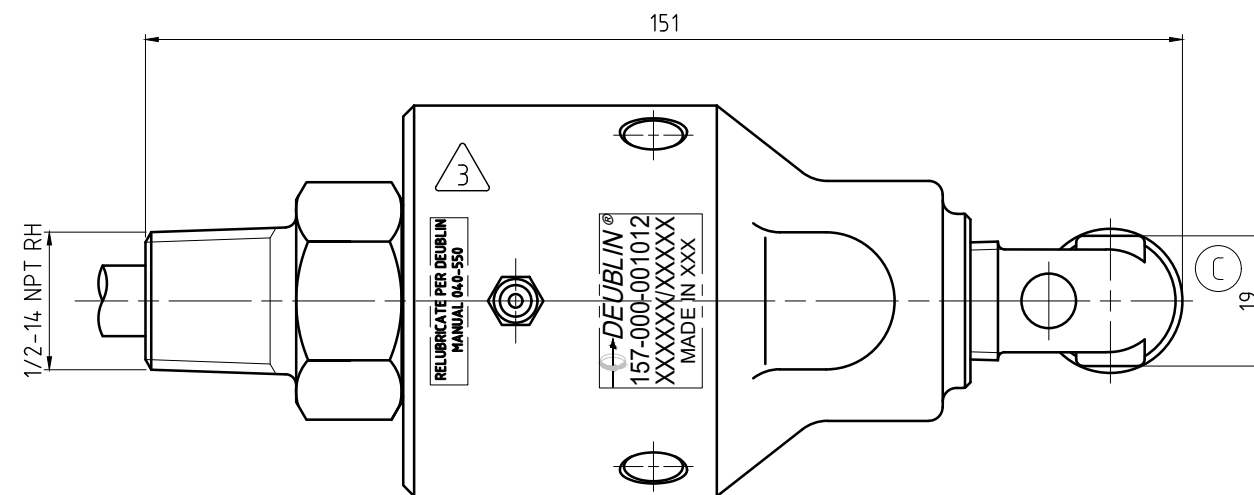
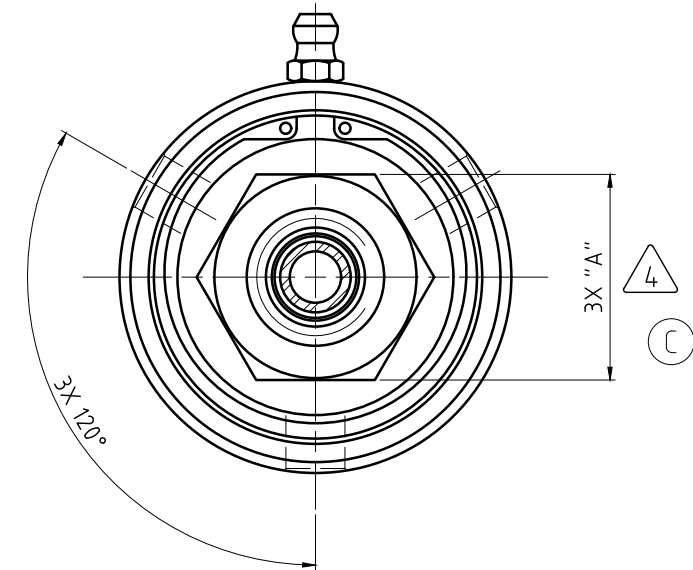
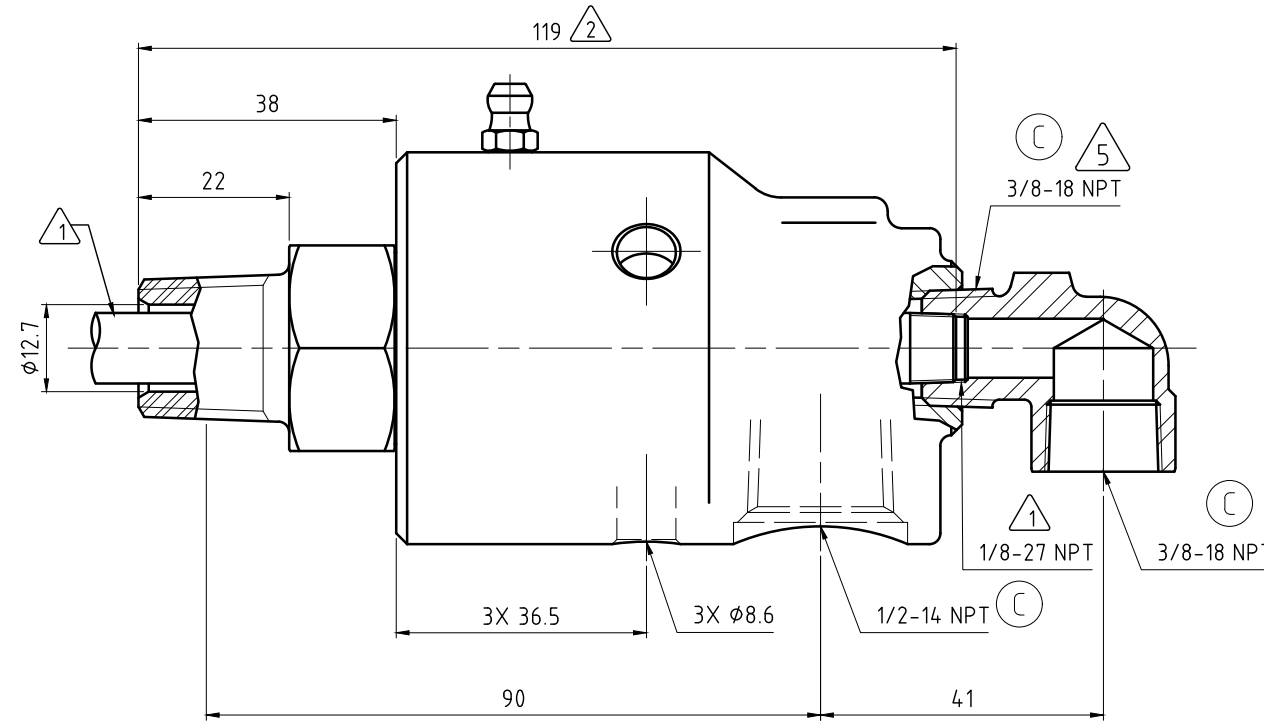
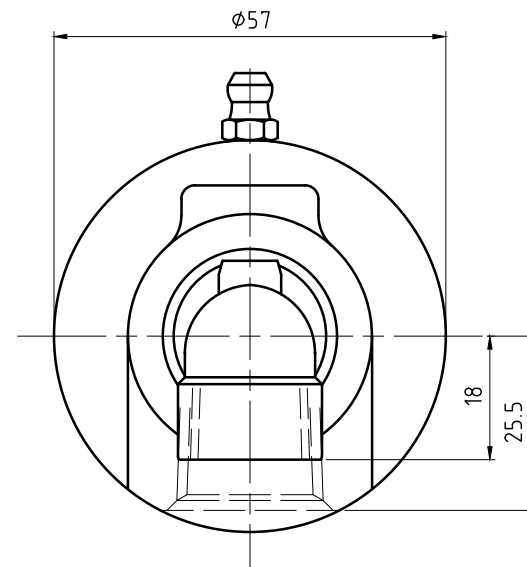
② - PIPE LENGTH.

③ - CONTACT DEUBLIN OR VISIT WWW.DEUBLIN.COM FOR INSTRUCTION MANUAL: 040-550

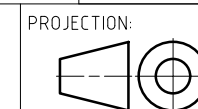
④ - DEPENDING ON COUNTRY OF ORIGIN, HEX STOCK MAY VARY AS NOTED. SEE TABLE FOR ACCEPTABLE WRENCH SIZES.

⑤ - FITTING TO BE ASSEMBLED HAND-TIGHT, OR MAY BE SHIPPED UNASSEMBLED.

Ⓢ



OPERATING DATA			
MEDIA	WATER	SATURATED STEAM (INTERMITTENT)	THERMAL OIL
PRESSURE MAX.	50 bar	1 bar	6.6 bar
SPEED MAX.	1500 min ⁻¹		
TEMPERATURE MAX.	121 °C		
DRY RUN (WITHOUT ANY MEDIA)	NO		
RECOMMENDED FILTRATION	60 micron		



SCALE: 1:1
MATERIAL: INTERFACE CONTROL DRAWING

④

HEX SIZES		WRENCHES	
UNITS	"A"	30mm	1/8"
METRIC [mm]	30-0.13	✓	✗
IMPERIAL [in]	1.125-0.006	✓	✓

ISSUE/MODIFICATION	ECO	DATE	SIGN	DATE	NAME	TITLE:	NO.	SHEET
C	SEE ECO	058092	11/20	MSk	APPD.	DEUBLIN UNION	157-000-001012	A3
B	SEE ECO	056931	08/20	RMika				
A WAS 150PSI AND 10BAR								
UNLESS SPECIFICALLY TOLERANCED, ALL DIMENSIONS ARE CONSIDERED REFERENCE								