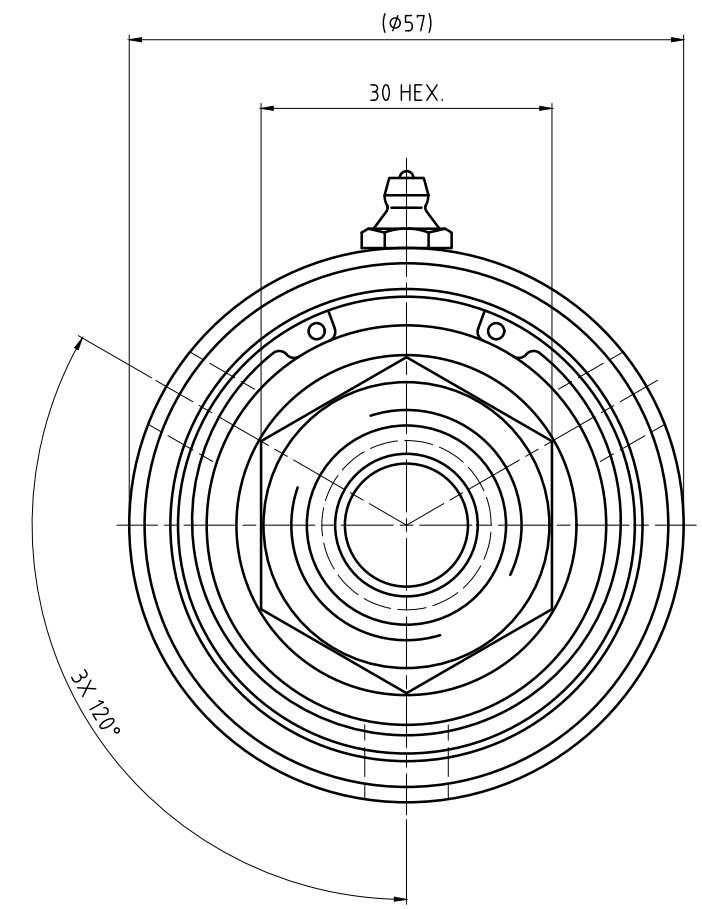
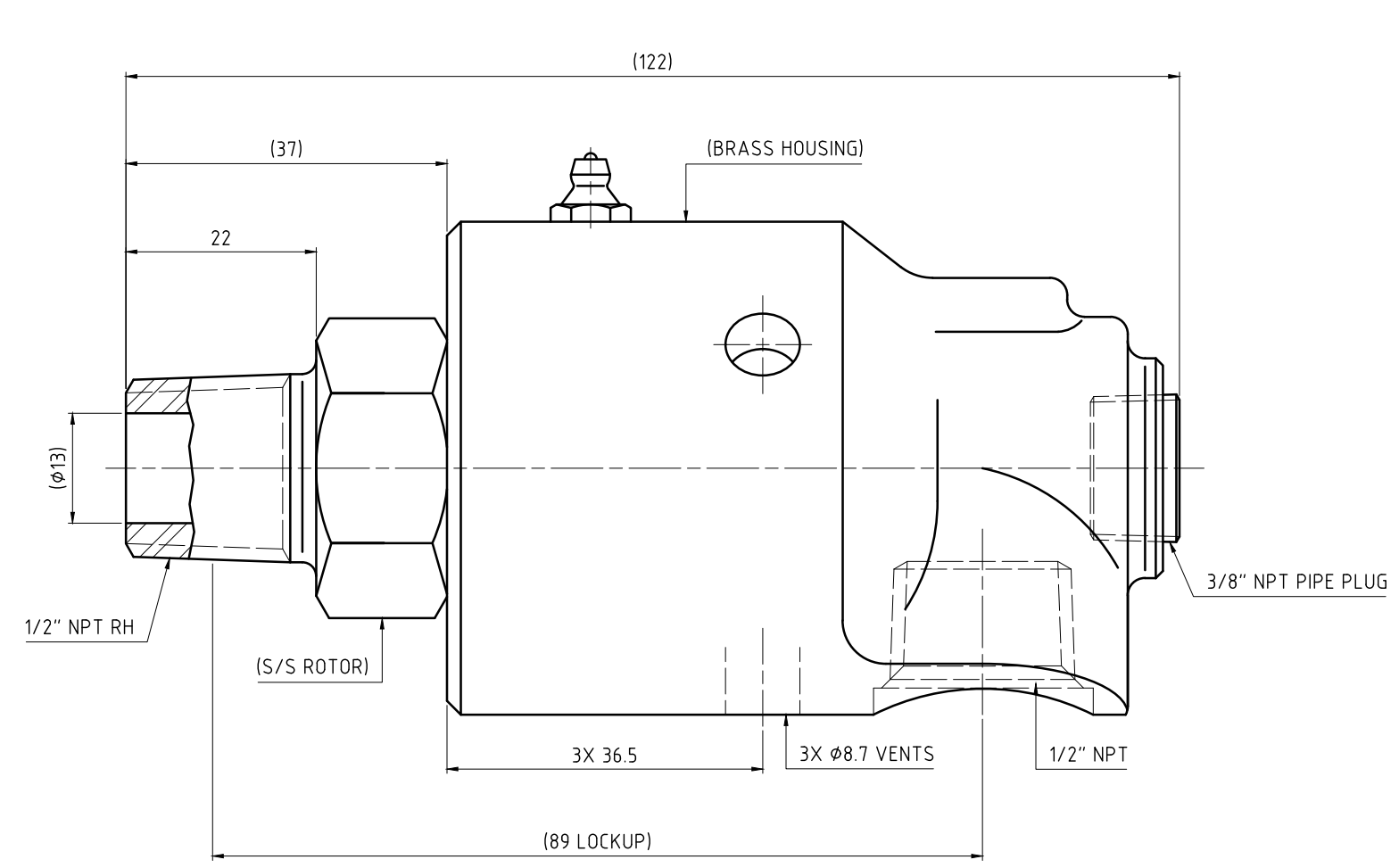




CONFIDENTIAL
 THIS DOCUMENT CONTAINS CONFIDENTIAL AND PROPRIETARY
 INFORMATION OF DEUBLIN COMPANY. COPYING, USE,
 TRANSMISSION, DISTRIBUTION, AND DISCLOSURE ARE SUBJECT
 TO THE TERMS AND CONDITIONS CONTAINED IN YOUR
 AGREEMENT WITH DEUBLIN COMPANY. ALL RIGHTS RESERVED.



OPERATING DATA:
 HOT OIL SERVICE
 10 bar MAX. PRESSURE
 1500 RPM MAX. SPEED
 160°C MAX. MEDIA TEMPERATURE

		PROJECTION:	SCALE: 2:1
			MATERIAL: INTERFACE CONTROL DRAWING
DATE	NAME	TITLE: DEUBLIN UNION	
DRN. 03/24/09	GA	NO. 155-1003-001	
ENGR. 03/24/09	GA	SHEET A3	
APPD.		UNLESS SPECIFICALLY TOLERANCED, ALL DIMENSIONS ARE CONSIDERED REFERENCE	
ISSUE	MODIFICATION	ECO	DATE
			SIGN