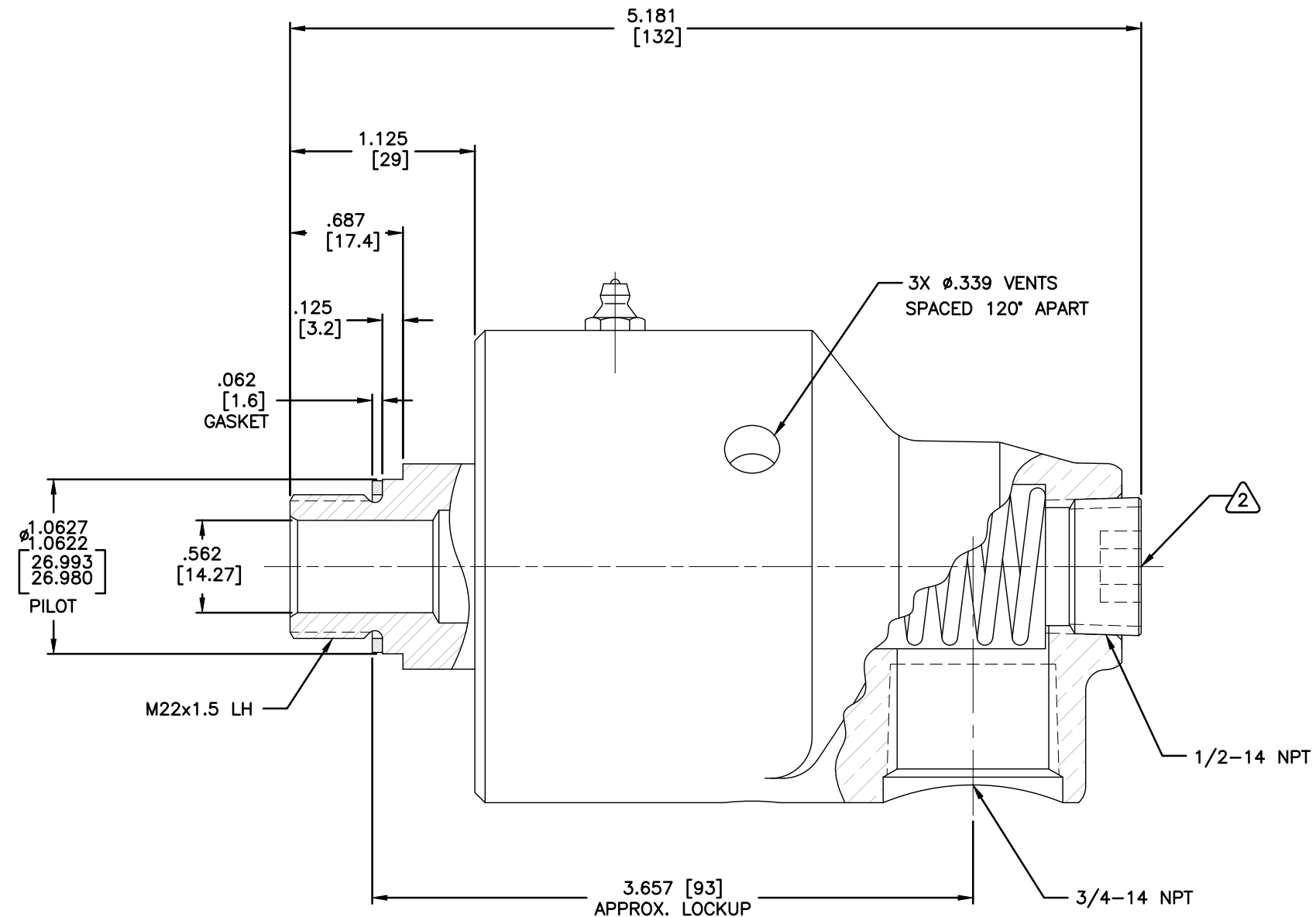
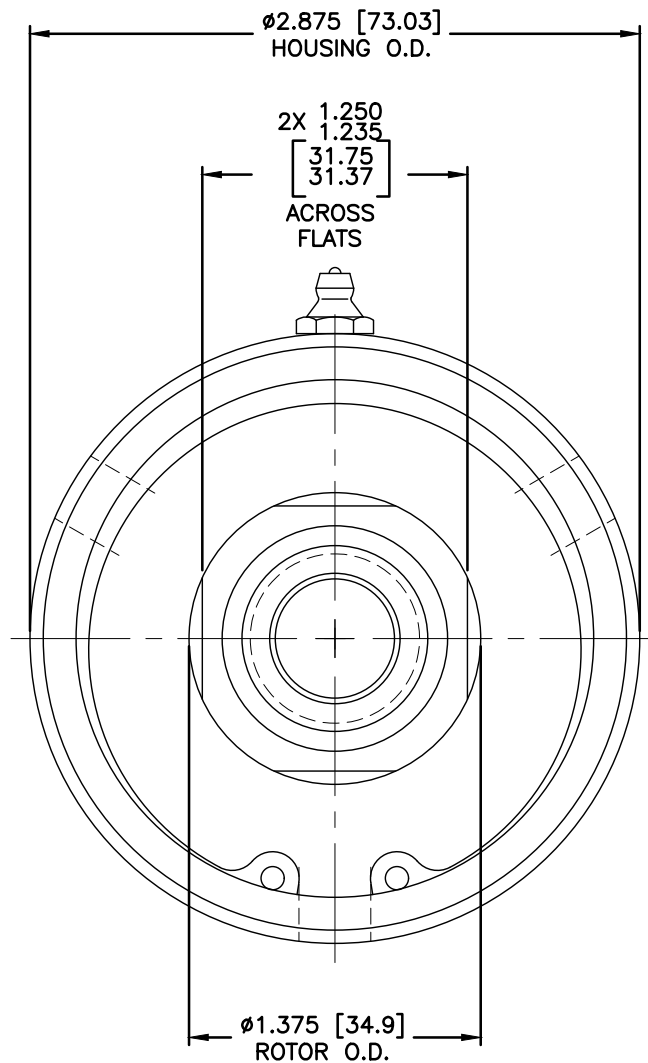


NOTES:

- 1 - WHEN ORDERING FROM DEUBLIN USE PART NUMBER: 255-265-503.
- 2 - PLUG INSTALLED HAND TIGHT FROM FACTORY. IF PORT IS NOT UTILIZED, TIGHTEN BEFORE USE.



CONFIDENTIAL
 THIS DOCUMENT CONTAINS CONFIDENTIAL AND PROPRIETARY INFORMATION OF DEUBLIN COMPANY. COPYING, USE, TRANSMISSION, DISTRIBUTION, AND DISCLOSURE ARE SUBJECT TO THE TERMS AND CONDITIONS CONTAINED IN YOUR AGREEMENT WITH DEUBLIN COMPANY. ALL RIGHTS RESERVED.

EQUIPMENT REF:				SCALE	1.66:1	DWG SIZE	C
ASSY/TEST FIXTURES REQUIRED:				DRN	RM	10/18/05	
				ENGR	ARS	10/18/05	
				APPD	ARS	10/18/05	
				UNLESS SPECIFICALLY TOLERANCED, ALL DIMENSIONS ARE REFERENCE			
				DIMENSIONS IN [] ARE IN MILLIMETERS.			
LET.	REVISION	ECO	DATE	SIGN	DEUBLIN COMPANY WAUKEGAN, ILLINOIS, U.S.A. TITLE: INTERFACE CONTROL DRAWING FOR DEUBLIN UNION 255-265-503 NO. 255-265-503-IC C.A.D. DRAWING		