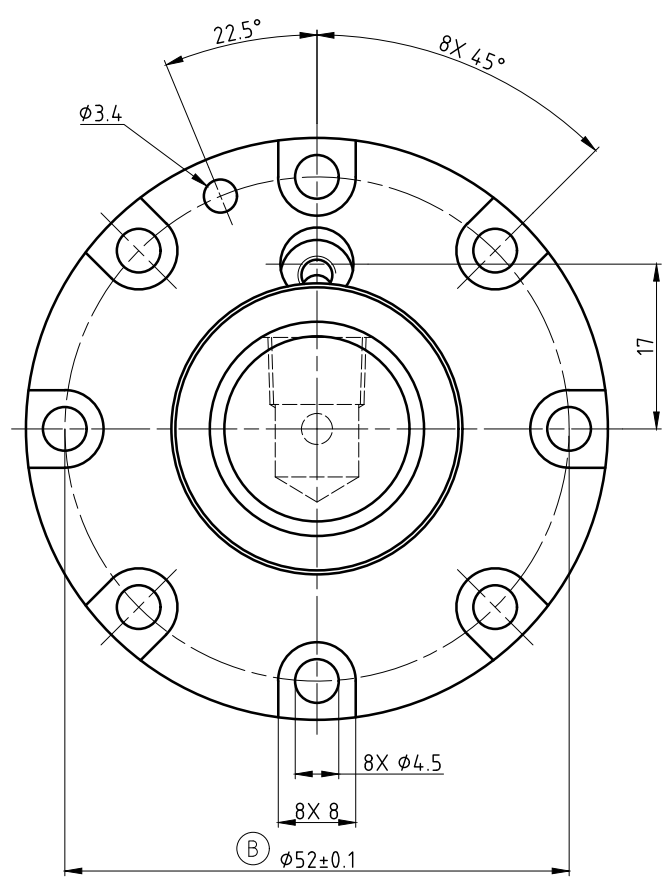
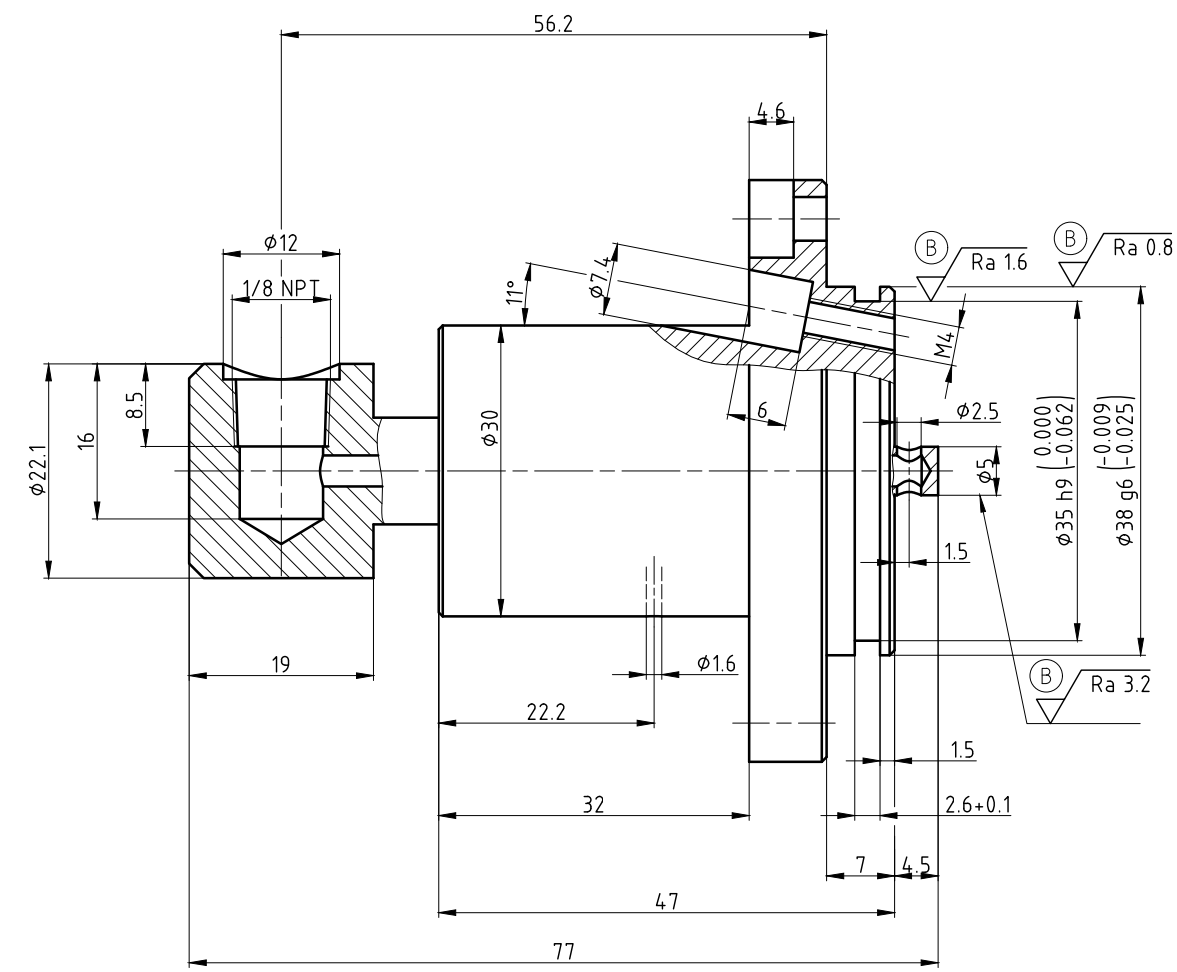
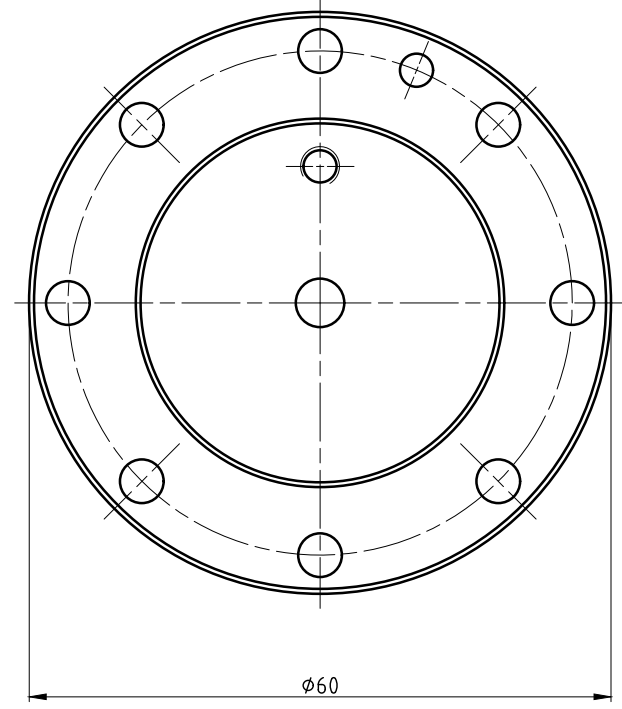


CONFIDENTIAL
 THIS DOCUMENT CONTAINS CONFIDENTIAL AND PROPRIETARY
 INFORMATION OF DEUBLIN COMPANY. COPYING, USE,
 TRANSMISSION, DISTRIBUTION, AND DISCLOSURE ARE SUBJECT
 TO THE TERMS AND CONDITIONS CONTAINED IN YOUR
 AGREEMENT WITH DEUBLIN COMPANY. ALL RIGHTS RESERVED.

(A) NOTES:

1 - CONTACT DEUBLIN OR VISIT WWW.DEUBLIN.COM
 FOR INSTRUCTION MANUAL: 040-555



OPERATING DATA			
MEDIA	AIR	HYDRAULIC	VACUUM
PRESSURE MAX.	10 bar	70 bar	6.7 kPa
(A) SPEED MAX.	10000 min ⁻¹		
TEMPERATURE MAX.	120 °C		
DRY RUN (WITHOUT ANY MEDIA)	NO		

DEUBLIN
 Engineered for Performance

PROJECTION:

SCALE: 2:1

MATERIAL: INTERFACE CONTROL DRAWING

TITLE: DEUBLIN ROTATING UNION
 DEUBLIN Drehdurchführung

NO. 1005-247-001

SHEET A2

DATE	NAME	TITLE
DRN. 18.02.2013	CD	DEUBLIN ROTATING UNION DEUBLIN Drehdurchführung
ENGR. 20.02.2013	CW	
APPD.		

ISSUE	MODIFICATION	ECO	DATE	SIGN
B	PROGRESS/RELEASE	033916	07/15	CD
A	WAS 5000 RPM NOTE	032952	04/15	CW

UNLESS SPECIFICALLY TOLERANCED, ALL DIMENSIONS ARE CONSIDERED REFERENCE