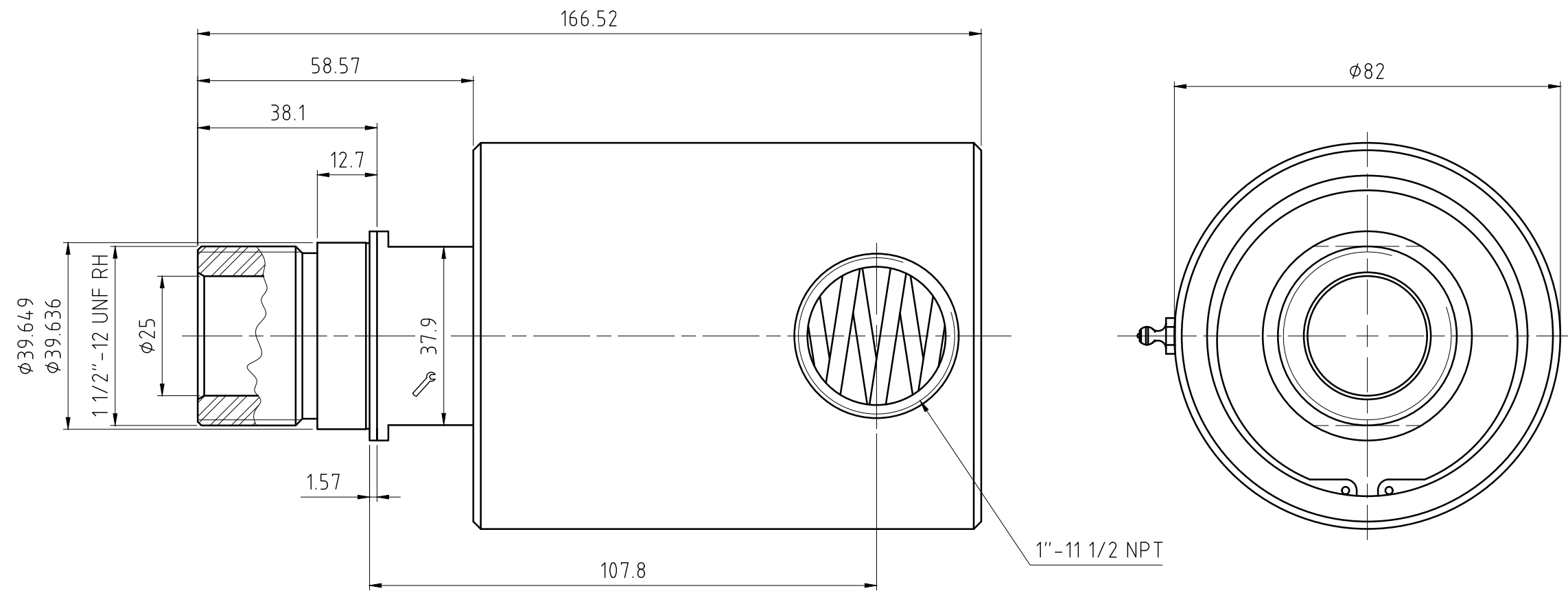
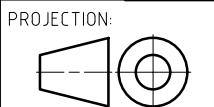


CONFIDENTIAL
 THIS DOCUMENT CONTAINS CONFIDENTIAL AND PROPRIETARY
 INFORMATION OF DEUBLIN COMPANY. COPYING, USE,
 TRANSMISSION, DISTRIBUTION, AND DISCLOSURE ARE SUBJECT
 TO THE TERMS AND CONDITIONS CONTAINED IN YOUR
 AGREEMENT WITH DEUBLIN COMPANY. ALL RIGHTS RESERVED.



OPERATING DATA		
MEDIA	HYDRAULIC OIL	
MAX. PRESSURE	1,000 PSI	70 bar
MAX. SPEED	3,000 RPM	3,000/min
MAX. TEMPERATURE	250°F	120°C



PROJECTION: SCALE: 1:1
 MATERIAL: INTERFACE CONTROL DRAWING

ISSUE	MODIFICATION	ECO	DATE	SIGN	DATE	NAME
					06/07/2013	R. Abarca
					06/07/2013	T. Wilson

TITLE: DEUBLIN UNION
 NO. 355-360-016
 SHEET A3

UNLESS SPECIFICALLY TOLERANCED, ALL DIMENSIONS ARE CONSIDERED REFERENCE