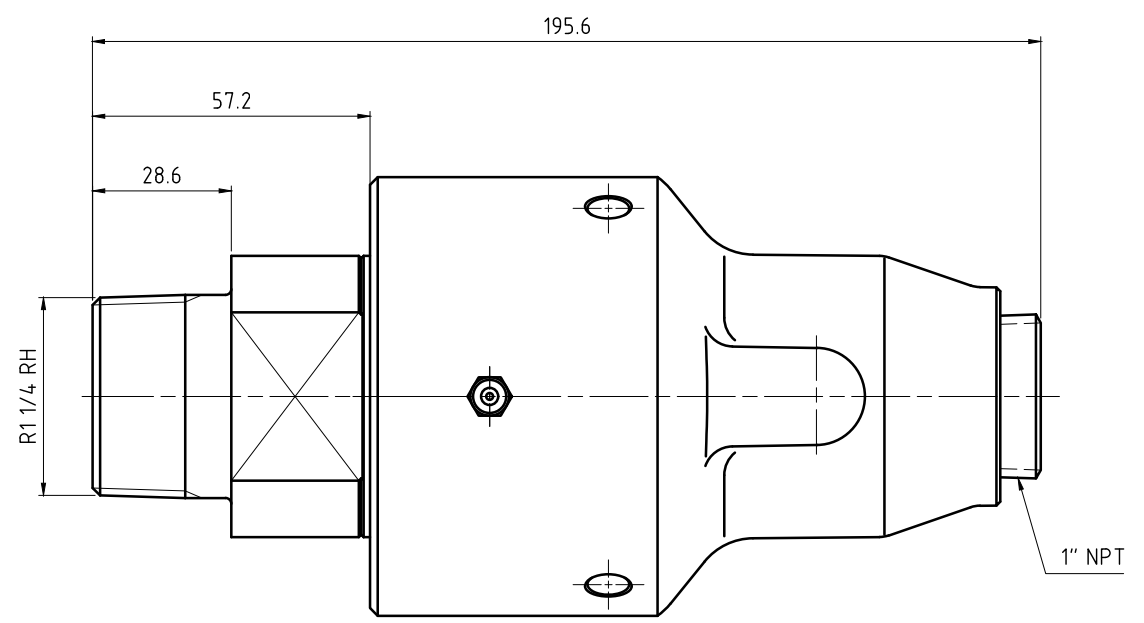
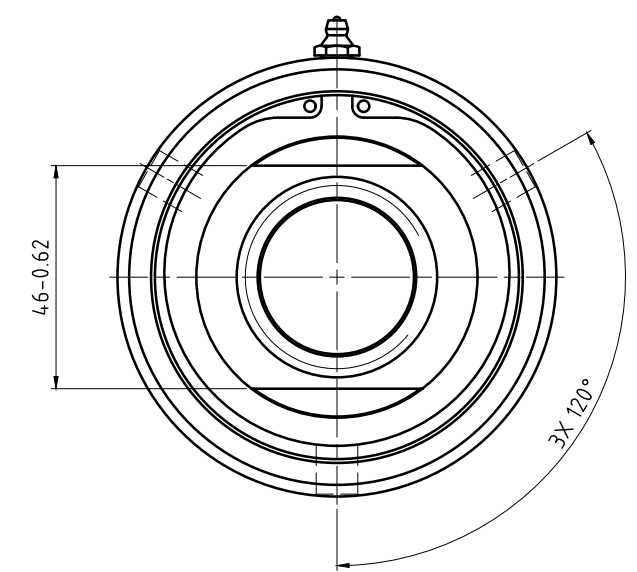
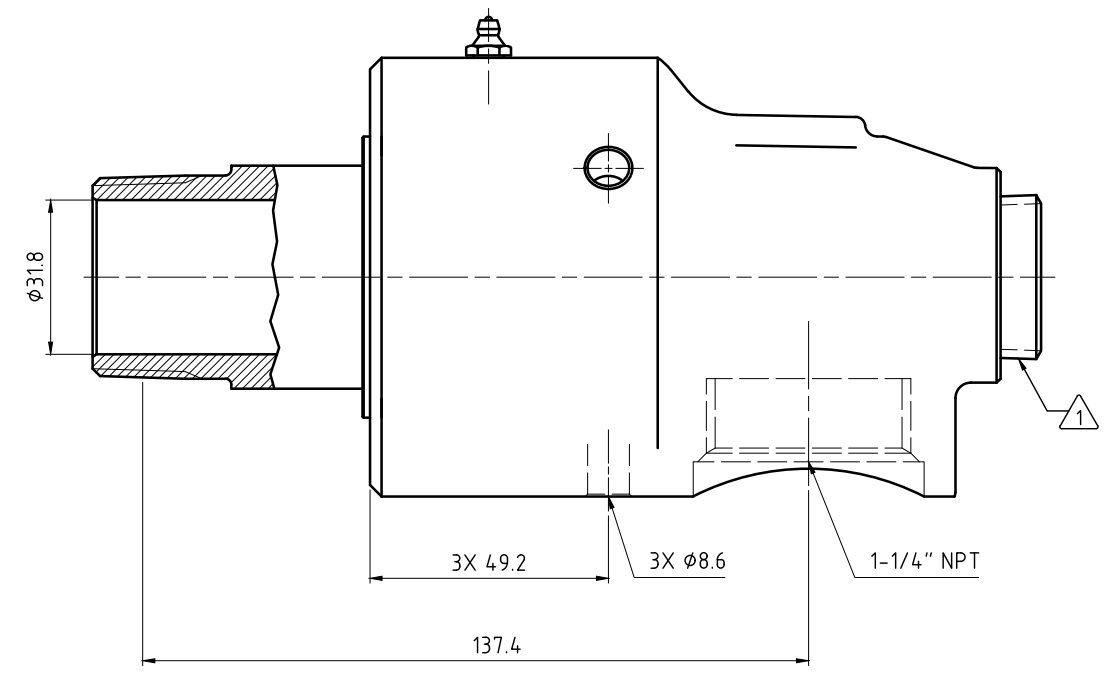
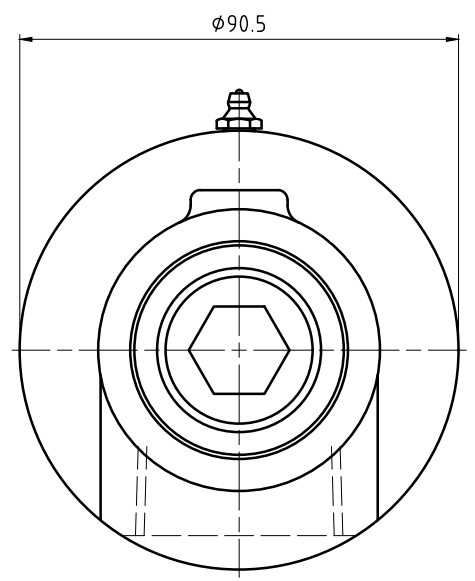


CONFIDENTIAL
 THIS DOCUMENT CONTAINS CONFIDENTIAL AND PROPRIETARY
 INFORMATION OF DEUBLIN COMPANY. COPYING, USE,
 TRANSMISSION, DISTRIBUTION, AND DISCLOSURE ARE SUBJECT
 TO THE TERMS AND CONDITIONS CONTAINED IN YOUR
 AGREEMENT WITH DEUBLIN COMPANY. ALL RIGHTS RESERVED.

NOTES:

① - PLUG INSTALLED HAND TIGHT FROM FACTORY. IF PORT IS NOT UTILIZED,
 TIGHTEN BEFORE USE.



| OPERATING DATA | | |
|--------------------|----------|----------|
| MEDIA | WATER | |
| MAX WATER PRESSURE | 750 PSI | 51 bar |
| MAX WATER TEMP. | 250°F | 121°C |
| MAX SPEED | 1500 RPM | 1500/min |

| | | | |
|---|----------------|-----------|-------------------------------------|
| | PROJECTION: | | SCALE: 1:1 |
| | | | MATERIAL: INTERFACE CONTROL DRAWING |
| | DATE | NAME | TITLE: |
| | DRN. 07/06/11 | N. Reyna | DEUBLIN UNION |
| | ENGR. 07/06/11 | T. Wilson | |
| | APPD. | | |
| UNLESS SPECIFICALLY TOLERANCED, ALL DIMENSIONS ARE CONSIDERED REFERENCE | | | NO. 525-000-250 |
| ISSUE | MODIFICATION | ECO | DATE |
| | | | SIGN |
| | | | SHEET A2 |