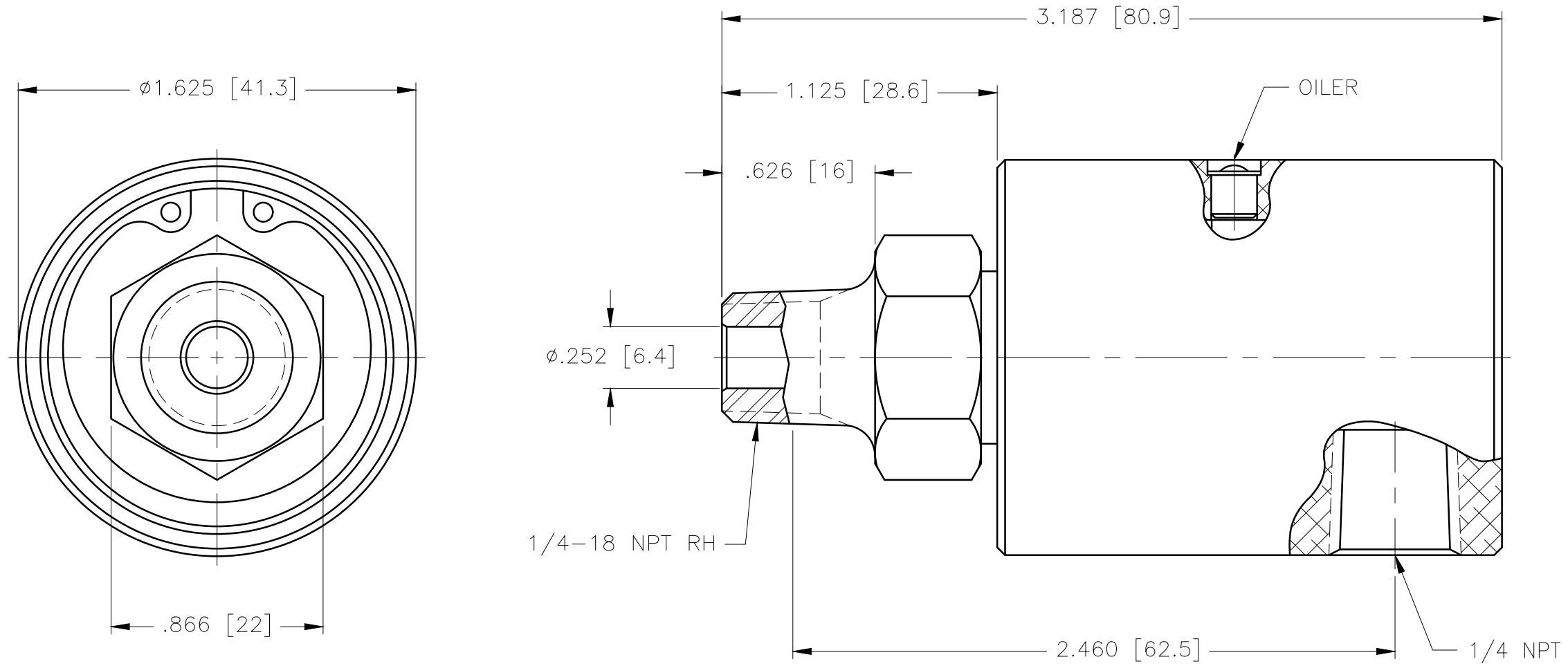
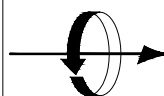


CONFIDENTIAL
 THIS DOCUMENT CONTAINS CONFIDENTIAL AND PROPRIETARY INFORMATION OF DEUBLIN COMPANY. COPYING, USE, TRANSMISSION, DISTRIBUTION, AND DISCLOSURE ARE SUBJECT TO THE TERMS AND CONDITIONS CONTAINED IN YOUR AGREEMENT WITH DEUBLIN COMPANY. ALL RIGHTS RESERVED.



OPERATING DATA		
MEDIA	GREASE	
MAX PRESSURE	2200 PSI	152 bar
MAX SPEED	250 RPM	250/min
MAX TEMPERATURE	250°F	121°C

SCALE	2:1	DWG SIZE		UNLESS SPECIFICALLY TOLERANCED, ALL DIMENSIONS ARE REFERENCE	 DEUBLIN COMPANY WAUKEGAN, ILLINOIS, U.S.A.
DRN	NR	03/26/09			
ENGR	TW	03/26/09			
APPD	TW	03/26/09			
PART NO.				DIMENSIONS IN [] ARE IN MILLIMETERS.	TITLE: INTERFACE CONTROL DRAWING OF DEUBLIN UNION 1102-195-081
1102-195-081					DWG NO. 1102-195-081
CUSTOMER					C.A.D DRAWING
LET.	REVISION	ECO	DATE	SIGN	