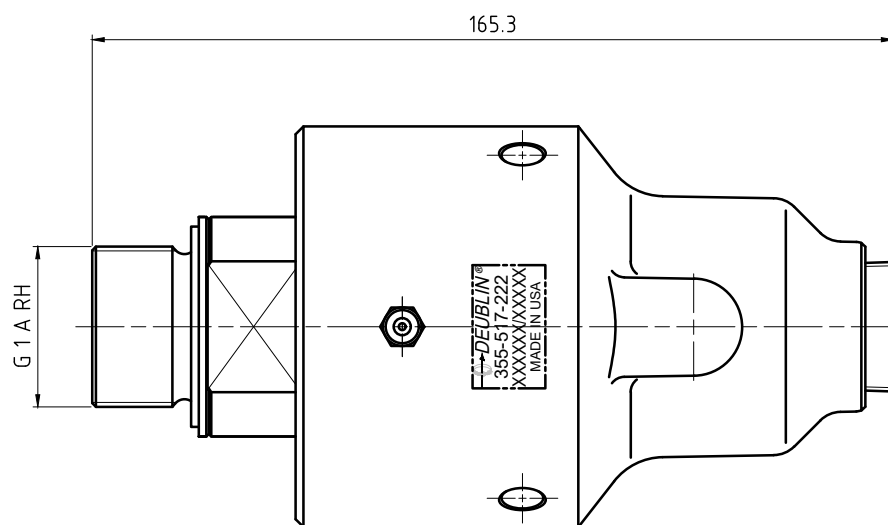
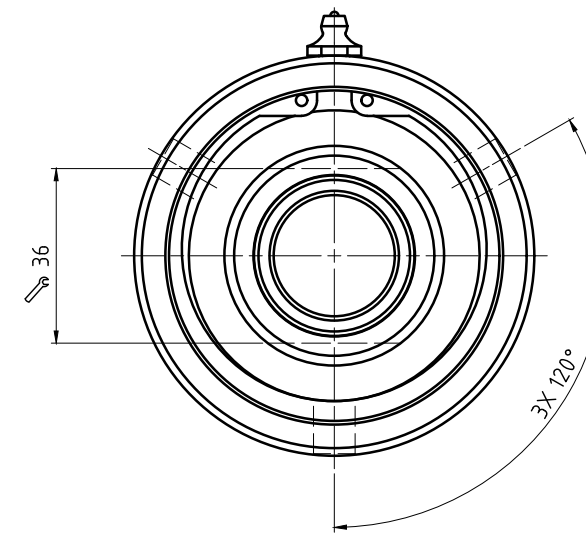
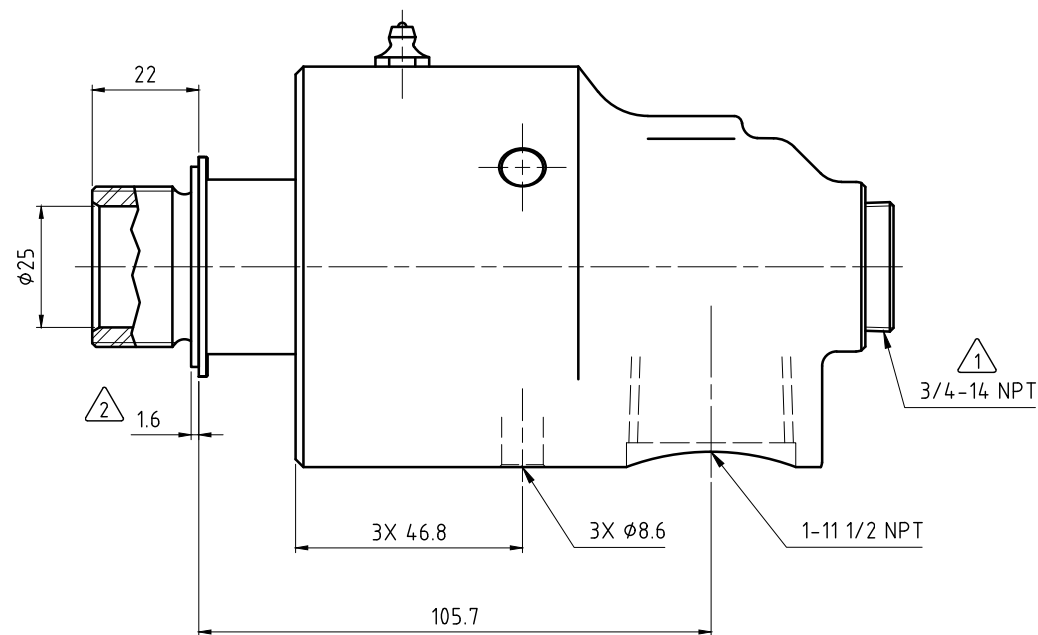
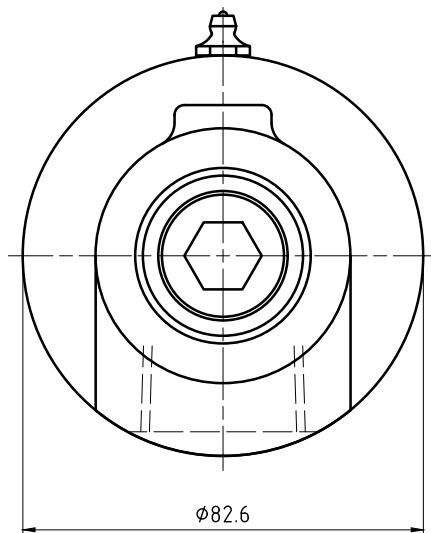


CONFIDENTIAL
 THIS DOCUMENT CONTAINS CONFIDENTIAL AND PROPRIETARY
 INFORMATION OF DEUBLIN COMPANY. COPYING, USE,
 TRANSMISSION, DISTRIBUTION, AND DISCLOSURE ARE SUBJECT
 TO THE TERMS AND CONDITIONS CONTAINED IN YOUR
 AGREEMENT WITH DEUBLIN COMPANY. ALL RIGHTS RESERVED.

NOTES:

- ① - PLUG INSTALLED HAND TIGHT FROM FACTORY. IF PORT IS NOT UTILIZED, TIGHTEN BEFORE USE.
- ② - GASKET THICKNESS.



OPERATING DATA		
MEDIA	WATER	
MAX WATER PRESSURE	750 PSI	51 bar
MAX WATER TEMP.	320°F	160°C
MAX SPEED	3000 RPM	3000/min



PROJECTION:
 SCALE: 1:1
 MATERIAL: INTERFACE CONTROL DRAWING

DATE	NAME	TITLE
DRN. 12/15/15	N. Reyna	DEUBLIN UNION
ENGR. 12/15/15	T. Wilson	
APPD.		

NO. 355-517-222
 SHEET A2

ISSUE MODIFICATION ECO DATE SIGN
 UNLESS SPECIFICALLY TOLERANCED, ALL DIMENSIONS ARE CONSIDERED REFERENCE