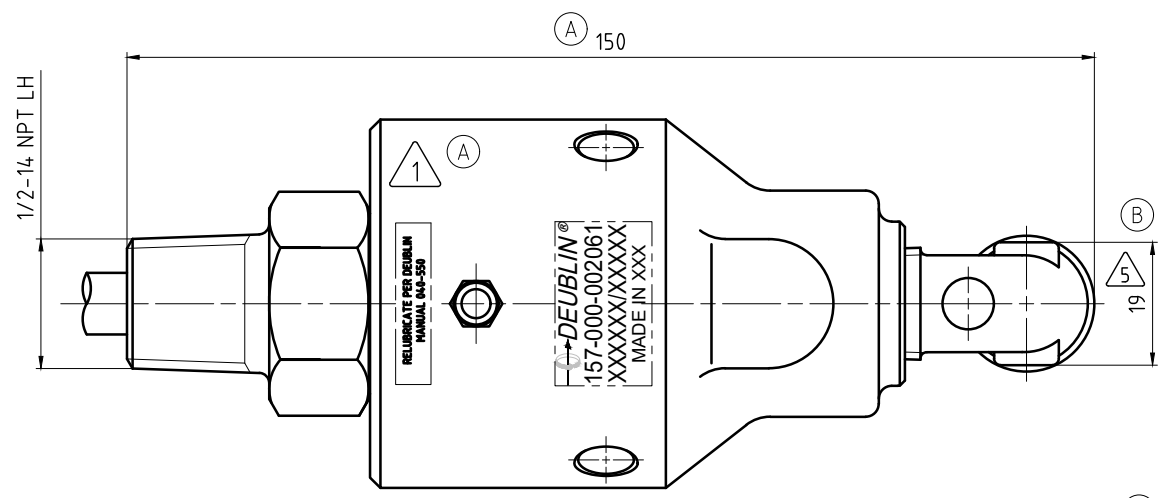
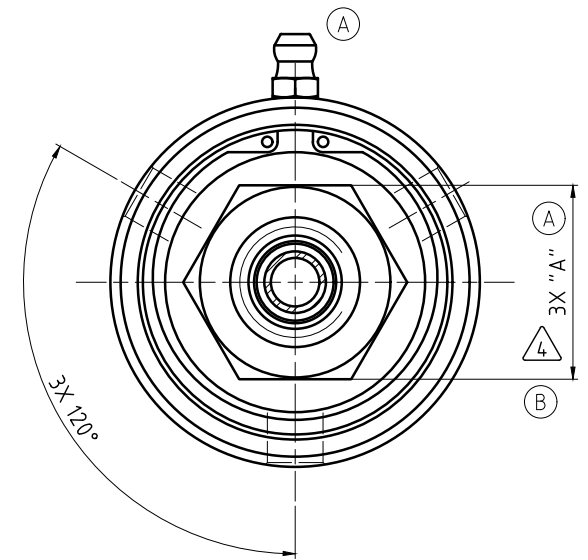
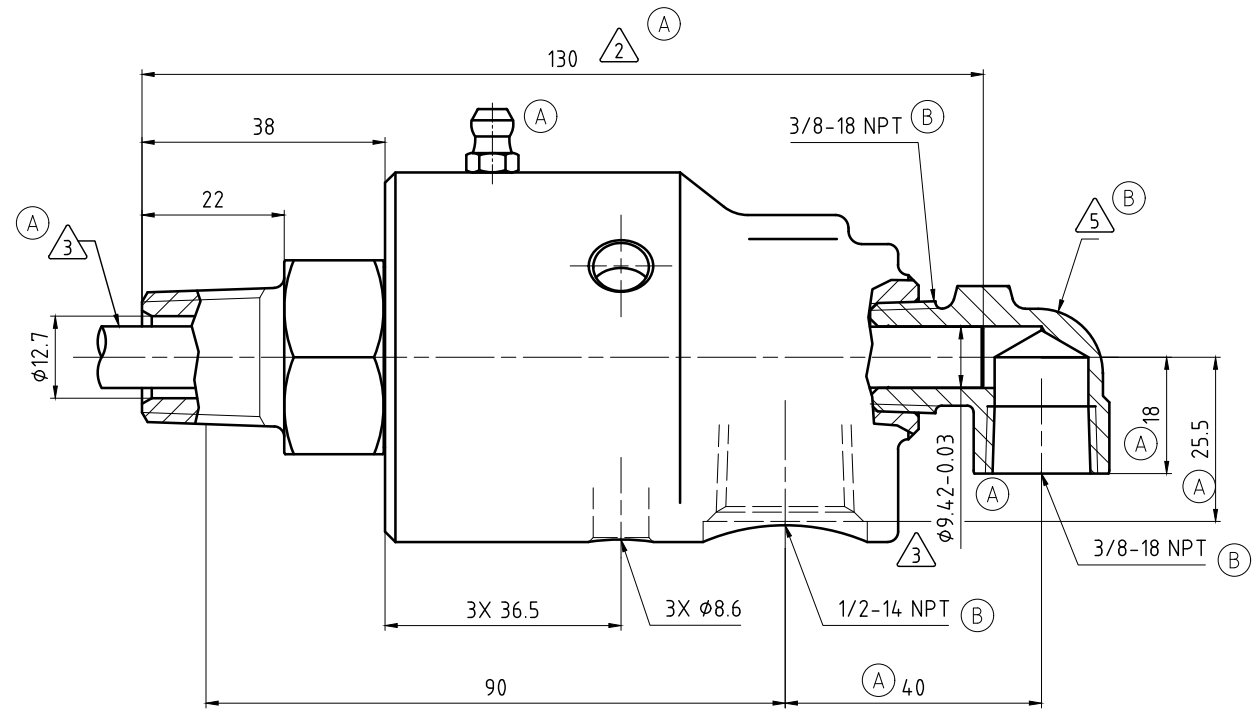
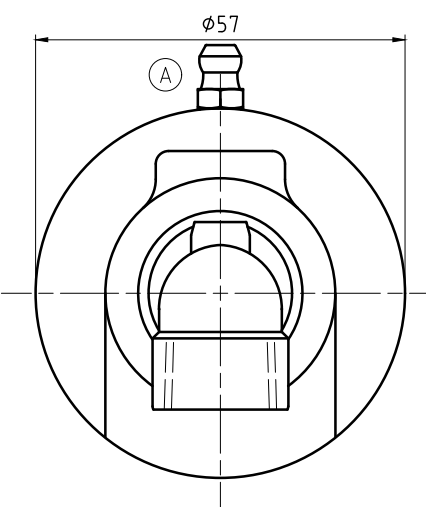


CONFIDENTIAL
 THIS DOCUMENT CONTAINS CONFIDENTIAL AND PROPRIETARY INFORMATION OF DEUBLIN COMPANY. COPYING, USE, TRANSMISSION, DISTRIBUTION, AND DISCLOSURE ARE SUBJECT TO THE TERMS AND CONDITIONS CONTAINED IN YOUR AGREEMENT WITH DEUBLIN COMPANY. ALL RIGHTS RESERVED.

NOTES:

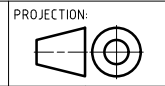
- (A) 1 - CONTACT DEUBLIN OR VISIT WWW.DEUBLIN.COM FOR INSTRUCTION MANUAL: 040-550
- 2 - PIPE LENGTH.
- 3 - PIPE SUPPLIED BY CUSTOMER.
- (A) 4 - DEPENDING ON COUNTRY OF ORIGIN, HEX STOCK MAY VARY AS NOTED. SEE TABLE FOR ACCEPTABLE WRENCH SIZES.

(B) 5 - FITTING TO BE ASSEMBLED HAND-TIGHT, OR MAY BE SHIPPED UNASSEMBLED.



OPERATING DATA			
MEDIA	WATER	SATURATED STEAM (INTERMITTENT)	THERMAL OIL
PRESSURE MAX.	50 bar	1 bar	6.6 bar
SPEED MAX.	1500 min ⁻¹		
TEMPERATURE MAX.	121 °C		
DRY RUN (WITHOUT ANY MEDIA)	NO		
RECOMMENDED FILTRATION	60 micron		

UNITS	HEX SIZES	WRENCHES	
	"A"	30mm	1 1/8"
METRIC [mm]	30-0.13	✓	☒
IMPERIAL [in]	1.25-0.006	✓	✓



PROJECTION:
 SCALE: 1:0.75
 MATERIAL: INTERFACE CONTROL DRAWING

TITLE: DEUBLIN ROTATING UNION
 DEUBLIN Drehdurchführung

ISSUE/NO.	MODIFICATION	ECO	DATE	SIGN
B	SEE ECO	60341	02/21	MZe
A	SEE ECO	056312	05/20	MZe

NO. 157-000-002061
 SHEET A2

UNLESS SPECIFICALLY TOLERANCED, ALL DIMENSIONS ARE CONSIDERED REFERENCE