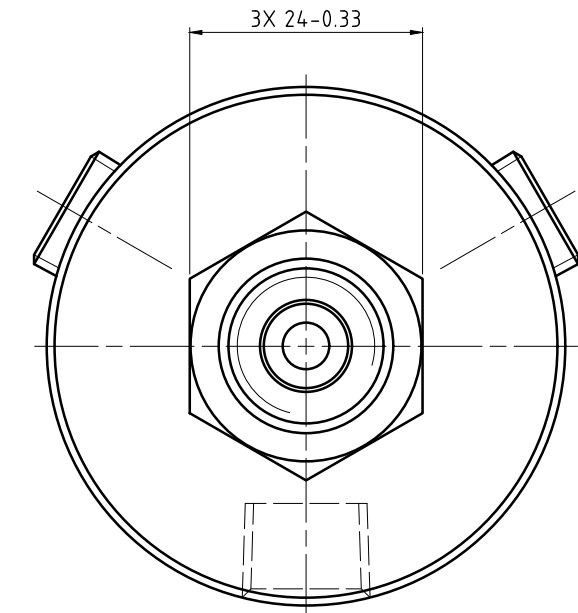
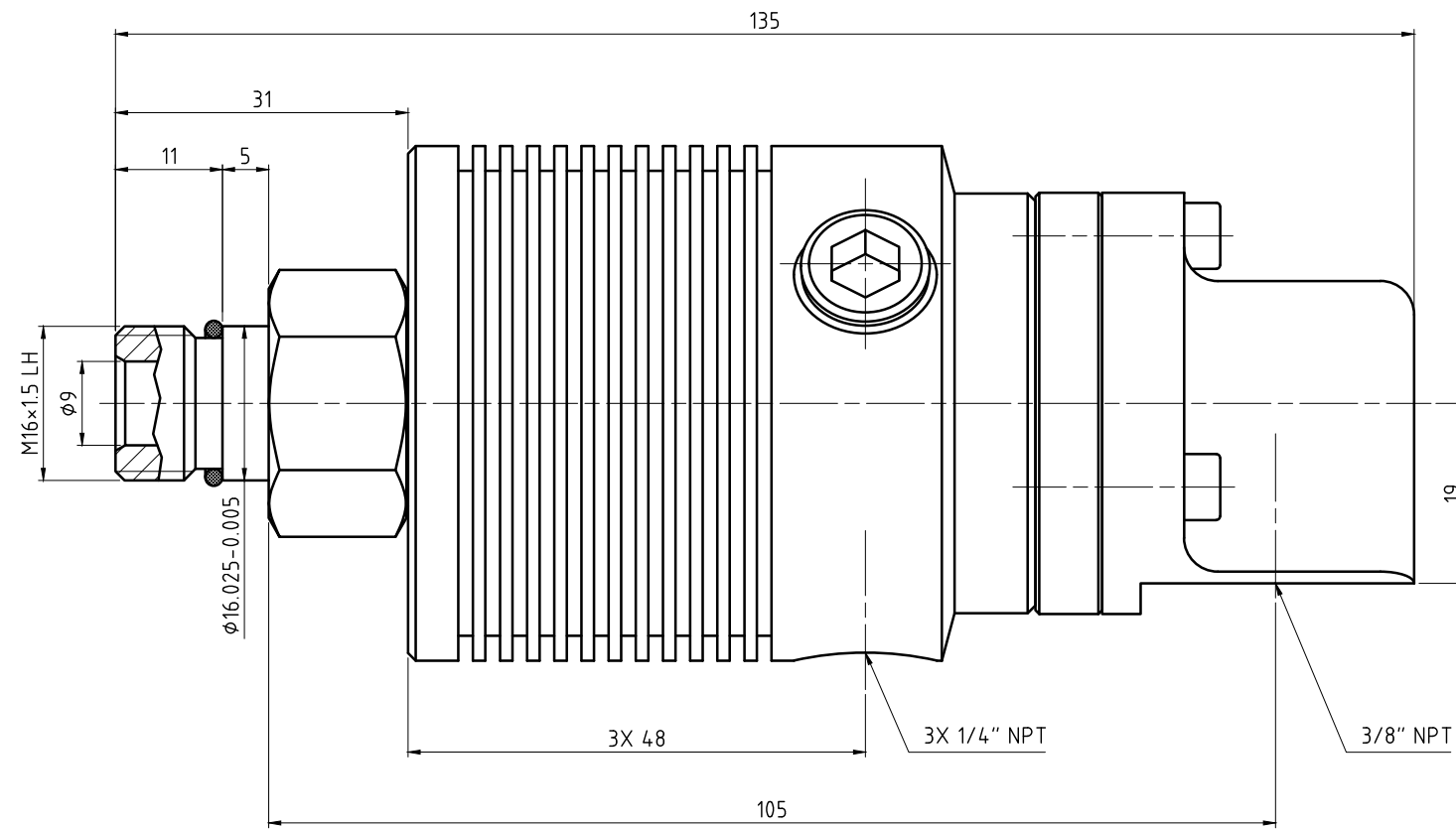
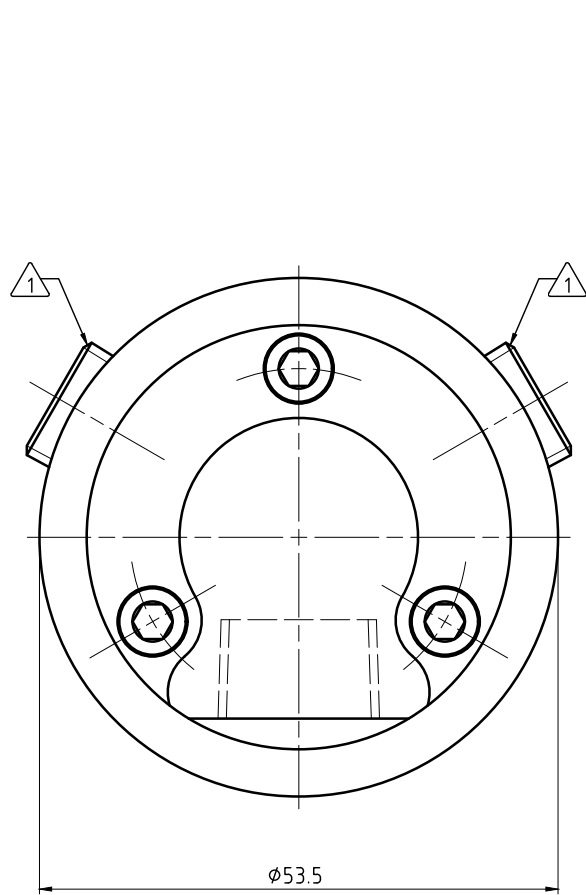


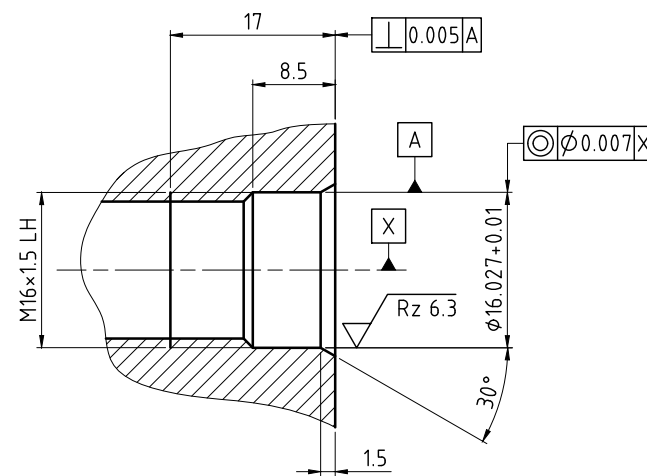
CONFIDENTIAL
 THIS DOCUMENT CONTAINS CONFIDENTIAL AND PROPRIETARY INFORMATION OF DEUBLIN COMPANY. COPYING, USE, TRANSMISSION, DISTRIBUTION, AND DISCLOSURE ARE SUBJECT TO THE TERMS AND CONDITIONS CONTAINED IN YOUR AGREEMENT WITH DEUBLIN COMPANY. ALL RIGHTS RESERVED.

NOTES:

① - PLUG INSTALLED HAND TIGHT FROM FACTORY. IF PORT IS NOT UTILIZED, TIGHTEN BEFORE USE.



CUSTOMER INTERFACE



OPERATING DATA

MEDIA	COOLANT	MQL
PRESSURE MAX.	105 bar	10 bar
SPEED MAX.	20000 min ⁻¹	20000 min ⁻¹
TEMPERATURE MAX.	70 °C	70 °C
FLOW RATE MAX.	82 l/min	2180 Nl/min
DRY RUN	UNLIMITED	



SCALE: 2:1
 MATERIAL: INTERFACE CONTROL DRAWING

ISSUE	MODIFICATION	ECO	DATE	SIGN

DATE	NAME
DRN. 05/18/12	N. Reyna
ENGR. 05/18/12	T. Wilson
APPD.	

TITLE: DEUBLIN UNION
 NO. 1109-010-192
 SHEET A2

UNLESS SPECIFICALLY TOLERANCED, ALL DIMENSIONS ARE CONSIDERED REFERENCE